

DDD Discrete

GDDR1

PV Build

2007.06.21

DATE	CHANGE NO.	REV

DRAWN	EE	DATE	POWER	DATE	INVENTEC TITLE <i>DDD-Discrete</i>
DESIGN					
CHECK					
RESPONSIBLE					
SIZE =	3	VER :			SIZE CODE DOC. NUMBER REV
FILE NAME :	XXXX-XXXXXX-XX				A3 CS 1310A21516 A01
P/N	XXXXXXXXXXXX				SHEET 1 OF 53

TABLE OF CONTENTS

PAGE

- 5- DC& BATTERY CHARGER
- 6- SELECT & BATTERY CONN
- 7- SYSTEM POWER(3V/5V)
- 8- SYSTEM POWER(+V1.8/+V1.25S)
- 9- GRAPHIC POWER(+VGFX_CORE)
- 10- SYSTEM POWER(+VCCP/+V1.5S)
- 11- CPU POWER(VCC_CORE)
- 12- DDR TERMINATION VOLTAGE
- 13- POWER(SLEEP)
- 14- POWER(SEQUENCE)

PAGE

- 15- CLOCK_GENERATOR
- 16- MEROM-1
- 17- MEROM-2
- 18- MEROM-3
- 19- THERMAL&FAN CONTROLLER
- 20- Crestline-1
- 21- Crestline-2
- 22- Crestline-3
- 23- Crestline-4
- 24- Crestline-5
- 25- Crestline-6
- 26- DDR2-DIMM0
- 27- DDR2-DIMM1
- 28- DDR2-DAMPING
- 29- VGA CONN
- 30- LCM CONN
- 31- ICH8-1
- 32- ICH8-2
- 33- ICH8-3
- 34- ICH8-4
- 35- ICH8-5

PAGE

- 36- SYSTEM BIOS&ODD EXTEND/B
- 37- HDD&ODD CONN
- 38- USB CONN
- 39- KBC
- 40- KB&TP CONN
- 41- AUDIO CODEC
- 42- MDC CONN & AUDIO JACK
- 43- NIC 10/100- CONTROLLER
- 44- NIC 10/100- RJ45 CONN
- 45- MINICARD CONN & BLUETOOTH
- 46- NEW CARD & SD/MMC
- 47- LED & BUTTON
- 48- SCREW
- 49- ATI M64S-1
- 50- ATI M64S-2
- 51- ATI M64S-3
- 52- ATI M64S-4
- 53- VIDEO RAM(GDDR1)

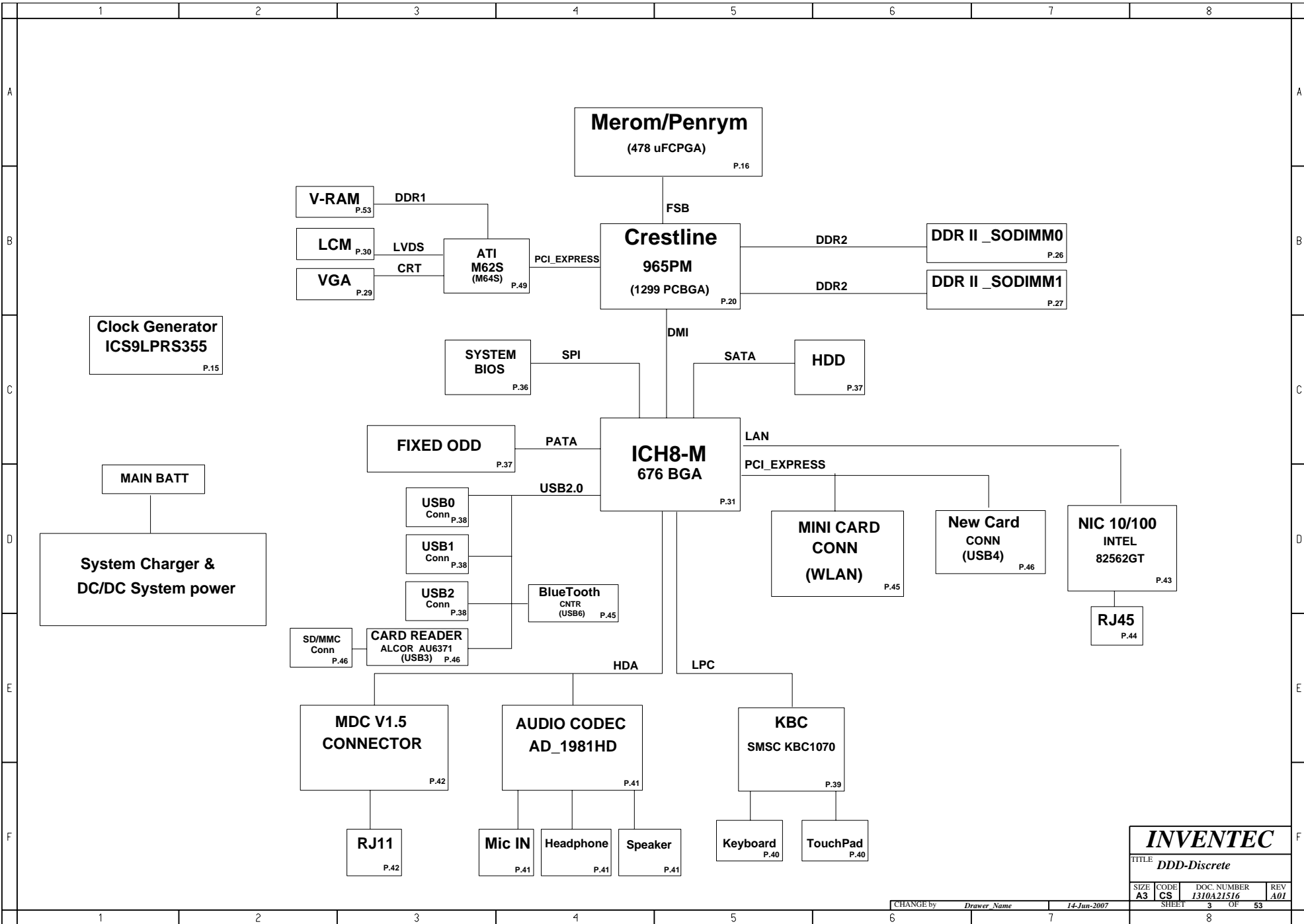
INVENTEC

TITLE *DDD-Discrete*

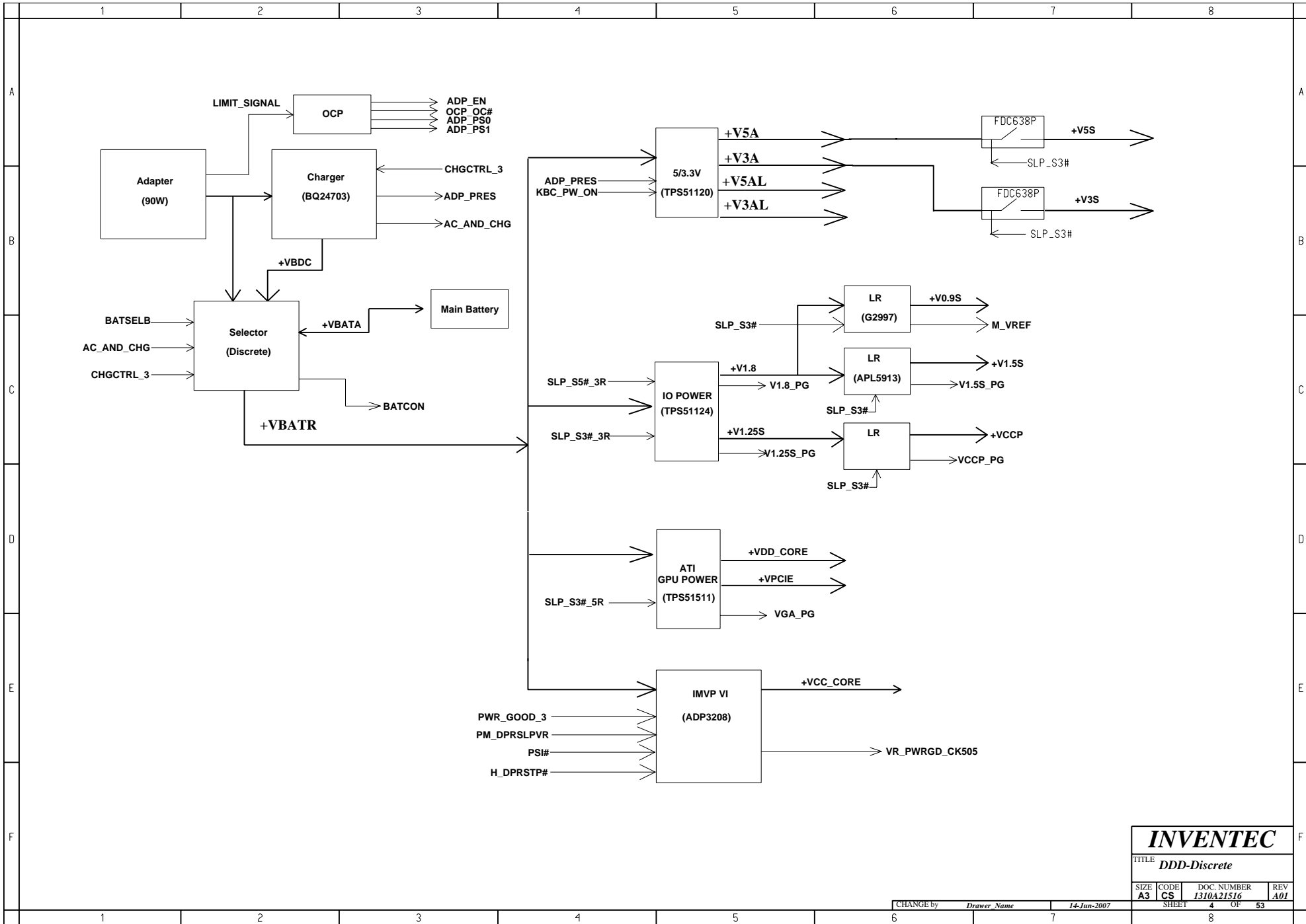
SIZE	CODE	DOC. NUMBER	REV
A3	CS	1310A21516	A01

CHANGE by *Drawer Name* 14-Jun-2007

SHEET 2 OF 53



INVENTEC			
TITLE <i>DDD-Discrete</i>			
SIZE A3	CODE CS	DOC. NUMBER <i>1310A21516</i>	REV A01
CHANGE by <i>Drawer Name</i>		14-Jun-2007	
SHEET 3		OF 53	

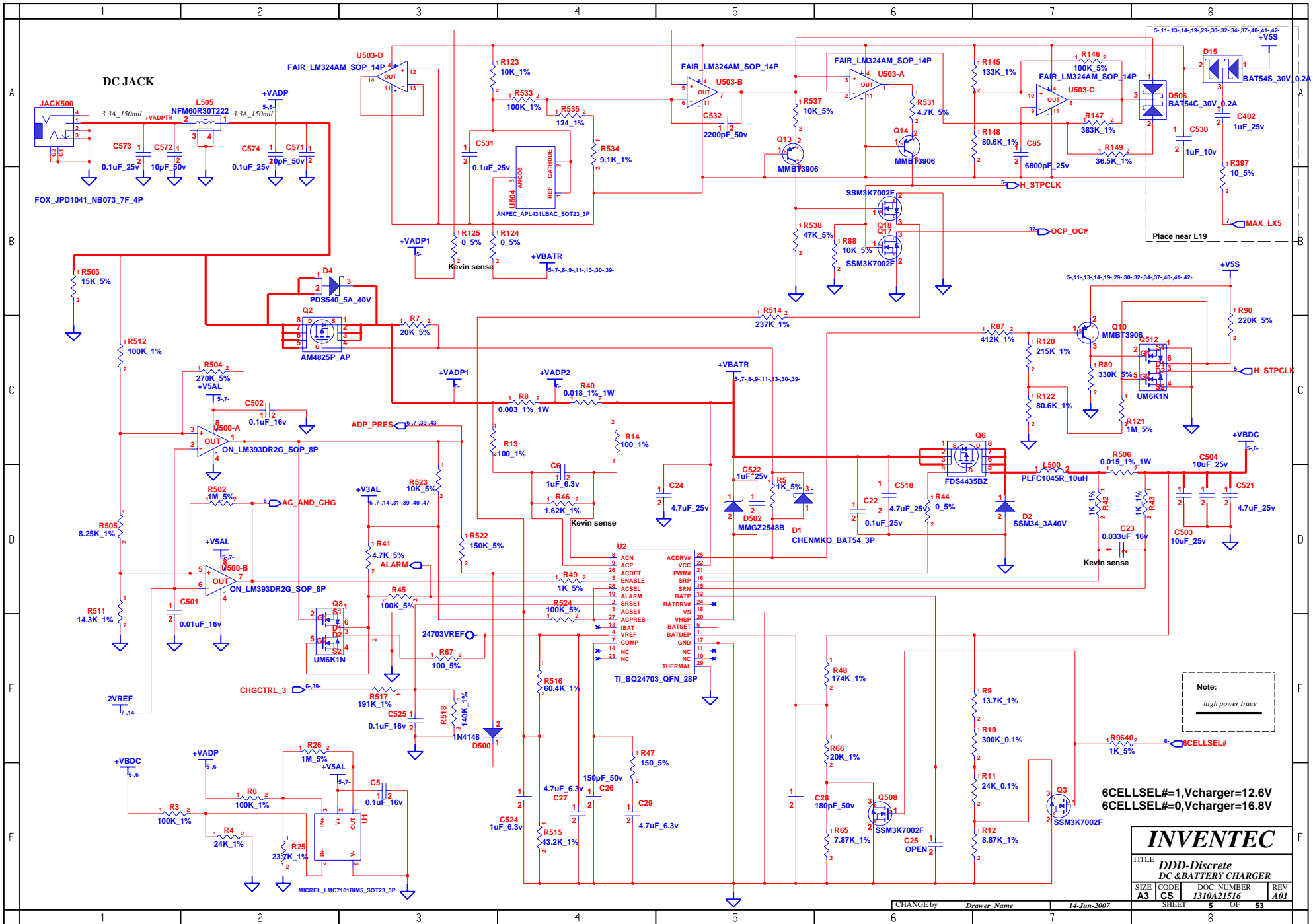


INVENTEC

TITLE **DDD-Discrete**

SIZE	CODE	DOC. NUMBER	REV
A3	CS	1310A21516	A01

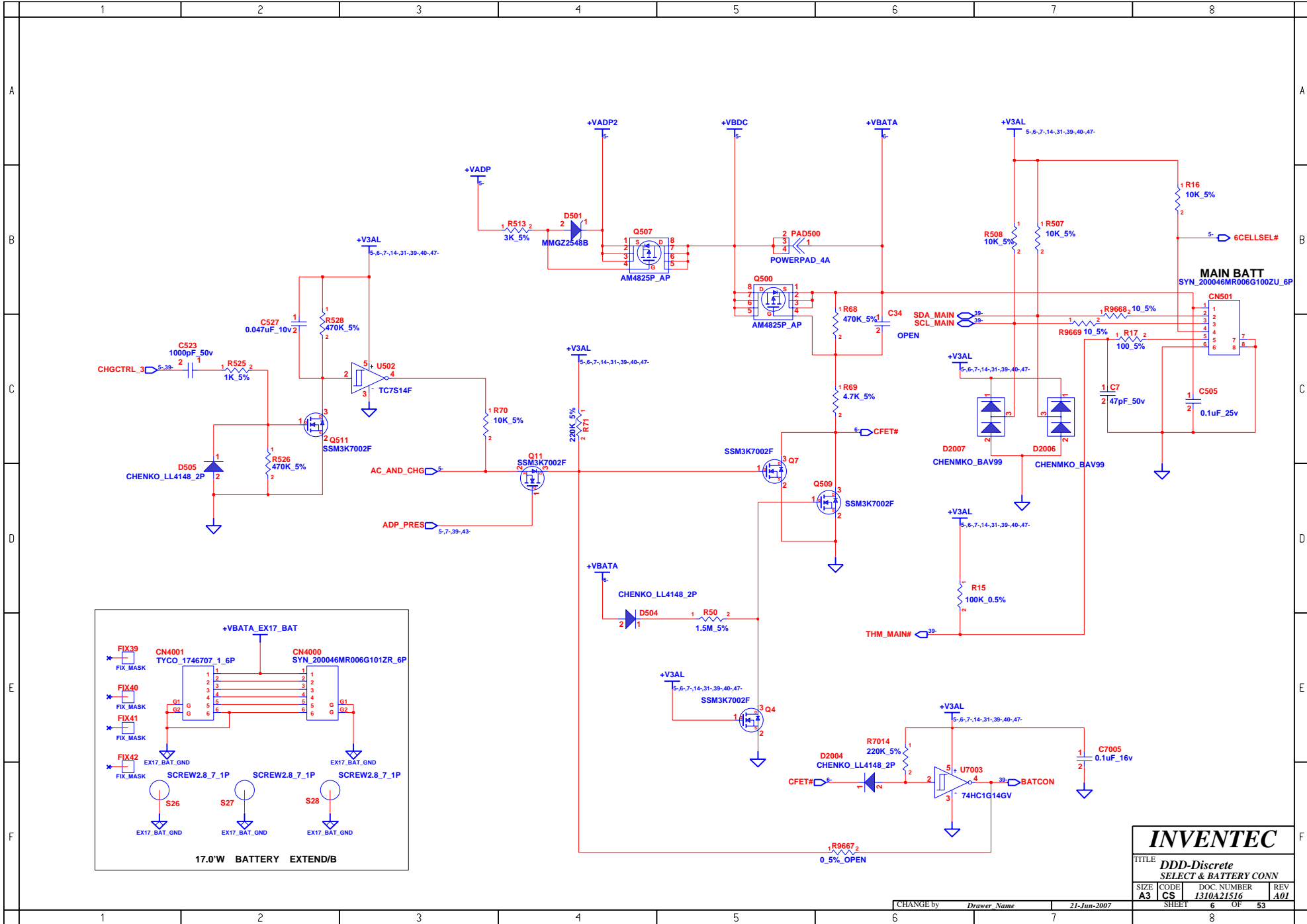
CHANGE by *Drawer Name* 14-Jun-2007 SHEET 4 OF 53



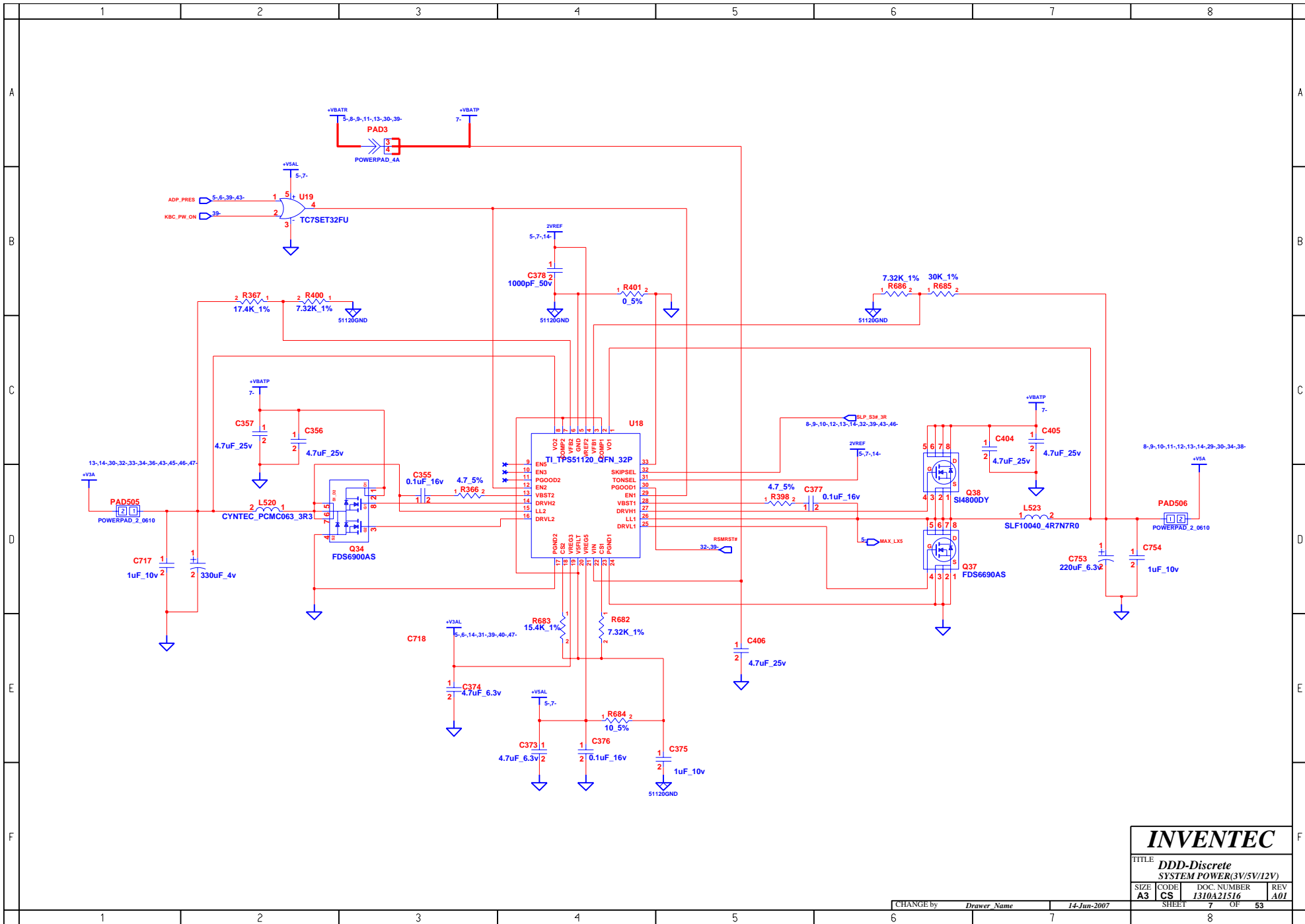
6CELLSEL#=1,Vcharger=12.6V
6CELLSEL#=0,Vcharger=16.8V

Note:
high power trace

INVENTEC			
TITLE DDD-Discrete DC & BATTERY CHARGER			
SIZE A3	CODE CS	DOC. NUMBER 1310A21516	REV A01
CHANGE by Drawer Name		14-Jun-2007	SHEET 5 OF 53



INVENTEC			
TITLE DDD-Discrete SELECT & BATTERY CONN			
SIZE A3	CODE CS	DOC NUMBER I310A21516	REV A01
CHANGE by <i>Drawer Name</i>		21-Jun-2007	
SHEET 6		OF 53	



INVENTEC

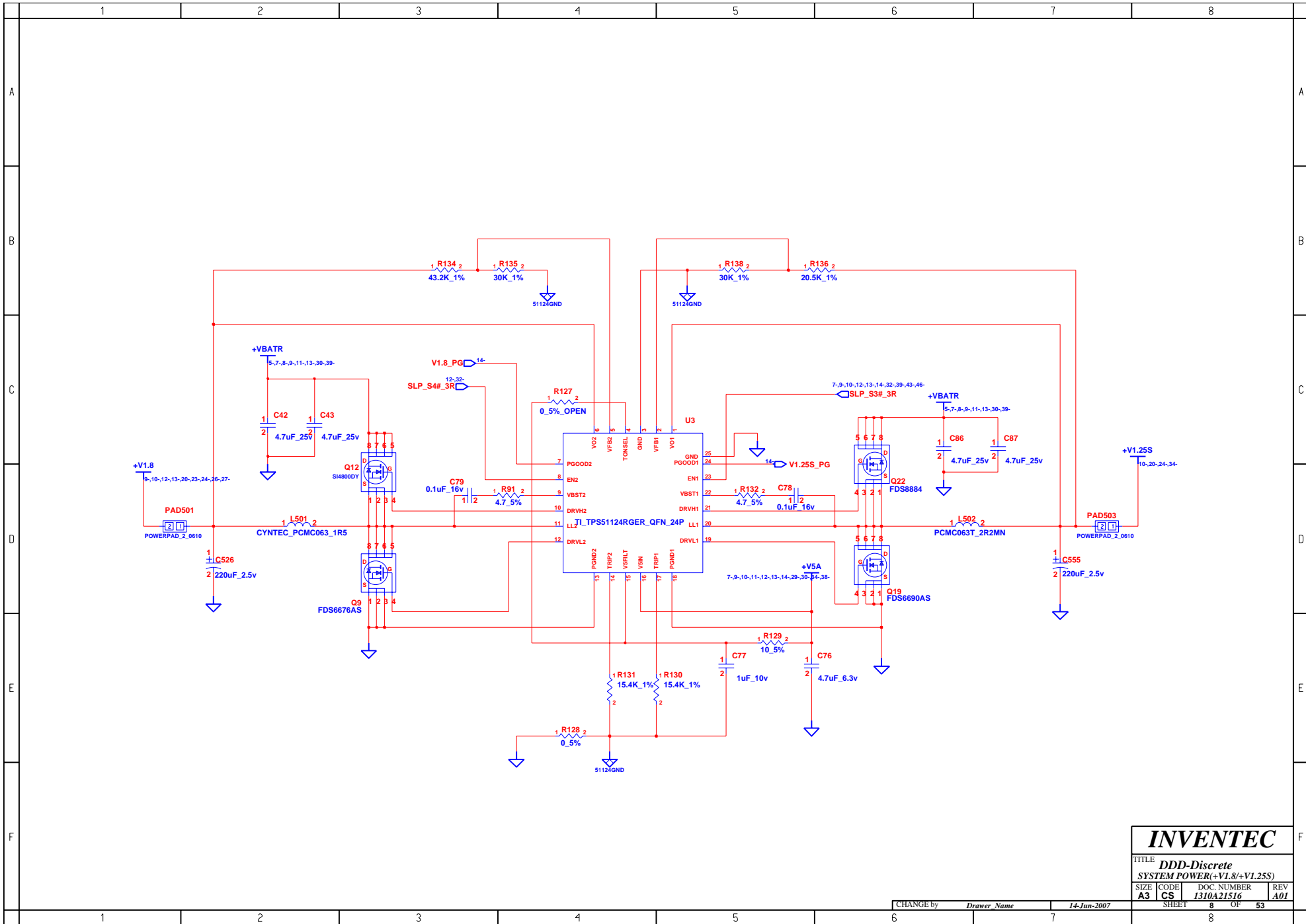
TITLE
DDD-Discrete
SYSTEM POWER(3V/5V/12V)

SIZE CODE DOC. NUMBER REV

A3 CS 1310A21516 A01

CHANGE by *Drawer Name* 14-Jun-2007

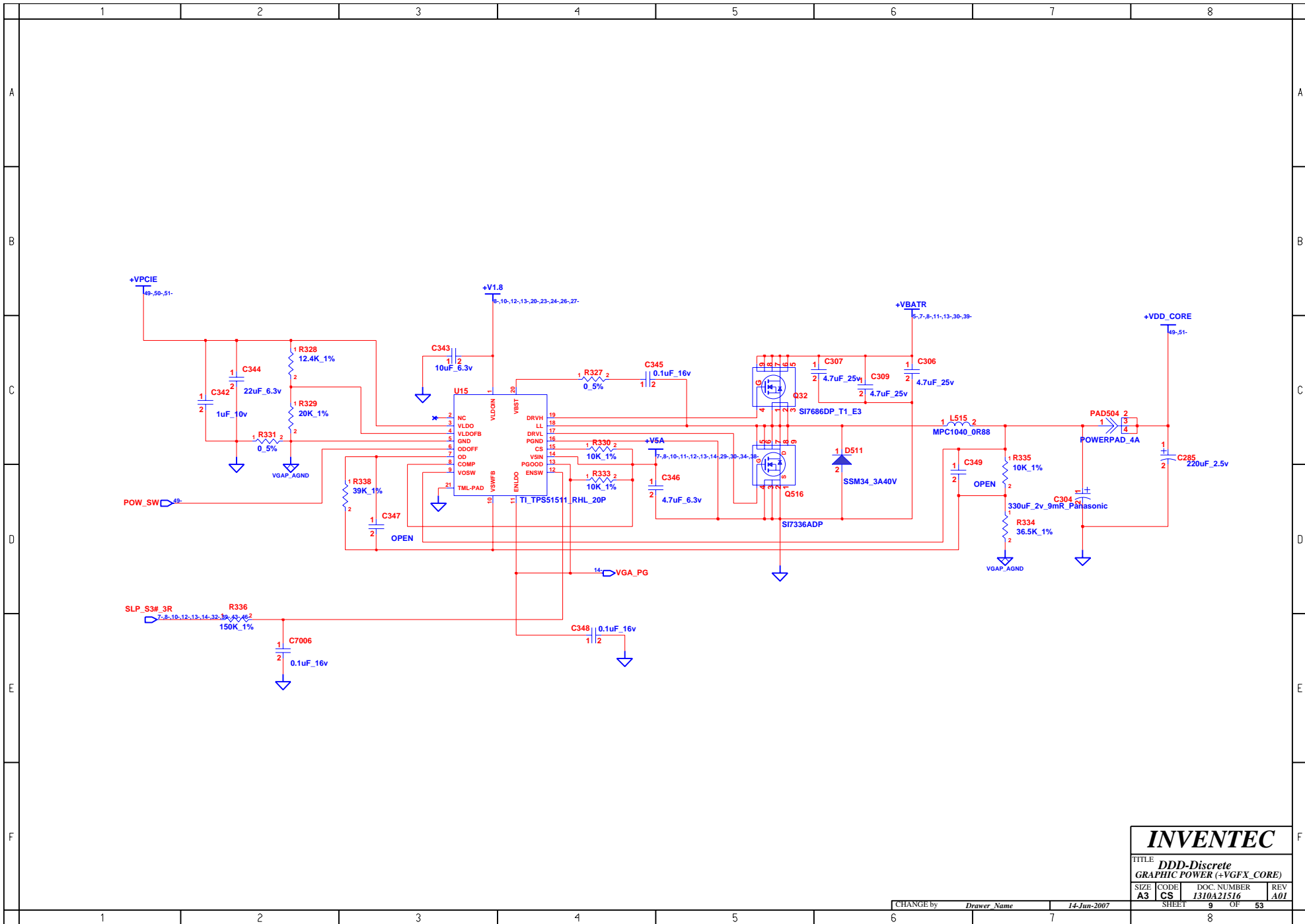
SHEET 7 OF 53



INVENTEC

TITLE
DDD-Discrete
SYSTEM POWER(+V1.8/+V1.25S)

SIZE A3	CODE CS	DOC. NUMBER 1310A21516	REV A01
-------------------	-------------------	----------------------------------	-------------------



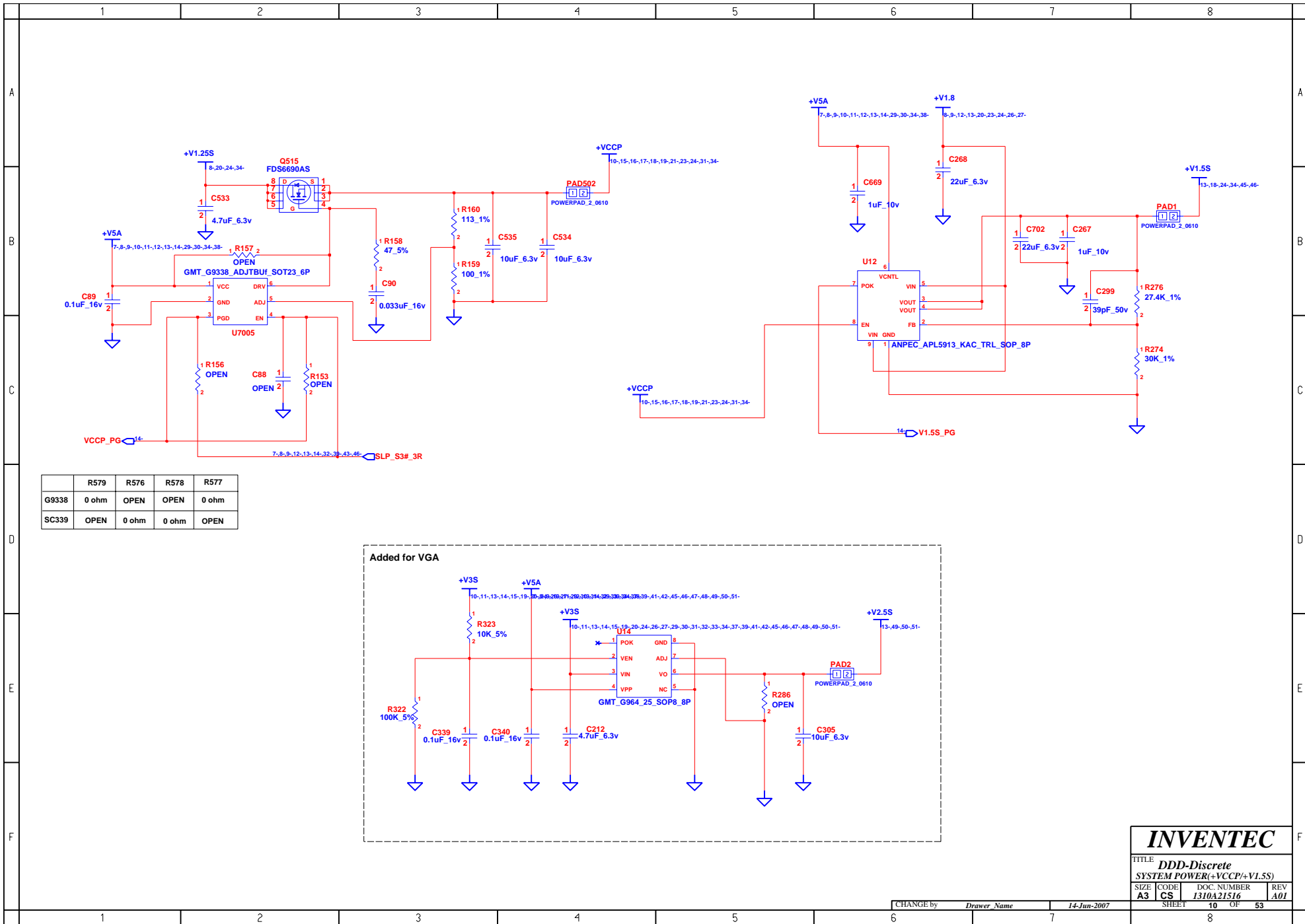
INVENTEC

TITLE **DDD-Discrete**
GRAPHIC POWER (+V GFX CORE)

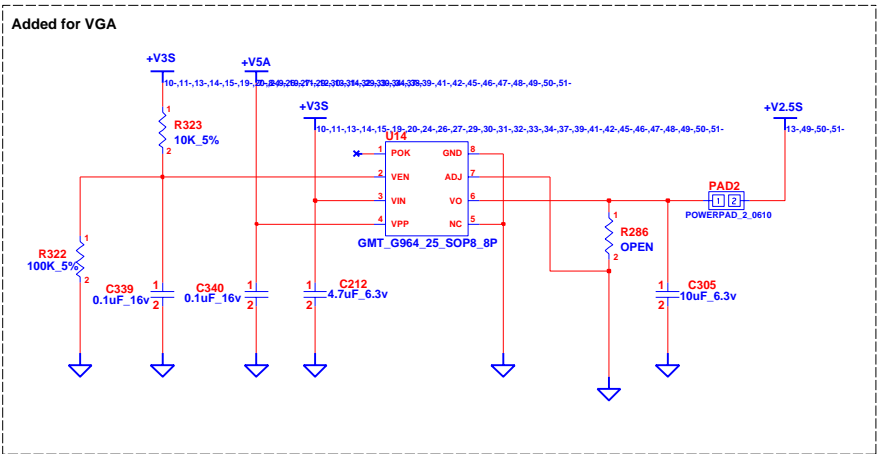
SIZE A3	CODE CS	DOC. NUMBER I310A21516	REV A01
-------------------	-------------------	----------------------------------	-------------------

CHANGE by *Drawer Name* 14-Jun-2007

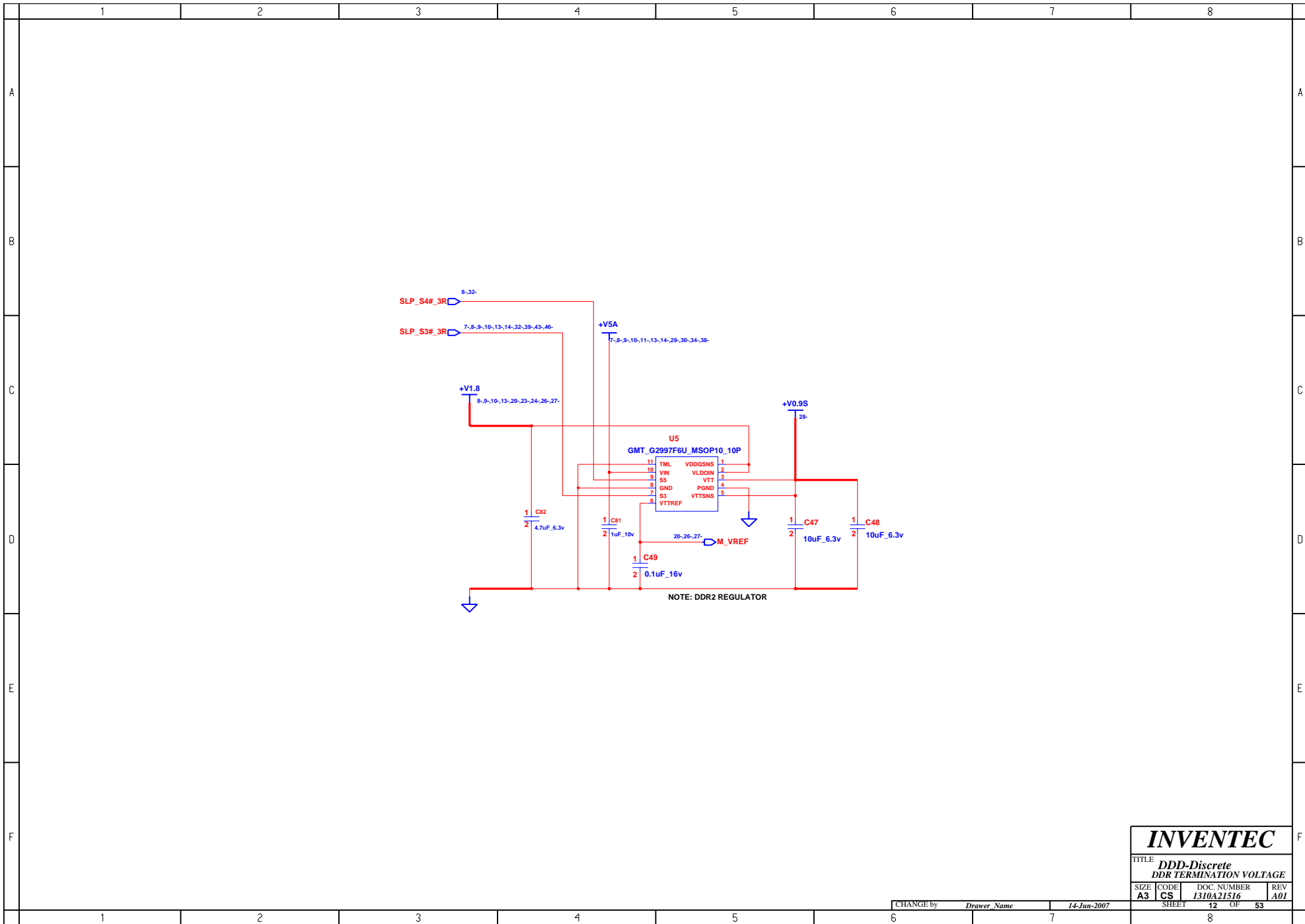
SHEET 9 OF 53



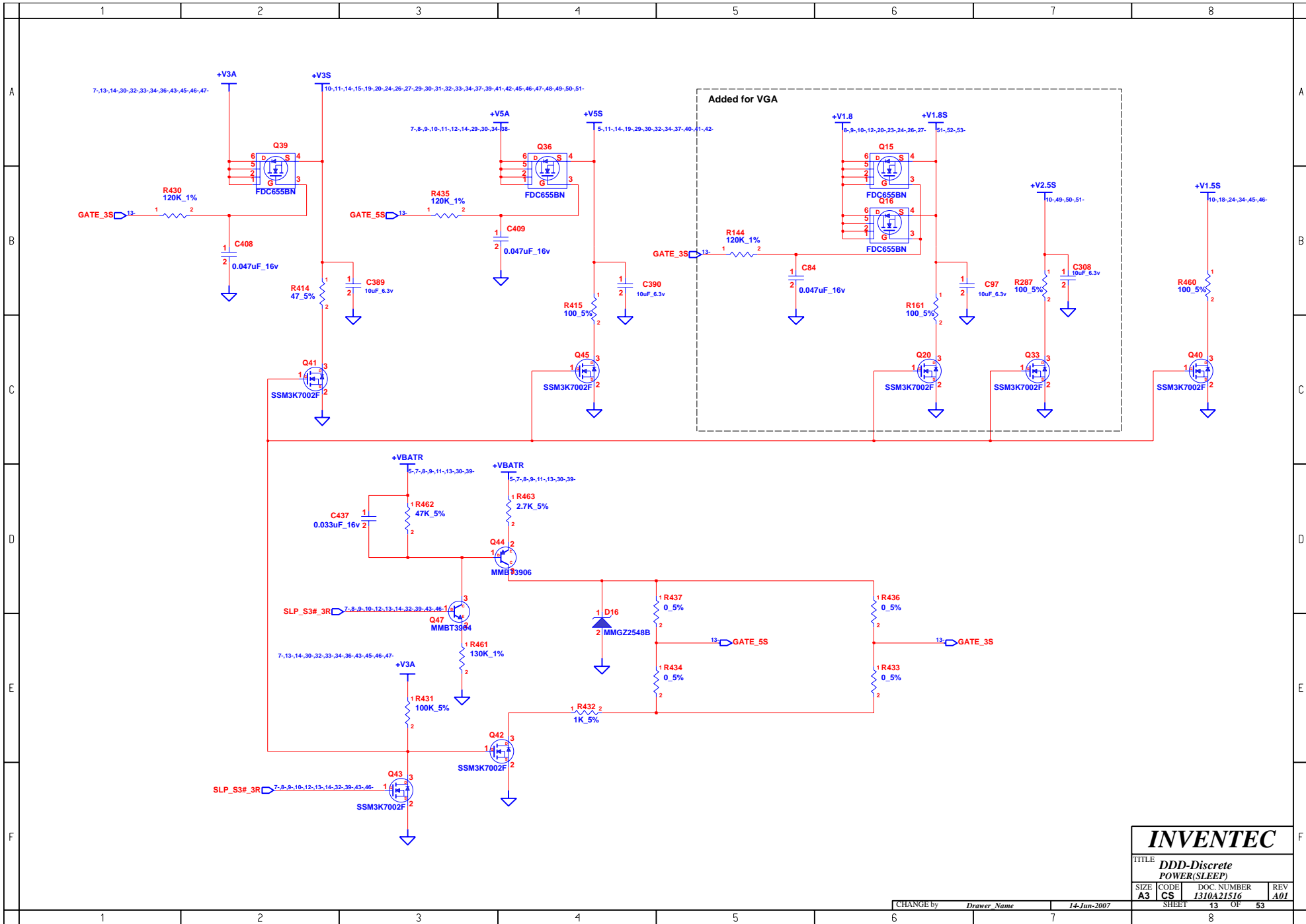
	R579	R576	R578	R577
G9338	0 ohm	OPEN	OPEN	0 ohm
SC339	OPEN	0 ohm	0 ohm	OPEN



INVENTEC			
TITLE DDD-Discrete			
SYSTEM POWER(+VCCP/+V1.5S)			
SIZE A3	CODE CS	DOC NUMBER I310A21516	REV A01
CHANGE by <i>Drawer Name</i>		14-Jun-2007	SHEET 10 OF 53



INVENTEC			
TITLE DDD-Discrete DDR TERMINATION VOLTAGE			
SIZE A3	CODE CS	DOC. NUMBER 1310A21516	REV A01
CHANGE by <i>Drawer Name</i>		14-Jun-2007	SHEET 12 OF 53



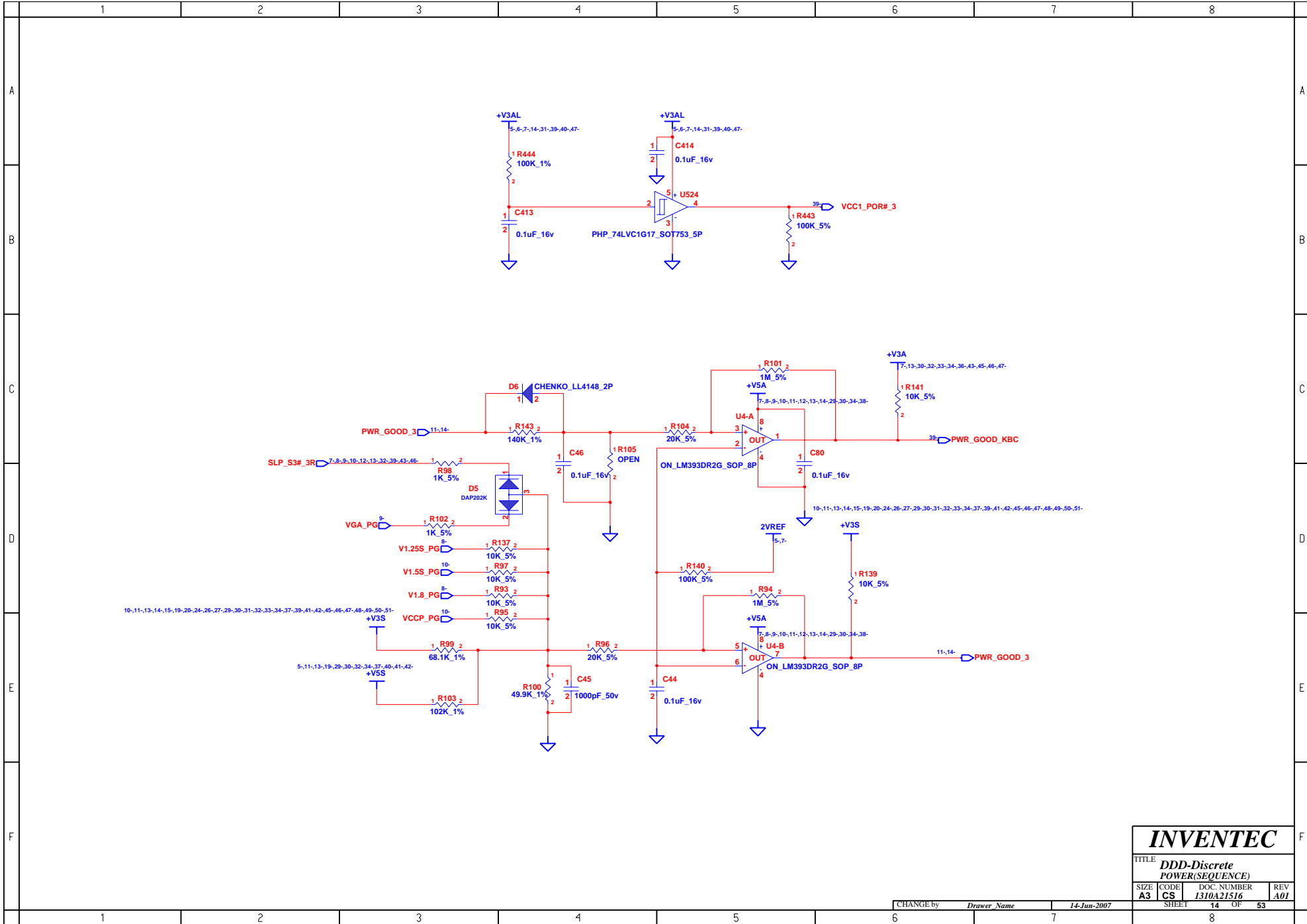
INVENTEC

TITLE
**DDD-Discrete
 POWER(SLEEP)**

SIZE A3	CODE CS	DOC. NUMBER I310A21516	REV A01
-------------------	-------------------	----------------------------------	-------------------

CHANGE by *Drawer Name* 14-Jun-2007

SHEET 13 OF 53



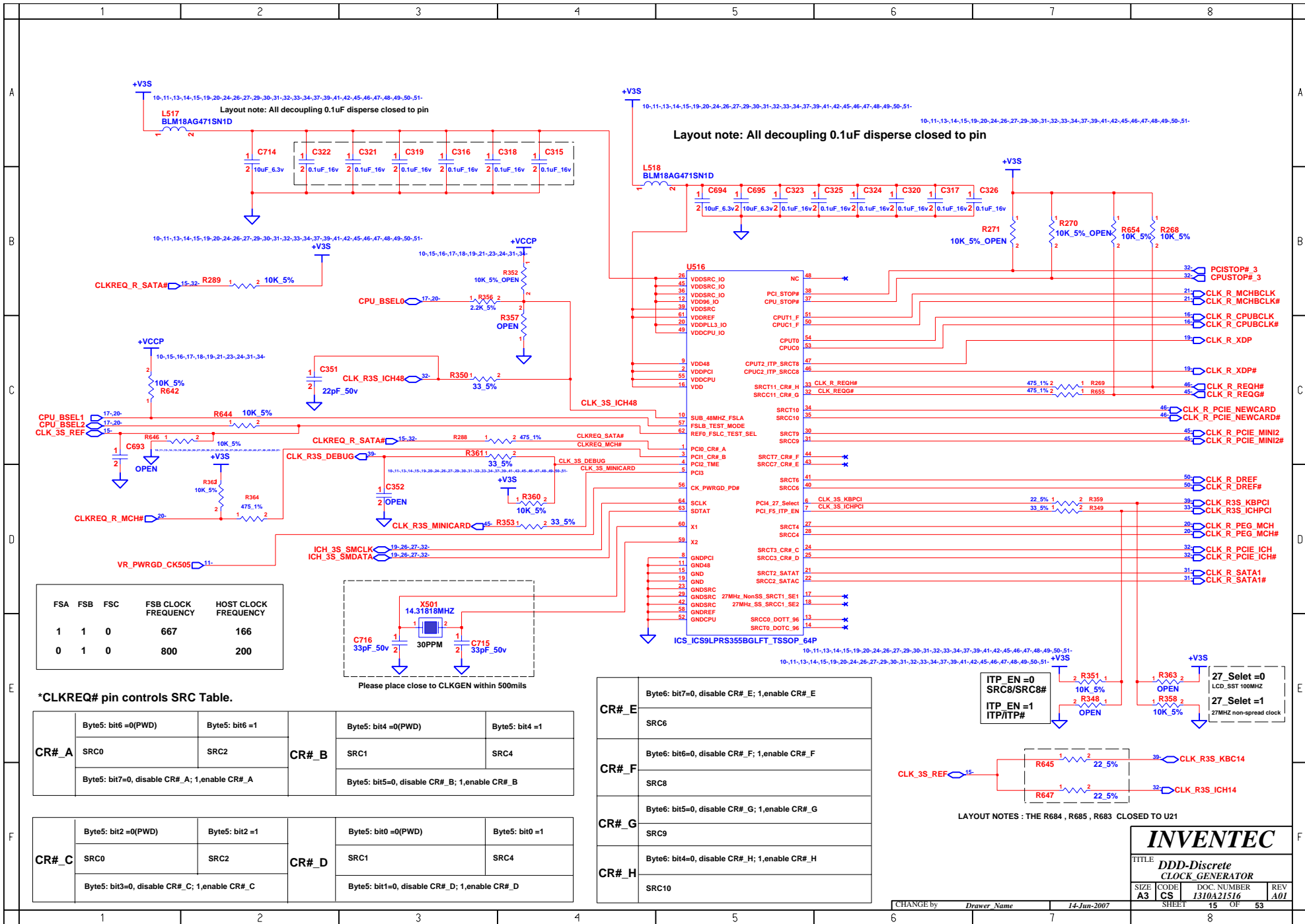
INVENTEC

TITLE
**DDD-Discrete
 POWER(SEQUENCE)**

SIZE A3	CODE CS	DOC. NUMBER I310A21516	REV A01
-------------------	-------------------	----------------------------------	-------------------

CHANGE by *Drawer Name* 14-Jun-2007

SHEET 14 OF 53



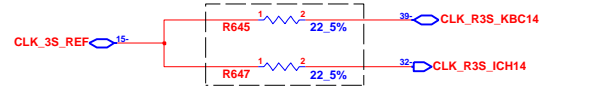
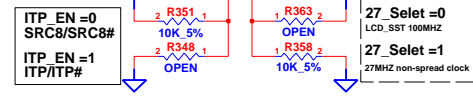
FSA	FSB	FSC	FSB CLOCK FREQUENCY	HOST CLOCK FREQUENCY
1	1	0	667	166
0	1	0	800	200

*CLKREQ# pin controls SRC Table.

CR#_A	Byte5: bit6 =0(PWD)	Byte5: bit6 =1	CR#_B	Byte5: bit4 =0(PWD)	Byte5: bit4 =1
	SRC0	SRC2		SRC1	SRC4
Byte5: bit7=0, disable CR#_A; 1,enable CR#_A			Byte5: bit5=0, disable CR#_B; 1,enable CR#_B		

CR#_C	Byte5: bit2 =0(PWD)	Byte5: bit2 =1	CR#_D	Byte5: bit0 =0(PWD)	Byte5: bit0 =1
	SRC0	SRC2		SRC1	SRC4
Byte5: bit3=0, disable CR#_C; 1,enable CR#_C			Byte5: bit1=0, disable CR#_D; 1,enable CR#_D		

CR#_E	Byte6: bit7=0, disable CR#_E; 1,enable CR#_E	SRC6
CR#_F	Byte6: bit6=0, disable CR#_F; 1,enable CR#_F	SRC8
CR#_G	Byte6: bit5=0, disable CR#_G; 1,enable CR#_G	SRC9
CR#_H	Byte6: bit4=0, disable CR#_H; 1,enable CR#_H	SRC10



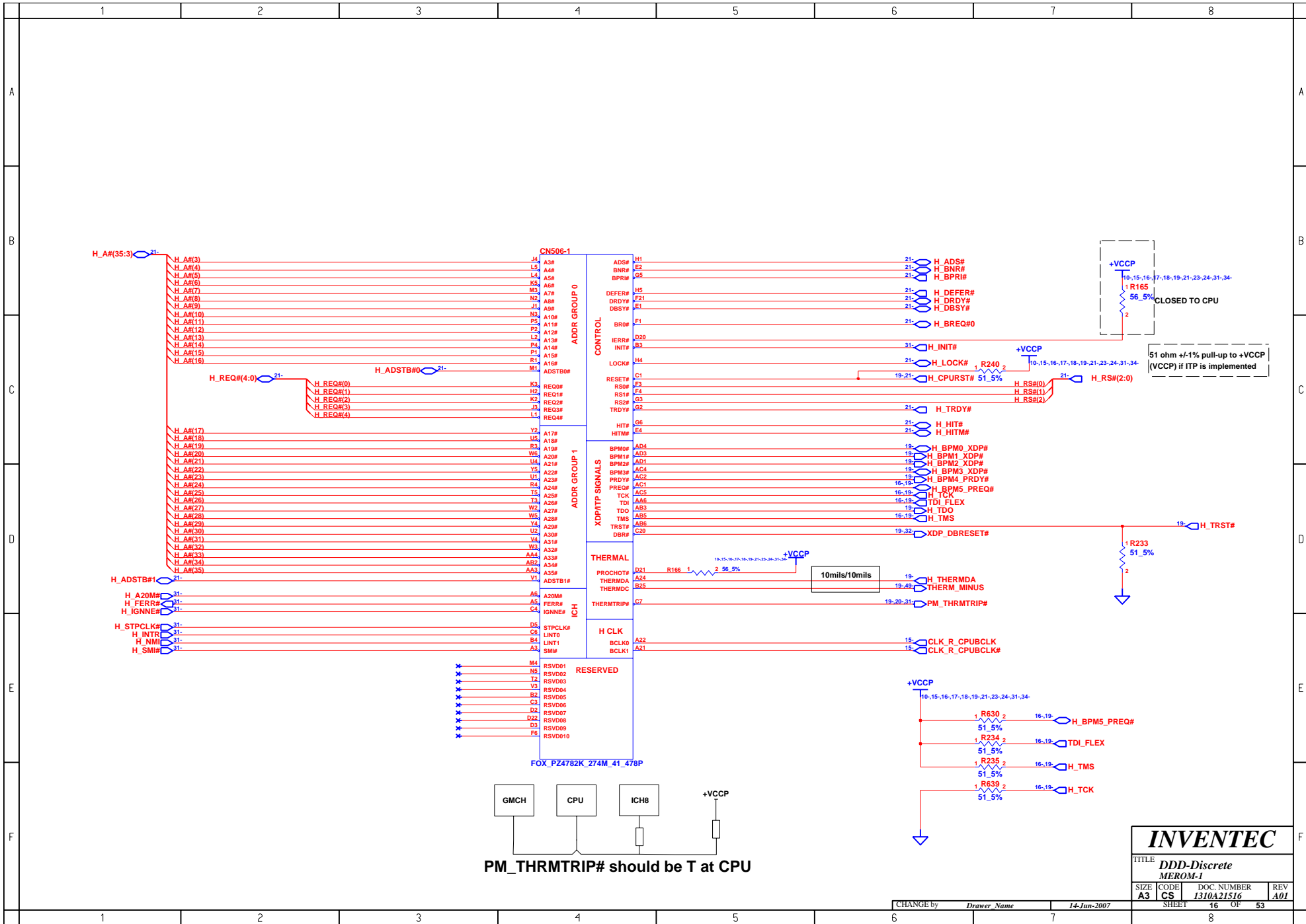
LAYOUT NOTES : THE R684 , R685 , R683 CLOSED TO U21

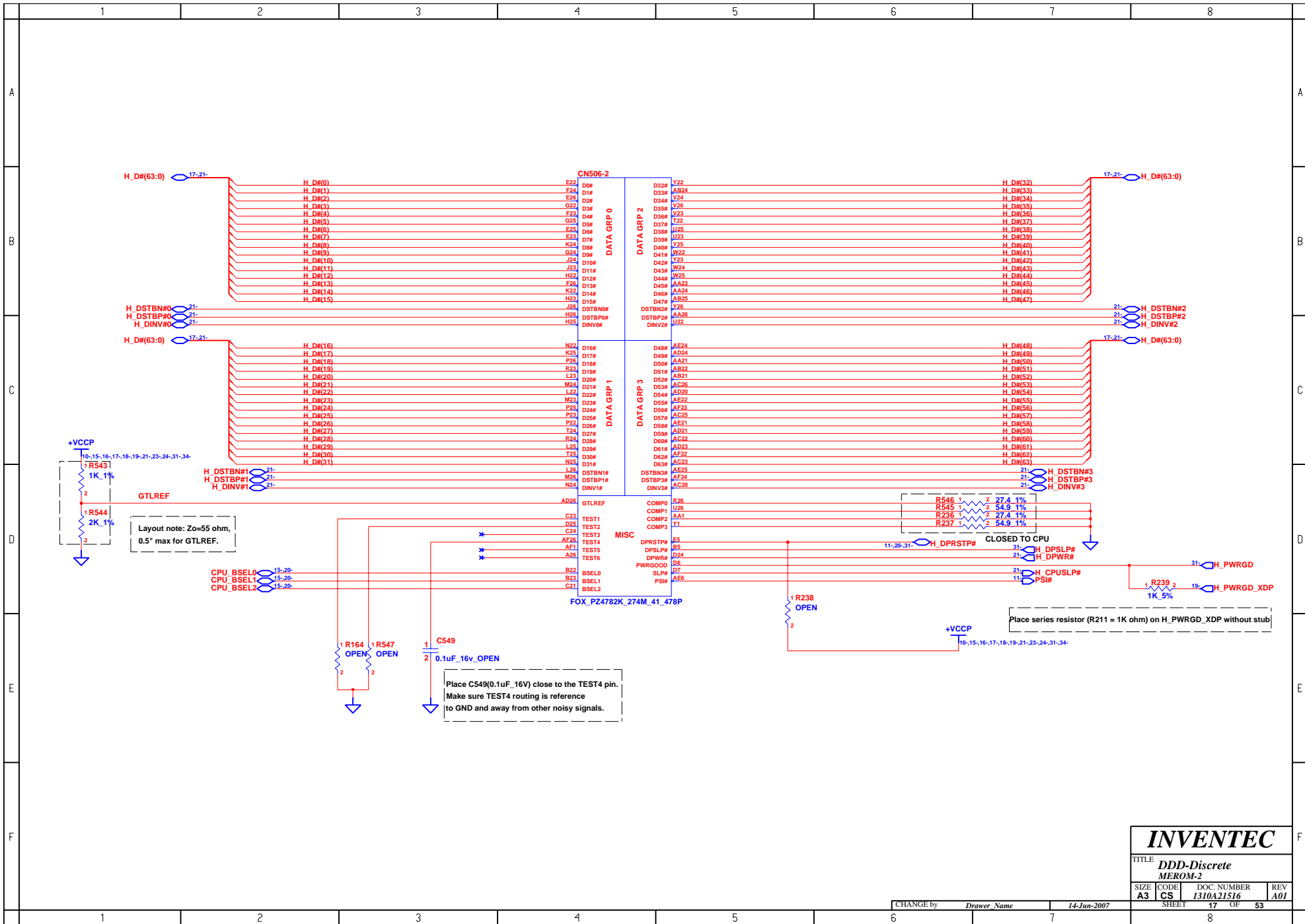
INVENTEC

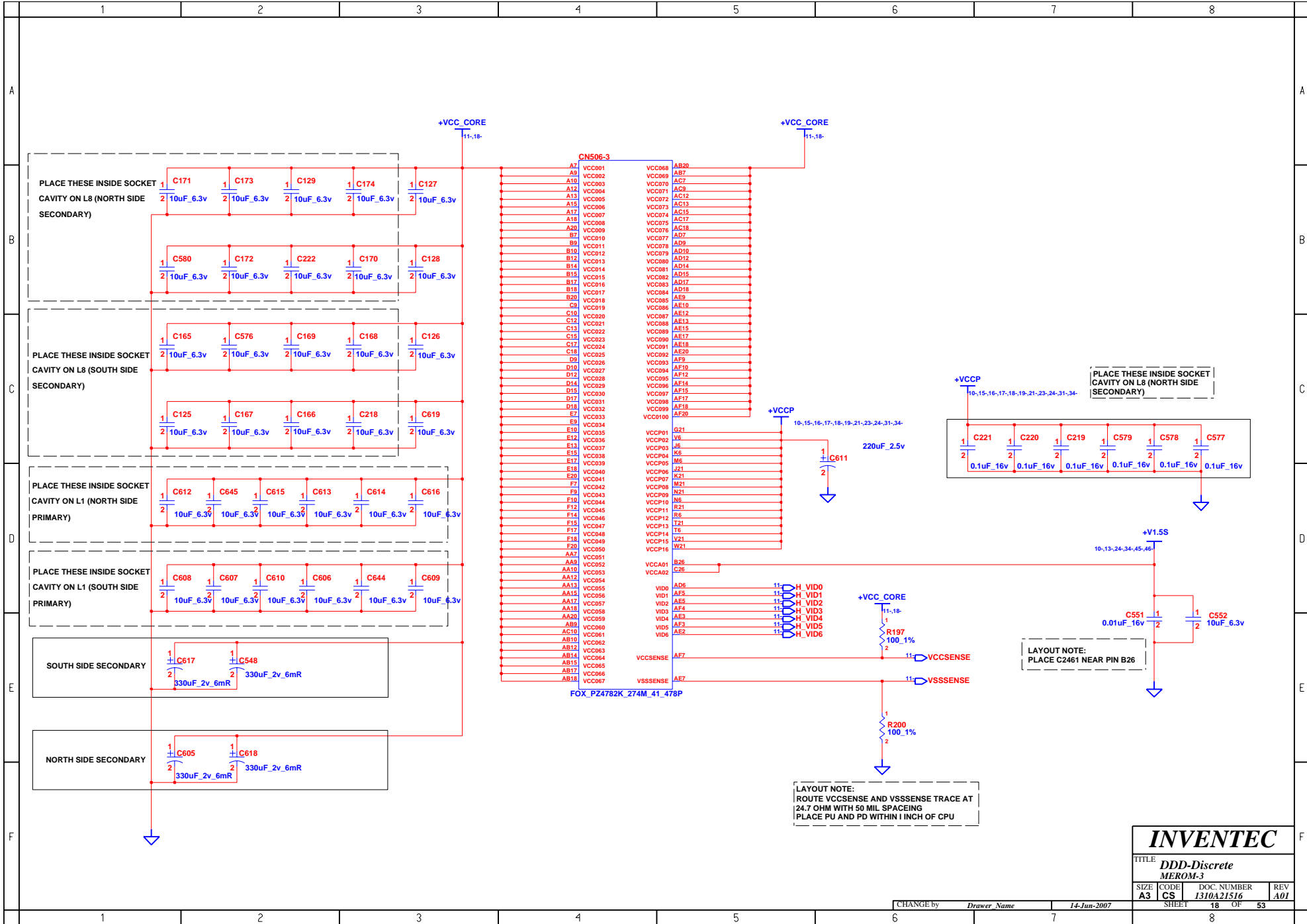
TITLE: **DDD-Discrete CLOCK GENERATOR**

SIZE	CODE	DOC. NUMBER	REV
A3	CS	1310A21516	A01

SHEET 15 OF 53



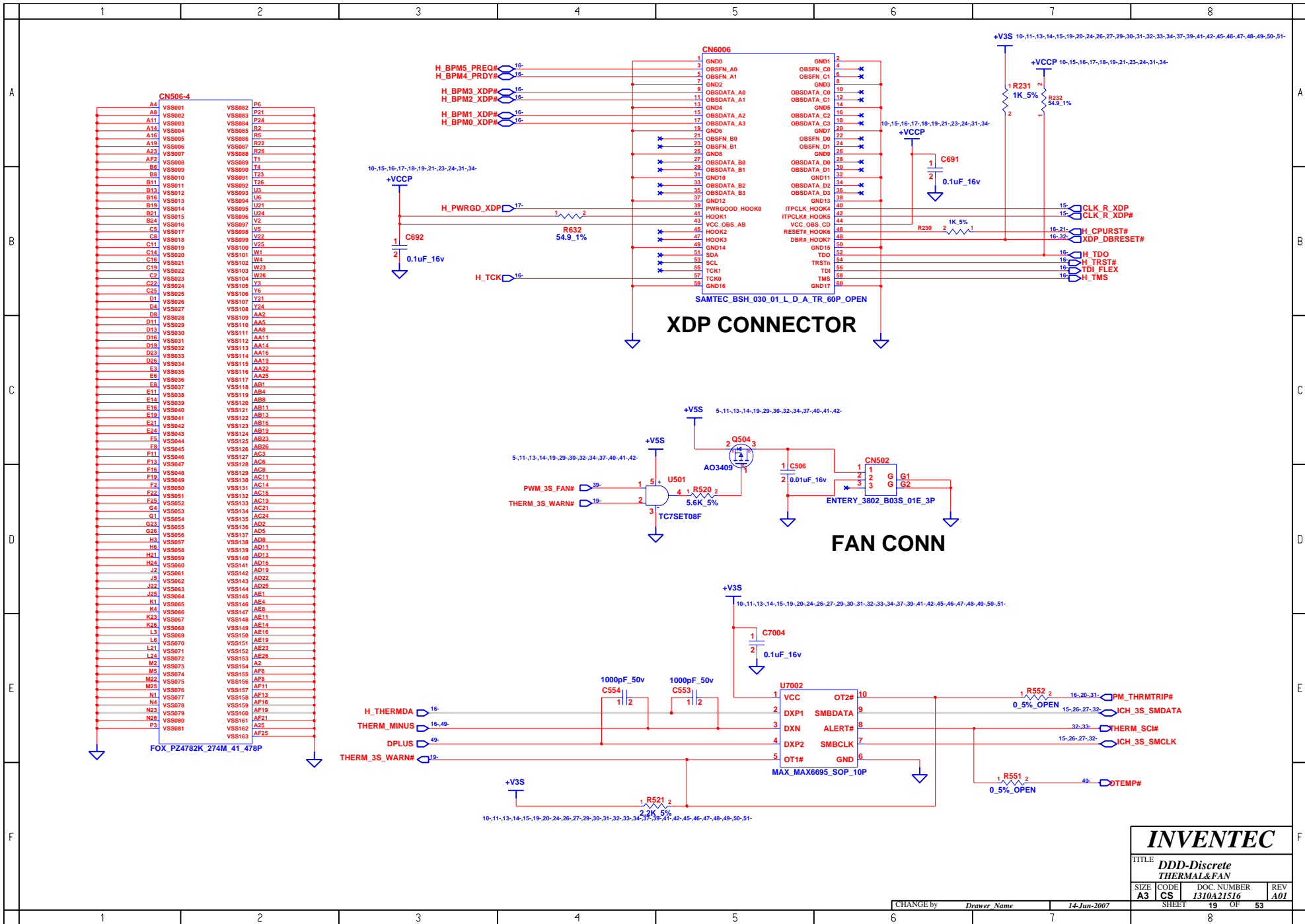




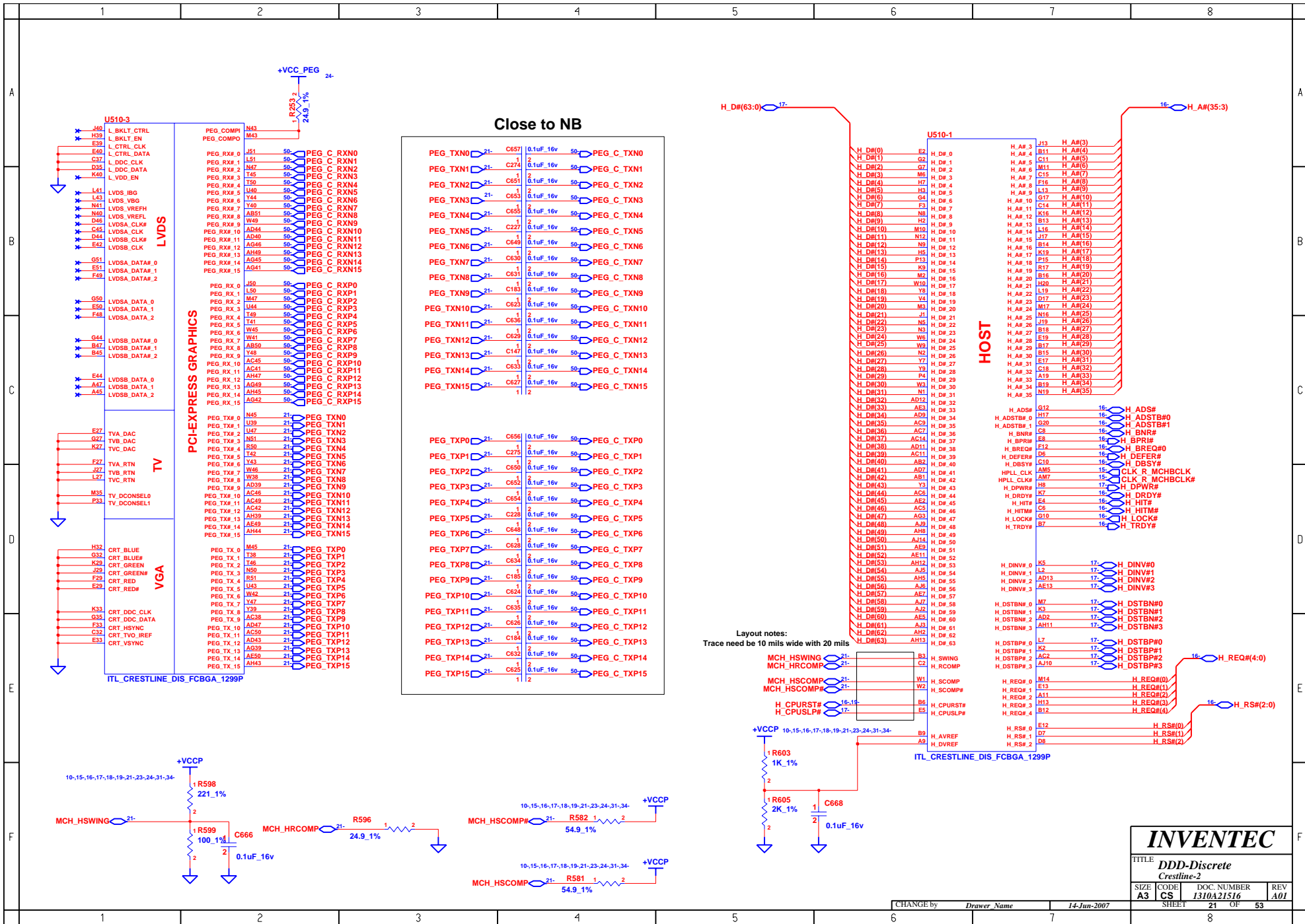
LAYOUT NOTE:
PLACE C2461 NEAR PIN B26

LAYOUT NOTE:
ROUTE VCCSENSE AND VSSSENSE TRACE AT
24.7 OHM WITH 50 MIL SPACING
PLACE PU AND PD WITHIN 1 INCH OF CPU

INVENTEC			
TITLE DDD-Discrete MEROM-3			
SIZE A3	CODE CS	DOC. NUMBER I310A21516	REV A01
CHANGE by Drawer Name		14-Jun-2007	SHEET 18 OF 53



INVENTEC			
TITLE DDD-Discrete THERMAL&FAN			
SIZE A3	CODE CS	DOC. NUMBER I310A21516	REV A01
CHANGE by Drawer Name		14-Jun-2007	
SHEET 19		OF 53	



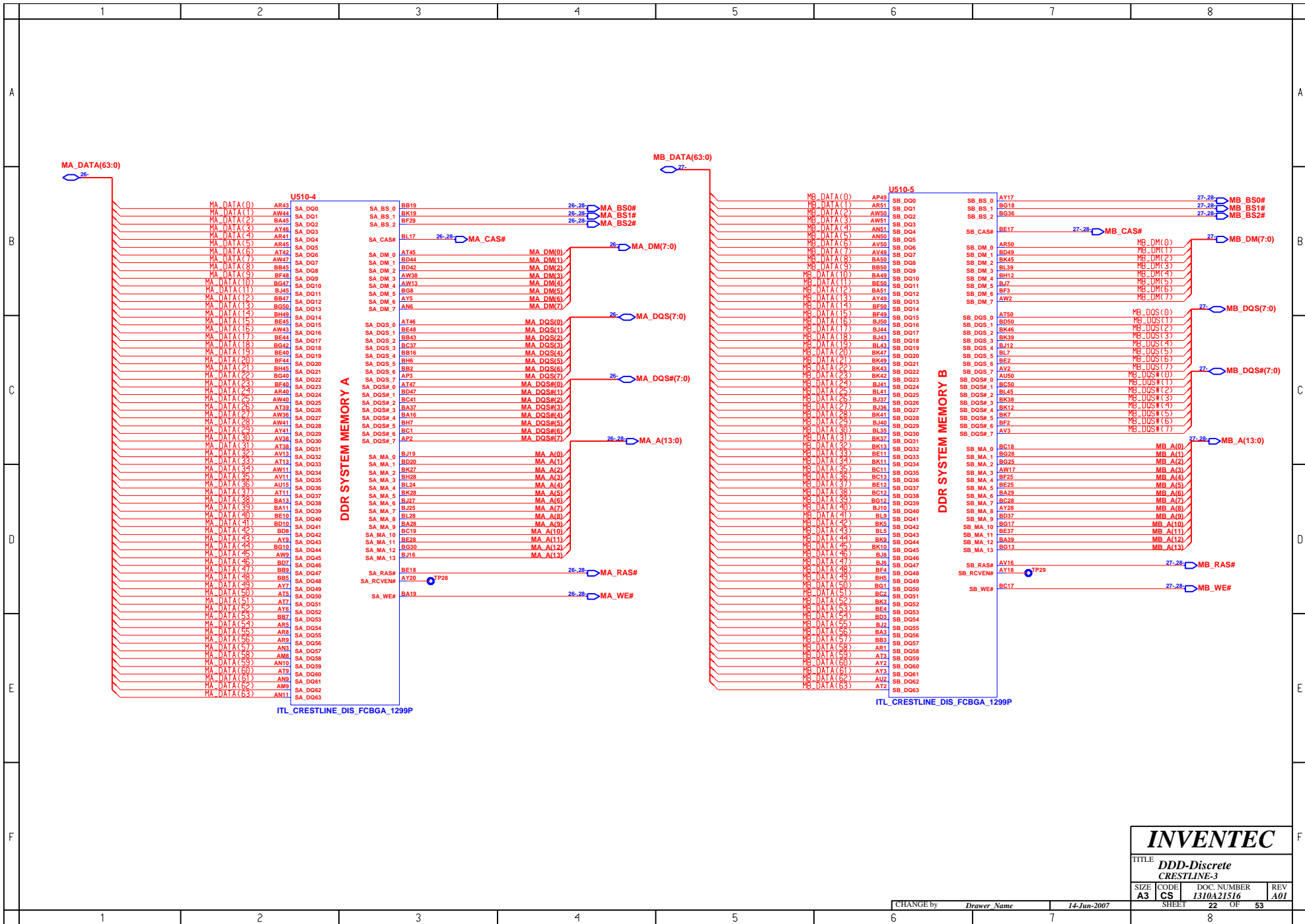
Close to NB

PEG_TXN0	21-	C657	1	0.1uF_16v	50	PEG_C_TXN0
PEG_TXN1	21-	C274	1	0.1uF_16v	50	PEG_C_TXN1
PEG_TXN2	21-	C651	2	0.1uF_16v	50	PEG_C_TXN2
PEG_TXN3	21-	C653	2	0.1uF_16v	50	PEG_C_TXN3
PEG_TXN4	21-	C655	2	0.1uF_16v	50	PEG_C_TXN4
PEG_TXN5	21-	C227	2	0.1uF_16v	50	PEG_C_TXN5
PEG_TXN6	21-	C649	2	0.1uF_16v	50	PEG_C_TXN6
PEG_TXN7	21-	C630	2	0.1uF_16v	50	PEG_C_TXN7
PEG_TXN8	21-	C651	2	0.1uF_16v	50	PEG_C_TXN8
PEG_TXN9	21-	C183	2	0.1uF_16v	50	PEG_C_TXN9
PEG_TXN10	21-	C623	2	0.1uF_16v	50	PEG_C_TXN10
PEG_TXN11	21-	C636	2	0.1uF_16v	50	PEG_C_TXN11
PEG_TXN12	21-	C629	2	0.1uF_16v	50	PEG_C_TXN12
PEG_TXN13	21-	C147	2	0.1uF_16v	50	PEG_C_TXN13
PEG_TXN14	21-	C633	2	0.1uF_16v	50	PEG_C_TXN14
PEG_TXN15	21-	C627	2	0.1uF_16v	50	PEG_C_TXN15

PEG_TXP0	21-	C656	1	0.1uF_16v	50	PEG_C_TXP0
PEG_TXP1	21-	C275	2	0.1uF_16v	50	PEG_C_TXP1
PEG_TXP2	21-	C650	2	0.1uF_16v	50	PEG_C_TXP2
PEG_TXP3	21-	C652	2	0.1uF_16v	50	PEG_C_TXP3
PEG_TXP4	21-	C654	2	0.1uF_16v	50	PEG_C_TXP4
PEG_TXP5	21-	C228	2	0.1uF_16v	50	PEG_C_TXP5
PEG_TXP6	21-	C648	2	0.1uF_16v	50	PEG_C_TXP6
PEG_TXP7	21-	C628	2	0.1uF_16v	50	PEG_C_TXP7
PEG_TXP8	21-	C634	2	0.1uF_16v	50	PEG_C_TXP8
PEG_TXP9	21-	C185	2	0.1uF_16v	50	PEG_C_TXP9
PEG_TXP10	21-	C624	2	0.1uF_16v	50	PEG_C_TXP10
PEG_TXP11	21-	C635	2	0.1uF_16v	50	PEG_C_TXP11
PEG_TXP12	21-	C626	2	0.1uF_16v	50	PEG_C_TXP12
PEG_TXP13	21-	C184	2	0.1uF_16v	50	PEG_C_TXP13
PEG_TXP14	21-	C632	2	0.1uF_16v	50	PEG_C_TXP14
PEG_TXP15	21-	C625	2	0.1uF_16v	50	PEG_C_TXP15

Layout notes:
Trace need to be 10 mils wide with 20 mils

INVENTEC			
TITLE DDD-Discrete Crestline-2			
SIZE A3	CODE CS	DOC. NUMBER 1310A21516	REV A01
CHANGE by Drawer Name		14-Jun-2007	SHEET 21 OF 53

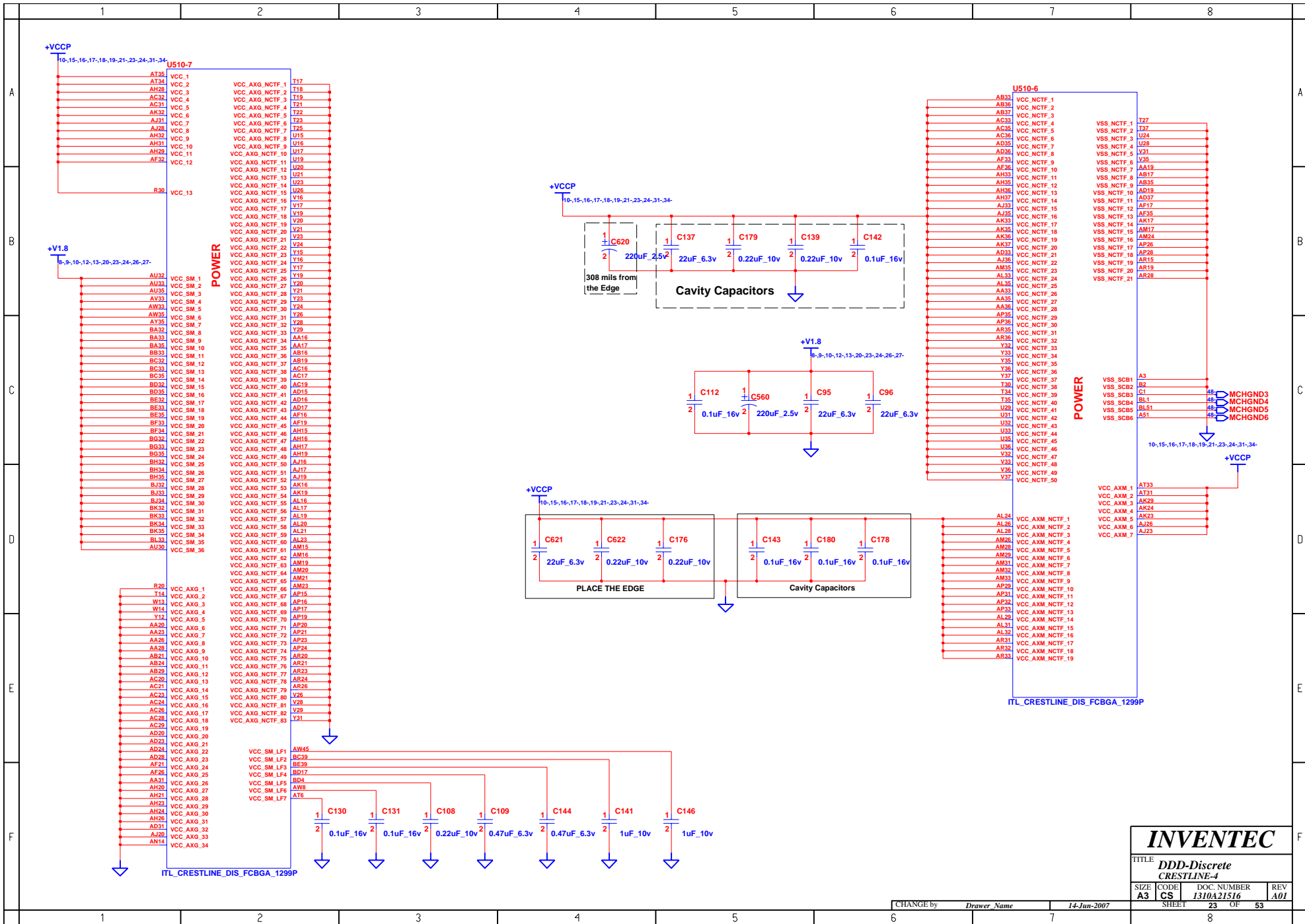


INVENTEC

TITLE: **DDD-Discrete
CRESTLINE-3**

SIZE	CODE	DOC. NUMBER	REV
A3	CS	1310A21516	A01

CHANGE by: *Drawer Name* 14-Jun-2007 SHEET 22 OF 53

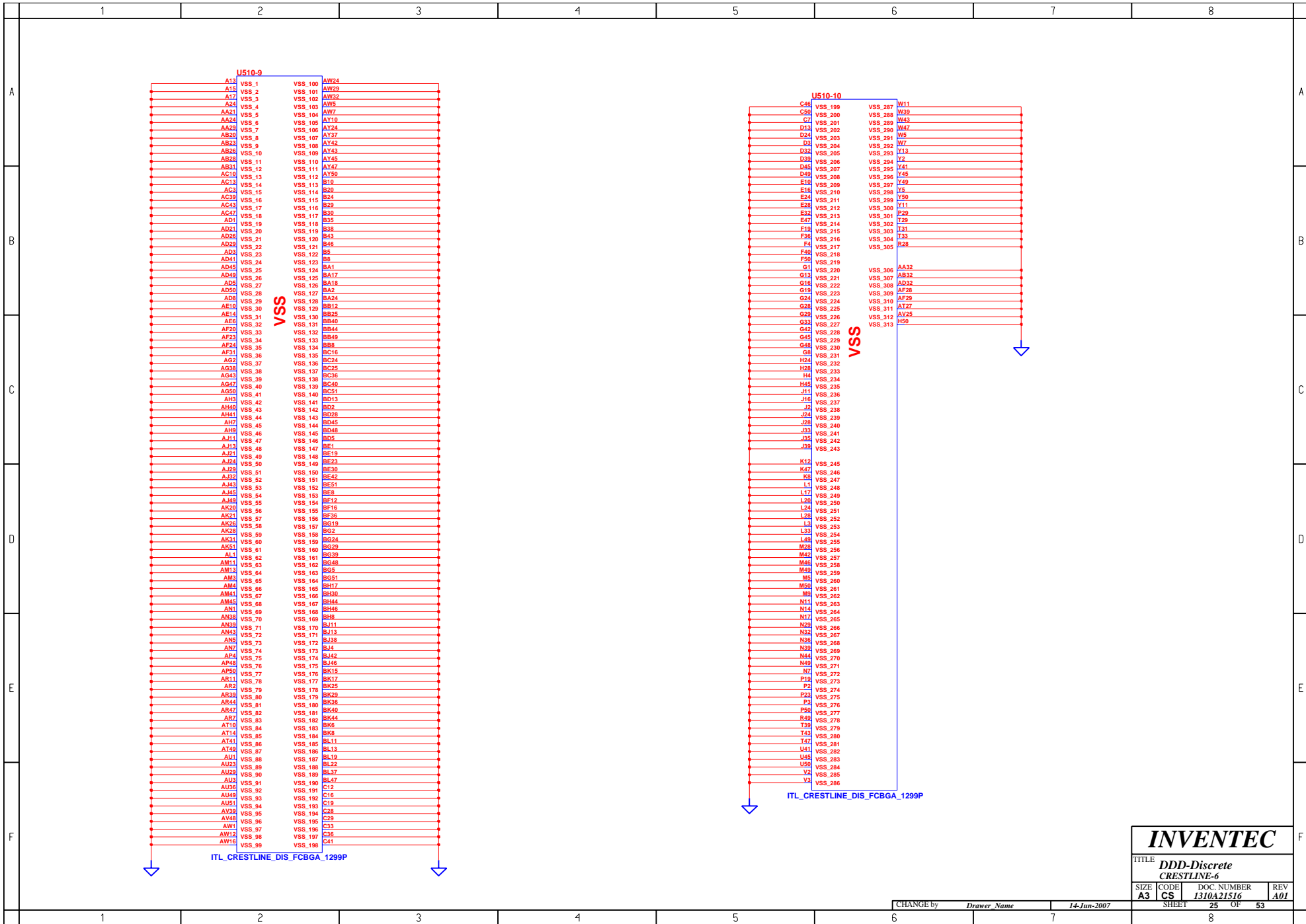


INVENTEC

TITLE: **DDD-Discrete CRESTLINE-4**

SIZE	CODE	DOC. NUMBER	REV
A3	CS	1310A21516	A01

CHANGE by *Drawer Name* 14-Jun-2007 SHEET 23 OF 53

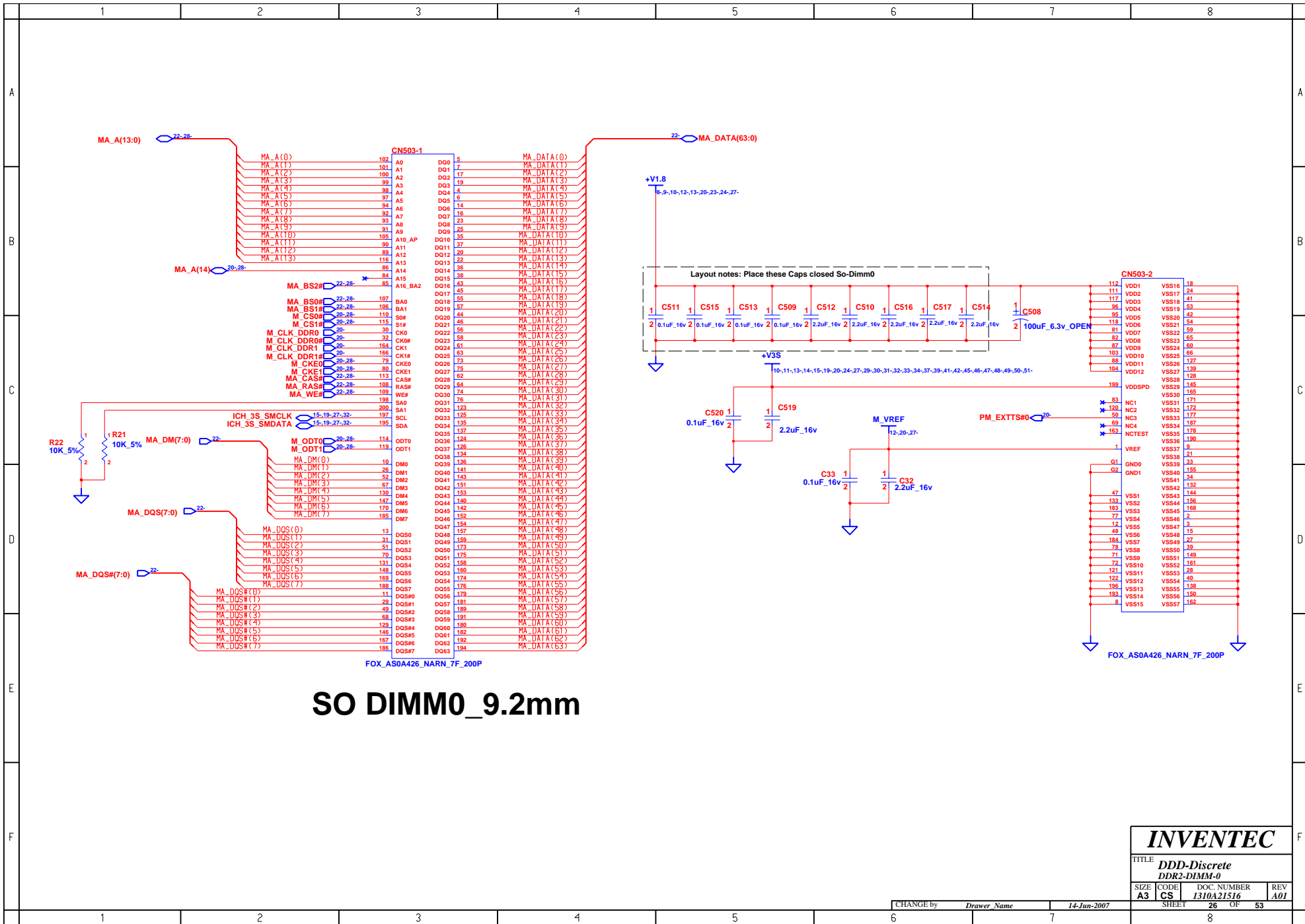


INVENTEC

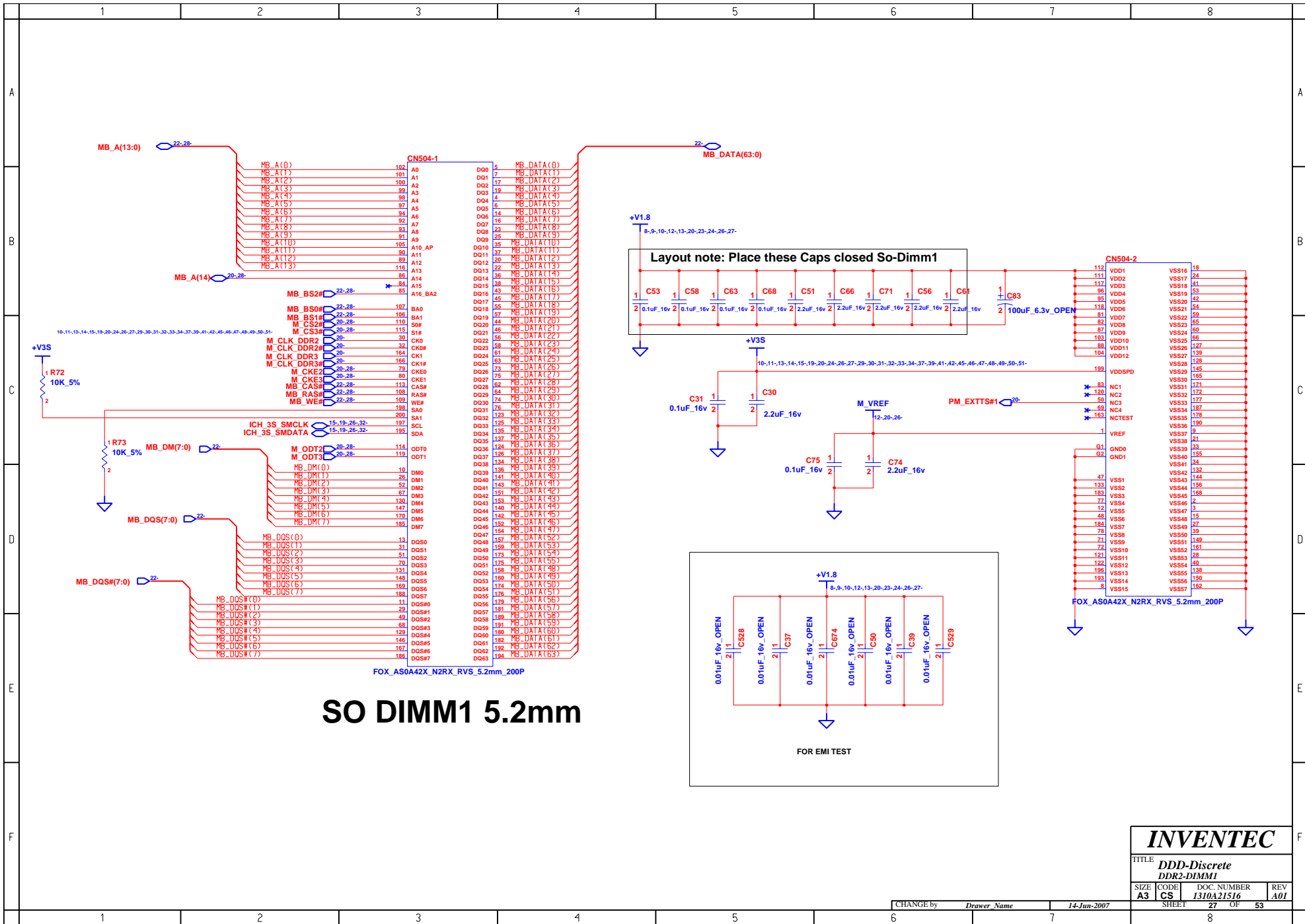
TITLE
DDD-Discrete
CRESTRLINE-6

SIZE	CODE	DOC. NUMBER	REV
A3	CS	1310A21516	A01

CHANGE by *Drawer Name* 14-Jun-2007
 SHEET 25 OF 53



INVENTEC			
TITLE DDD-Discrete DDR2-DIMM-0			
SIZE A3	CODE CS	DOC. NUMBER I310A21516	REV A01
CHANGE by Drawer Name		14-Jun-2007	SHEET 26 OF 53





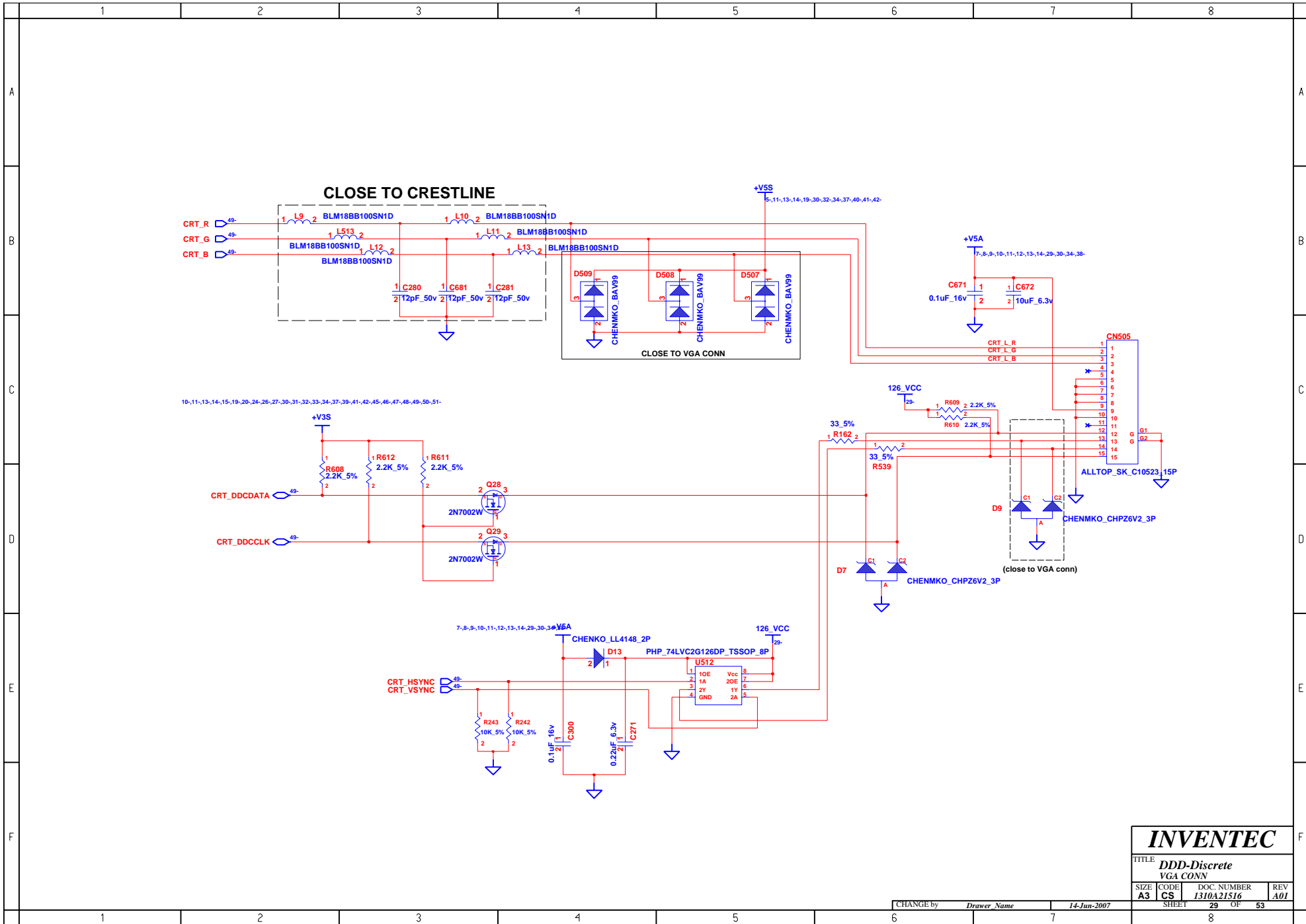
LAYOUT NOTES : PLACE ONE CAP CLOSE TO EVERY 2 PULL UP RESISTOR TERMINATED TO +V0.9S

INVENTEC

TITLE
DDD-Discrete
DDR2-DAMPING

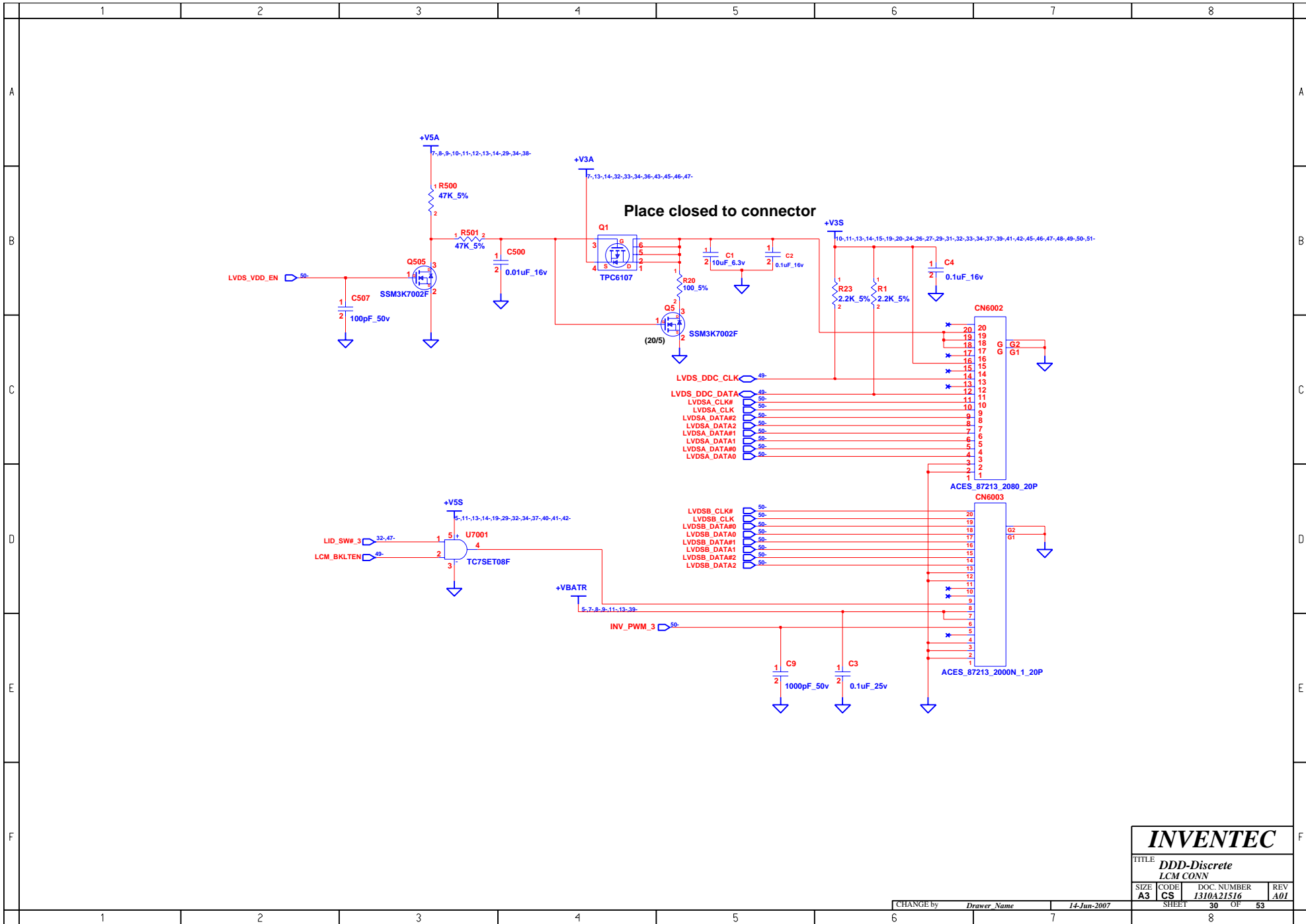
SIZE A3	CODE CS	DOC NUMBER I310A21516	REV A01
SHEET 28		OF 53	

CHANGE by *Drawer Name* 27-Sep-2003



INVENTEC

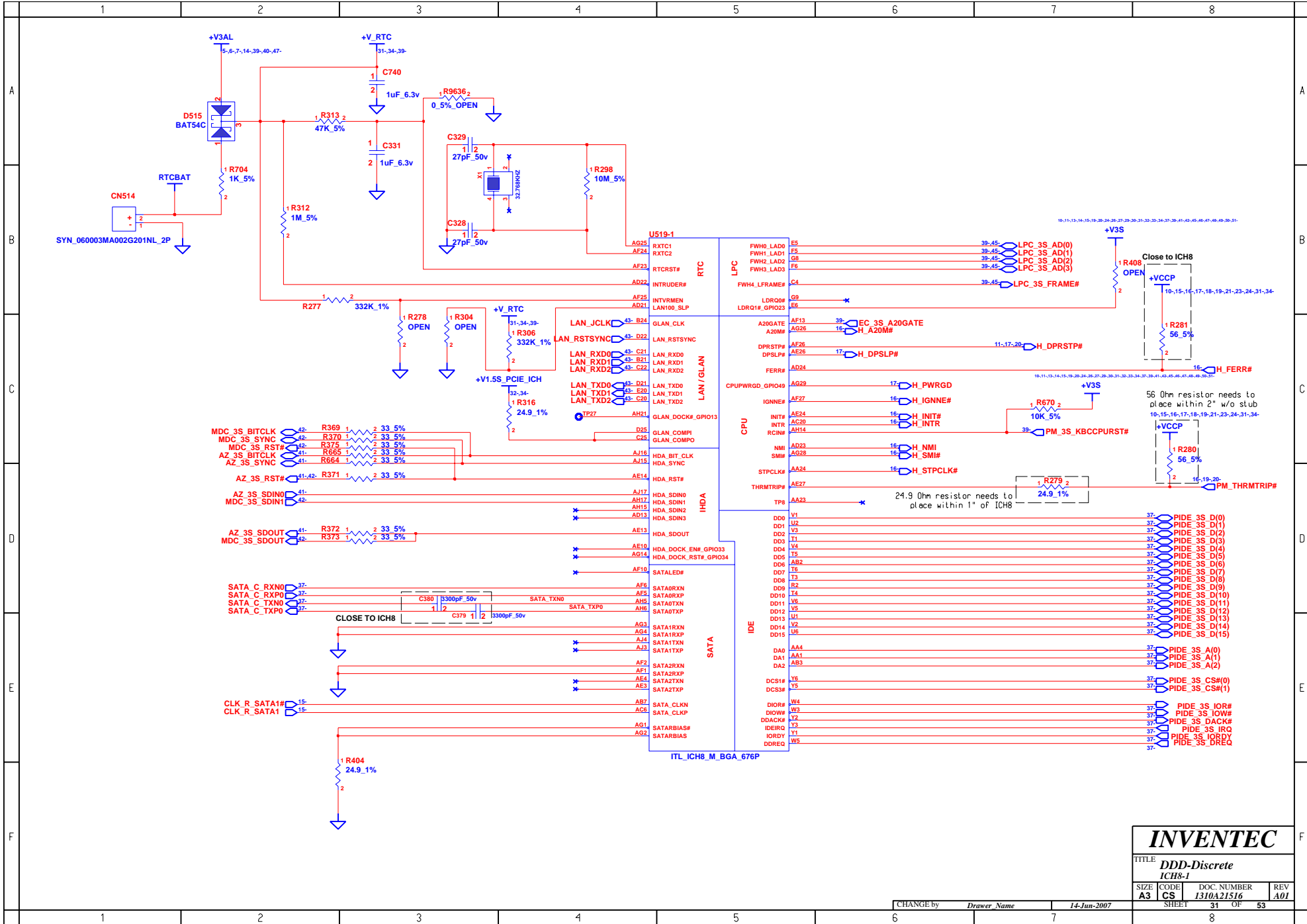
TITLE			
DDD-Discrete			
VGA CONN			
SIZE	CODE	DOC. NUMBER	REV
A3	CS	1310A21516	A01



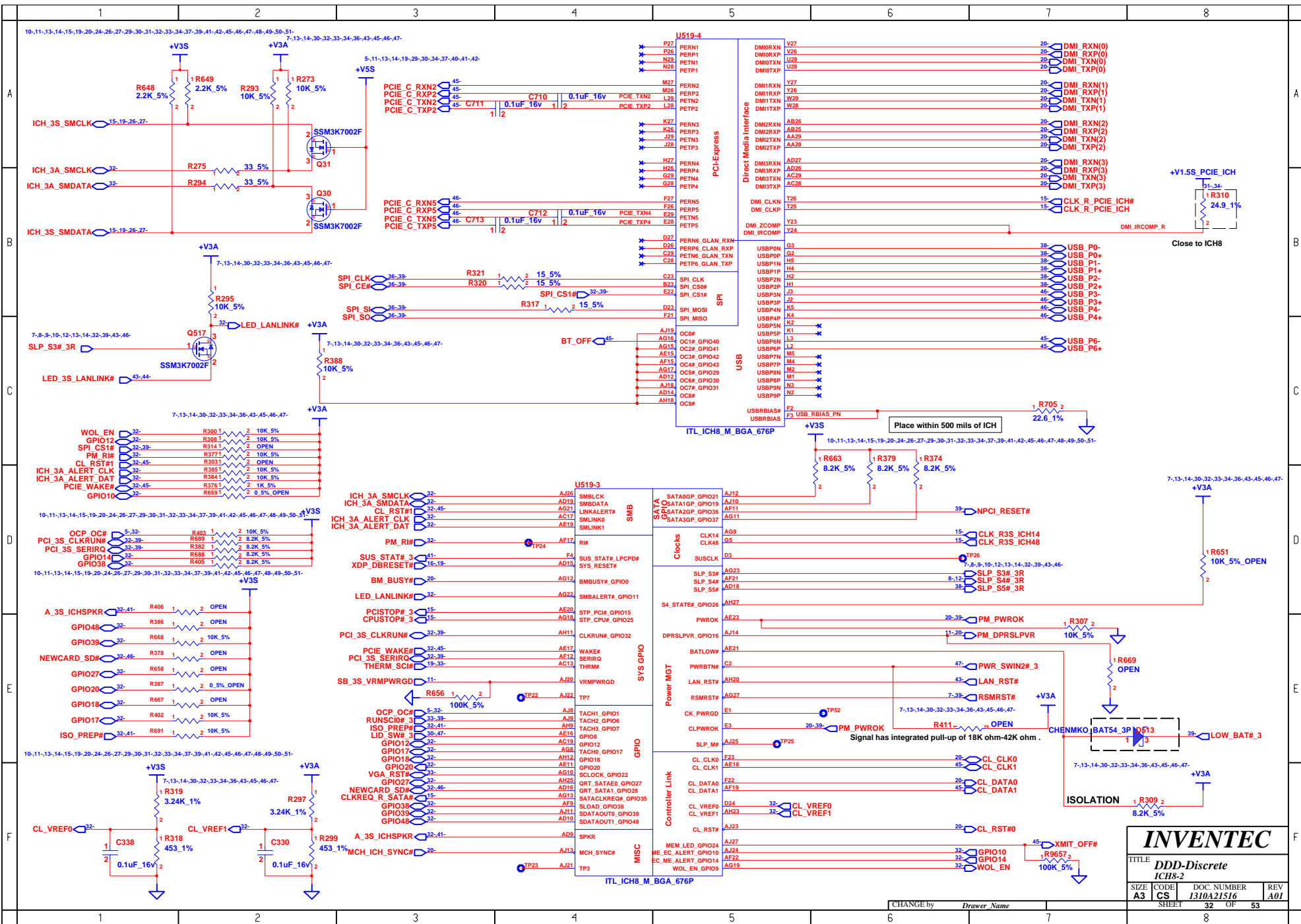
INVENTEC

TITLE
**DDD-Discrete
LCM CONN**

SIZE A3	CODE CS	DOC. NUMBER 1310A21516	REV A01
CHANGE by		Drawer Name	14-Jun-2007
SHEET		30	OF 53



INVENTEC			
TITLE DDD-Discrete ICH8-1			
SIZE A3	CODE CS	DOC. NUMBER I310A21516	REV A01
CHANGE by Drawer Name		14-Jun-2007	
SHEET		31 OF 53	

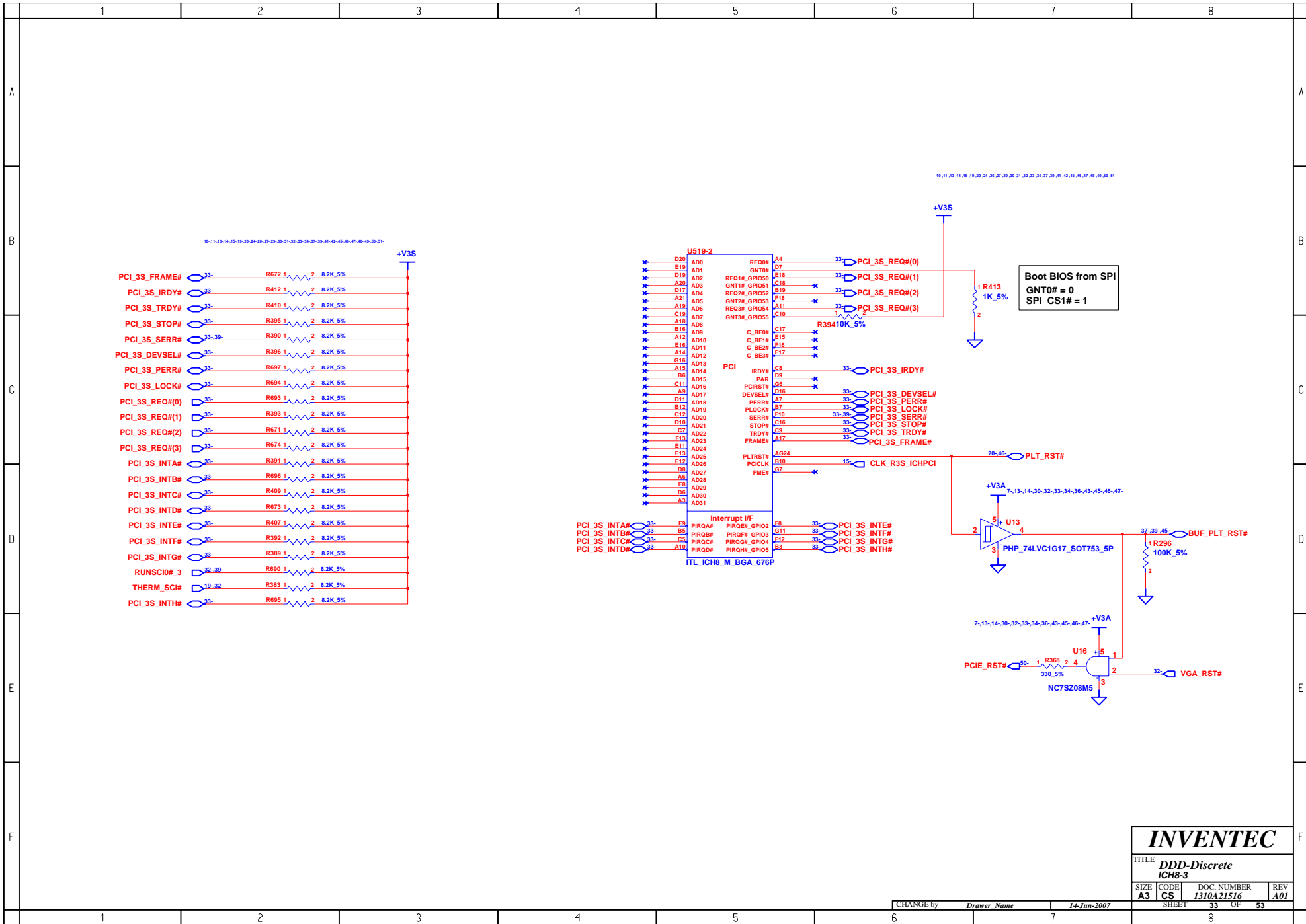


INVENTEC

TITLE: **DDD-Discrete ICH8-2**

SIZE: A3	CODE: CS	DOC. NUMBER: 1310A21516	REV: A01
SHEET: 32		OF: 53	

CHANGE by *Drawer Name*



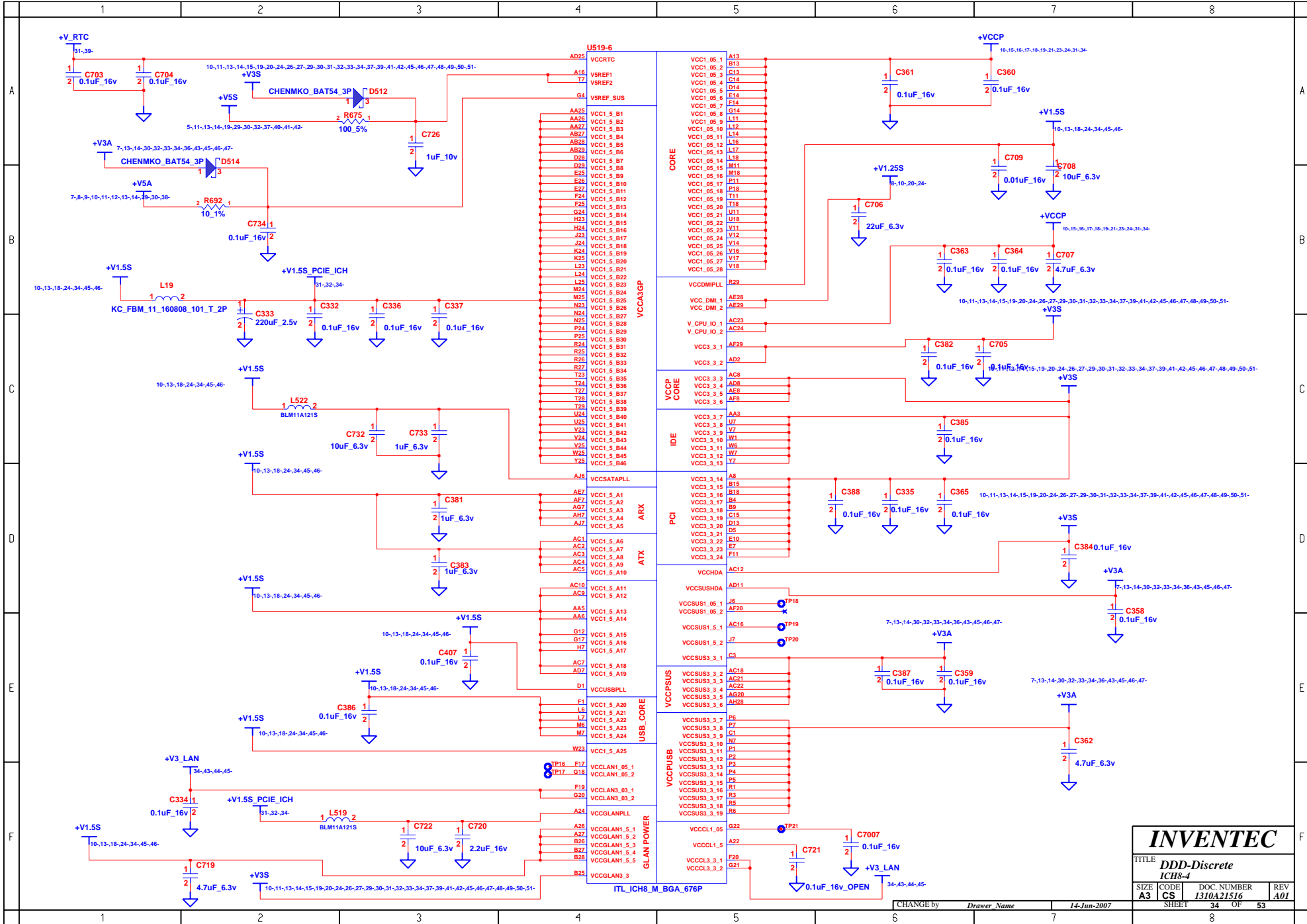
INVENTEC

TITLE
**DDD-Discrete
 ICH8-3**

SIZE A3	CODE CS	DOC. NUMBER 1310A21516	REV A01
-------------------	-------------------	----------------------------------	-------------------

CHANGE by *Drawer Name* 14-Jun-2007

SHEET 33 OF 53



INVENTEC			
TITLE DDD-Discrete IC8-4			
SIZE	CODE	DOC. NUMBER	REV
A3	CS	I310A21516	A01
CHANGE by		Drawer Name	14-Jun-2007
SHEET		34	OF 53

	1	2	3	4	5	6	7	8	
A									A
B									B
C									C
D									D
E									E
F									F

U519-5

AA1	VSS001	VSS099	K7
AA2	VSS002	VSS100	L1
AA7	VSS004	VSS101	L13
AA8	VSS005	VSS102	L15
AB1	VSS006	VSS103	L26
AB21	VSS007	VSS104	L27
AC11	VSS008	VSS105	L4
AC14	VSS009	VSS106	L5
AC25	VSS010	VSS107	M12
AC26	VSS011	VSS108	M13
AC27	VSS012	VSS109	M14
AD11	VSS013	VSS110	M15
AD20	VSS014	VSS111	M16
AD23	VSS015	VSS112	M17
AD29	VSS016	VSS113	M23
AD3	VSS017	VSS114	M28
AD6	VSS018	VSS115	M3
AD9	VSS019	VSS116	M32
AE1	VSS020	VSS117	N1
AE15	VSS021	VSS118	N11
AE2	VSS022	VSS119	N12
AE22	VSS023	VSS120	N13
AD1	VSS024	VSS121	N14
AE24	VSS025	VSS122	N15
AE3	VSS026	VSS123	N16
AE6	VSS027	VSS124	N17
AE9	VSS028	VSS125	N18
AF14	VSS029	VSS126	N26
AF16	VSS030	VSS127	N27
AF18	VSS031	VSS128	N4
AF3	VSS032	VSS129	N5
AF4	VSS033	VSS130	N6
AG5	VSS034	VSS131	P12
AG6	VSS035	VSS132	P13
AH10	VSS036	VSS133	P14
AH13	VSS037	VSS134	P15
AH16	VSS038	VSS135	P16
AH19	VSS039	VSS136	P17
AH2	VSS040	VSS137	P23
AF23	VSS041	VSS138	P28
AH22	VSS042	VSS139	P29
AH24	VSS043	VSS140	R11
AH26	VSS044	VSS141	R12
AH3	VSS045	VSS142	R13
AH4	VSS046	VSS143	R14
AH5	VSS047	VSS144	R15
AH6	VSS048	VSS145	R16
B11	VSS049	VSS146	R17
B14	VSS050	VSS147	R18
B17	VSS051	VSS148	R28
B3	VSS052	VSS149	R4
B20	VSS053	VSS150	T12
B22	VSS054	VSS151	T13
B6	VSS055	VSS152	T14
C24	VSS056	VSS153	T15
C28	VSS057	VSS154	T16
C27	VSS058	VSS155	T17
C5	VSS059	VSS156	T2
D12	VSS060	VSS157	U12
D15	VSS061	VSS158	U13
D18	VSS062	VSS159	U14
D3	VSS063	VSS160	U15
D4	VSS064	VSS161	U16
E21	VSS065	VSS162	U17
E24	VSS066	VSS163	U23
E4	VSS067	VSS164	U26
E9	VSS068	VSS165	U27
F14	VSS069	VSS166	U3
F24	VSS070	VSS167	U5
F28	VSS071	VSS168	U13
F29	VSS072	VSS169	U15
G1	VSS073	VSS170	V28
G1	VSS074	VSS171	W2
G3	VSS075	VSS172	W26
G10	VSS076	VSS173	W27
G13	VSS077	VSS174	W27
G19	VSS078	VSS175	Y28
G25	VSS079	VSS176	Y29
G25	VSS080	VSS177	Y4
G26	VSS081	VSS178	AB4
G27	VSS082	VSS179	AB23
H25	VSS083	VSS180	AB5
H28	VSS084	VSS181	AB6
H3	VSS085	VSS182	AD5
H3	VSS086	VSS183	U4
H3	VSS087	VSS184	W24
J1	VSS088	VSS_NCTF_01	A1
J26	VSS089	VSS_NCTF_02	A2
J27	VSS090	VSS_NCTF_03	A28
J4	VSS091	VSS_NCTF_04	A29
J4	VSS092	VSS_NCTF_05	AH1
K23	VSS093	VSS_NCTF_06	AH29
K29	VSS094	VSS_NCTF_07	AJ1
K29	VSS095	VSS_NCTF_08	AJ2
K8	VSS096	VSS_NCTF_09	AJ28
K8	VSS097	VSS_NCTF_10	AJ29
K8	VSS098	VSS_NCTF_011	B1
		VSS_NCTF_012	B29

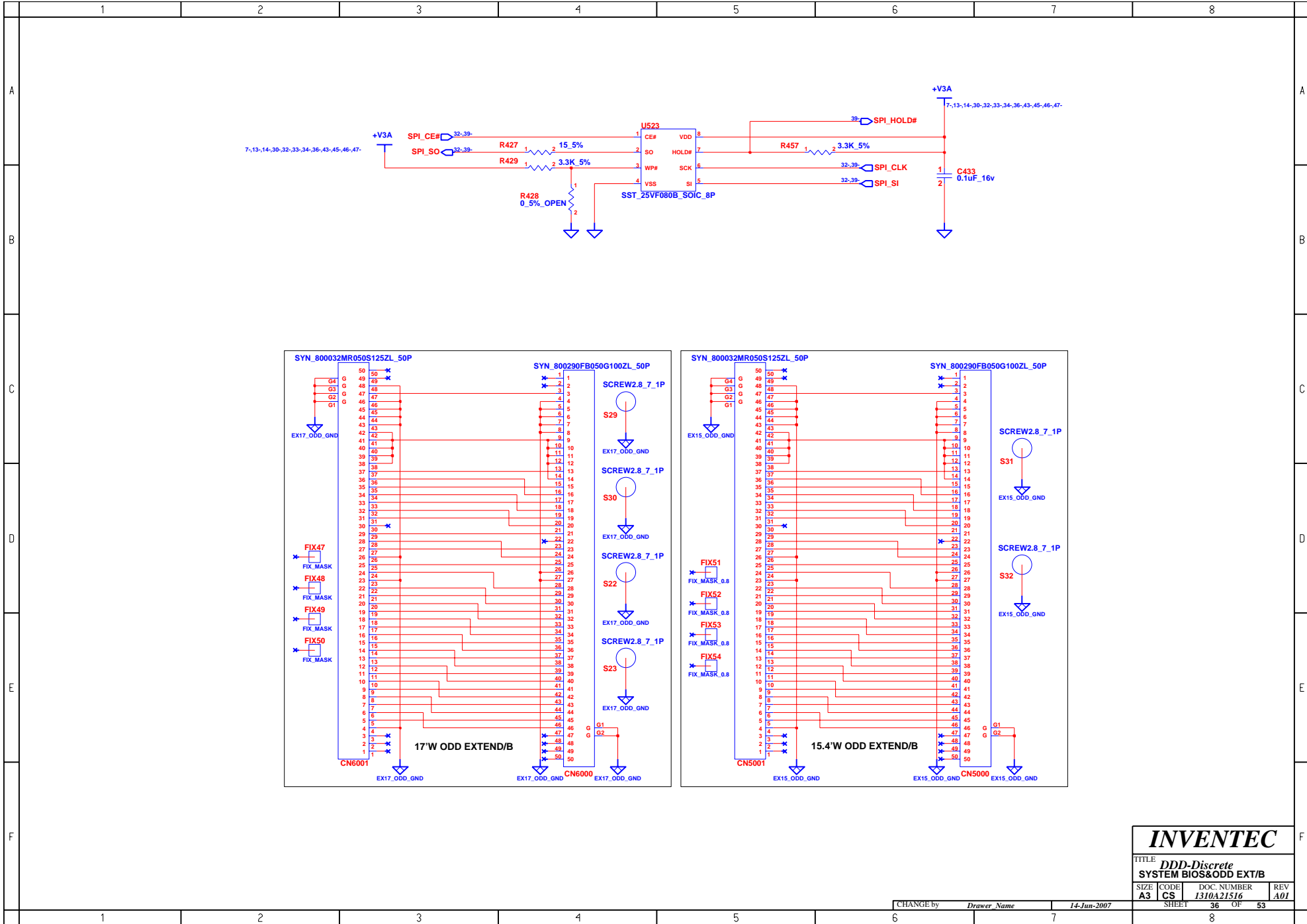
ITL_ICH8_M_BGA_676P

45 ICHGND1
45 ICHGND4
45 ICHGND7
45 ICHGND10

INVENTEC

TITLE
**DDD-Discrete
ICH8-5**

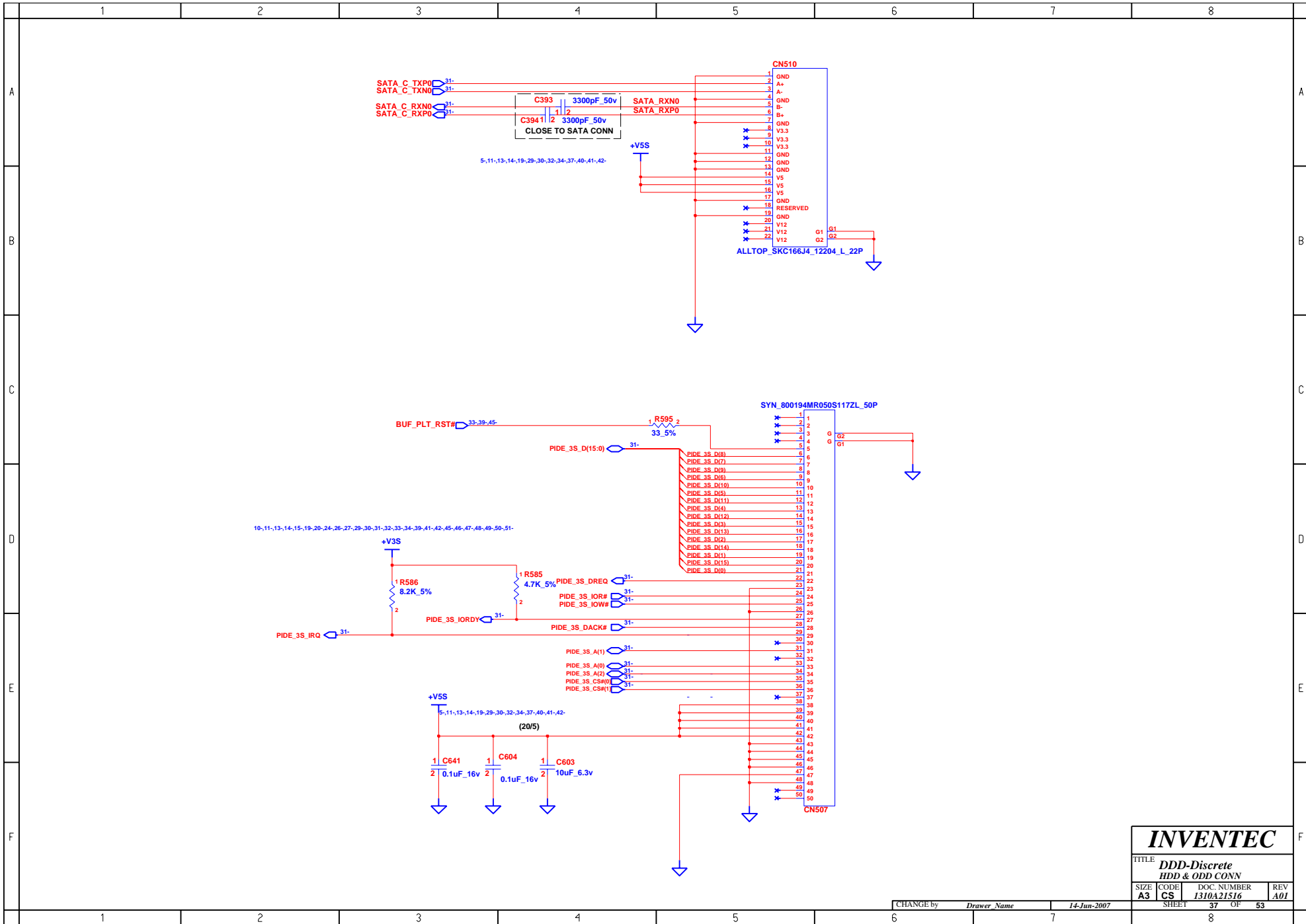
SIZE A3	CODE CS	DOC. NUMBER 1310A21516	REV A01
CHANGE by <i>Drawer Name</i>		14-Jun-2007	SHEET 35 OF 53



INVENTEC

TITLE			
DDD-Discrete			
SYSTEM BIOS&ODD EXT/B			
SIZE	CODE	DOC. NUMBER	REV
A3	CS	I310A21516	A01
CHANGE by		SHEET	OF
Drawer Name		36	53

14-Jun-2007



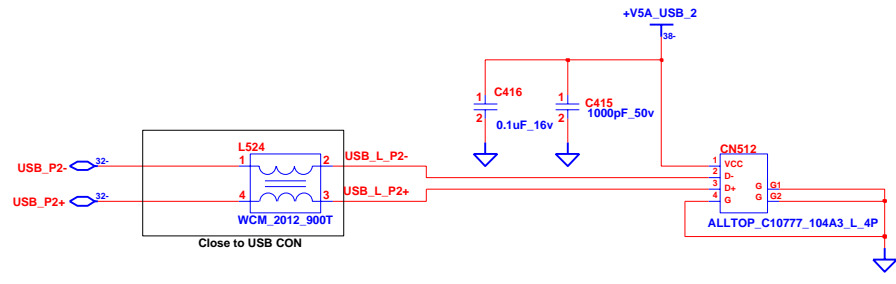
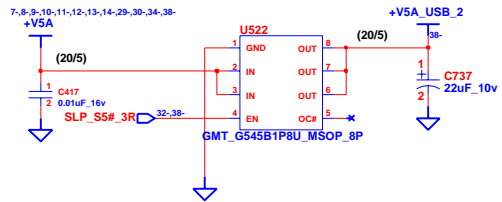
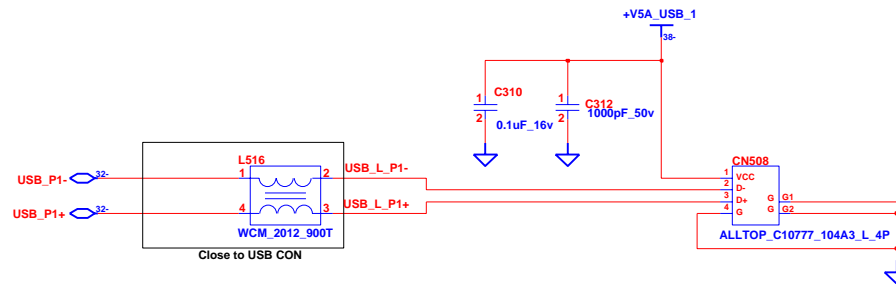
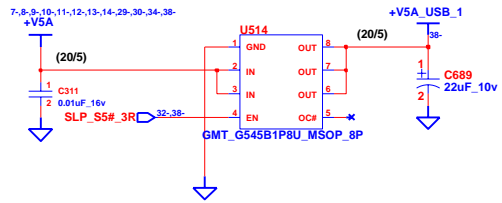
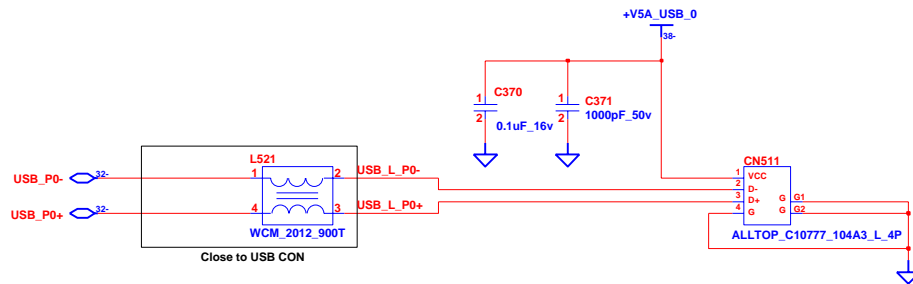
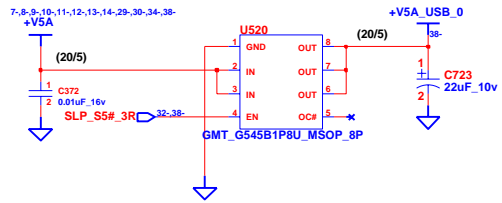
INVENTEC

TITLE
**DDD-Discrete
 HDD & ODD CONN**

SIZE A3	CODE CS	DOC. NUMBER I310A21516	REV A01
-------------------	-------------------	----------------------------------	-------------------

CHANGE by *Drawer Name* 14-Jun-2007

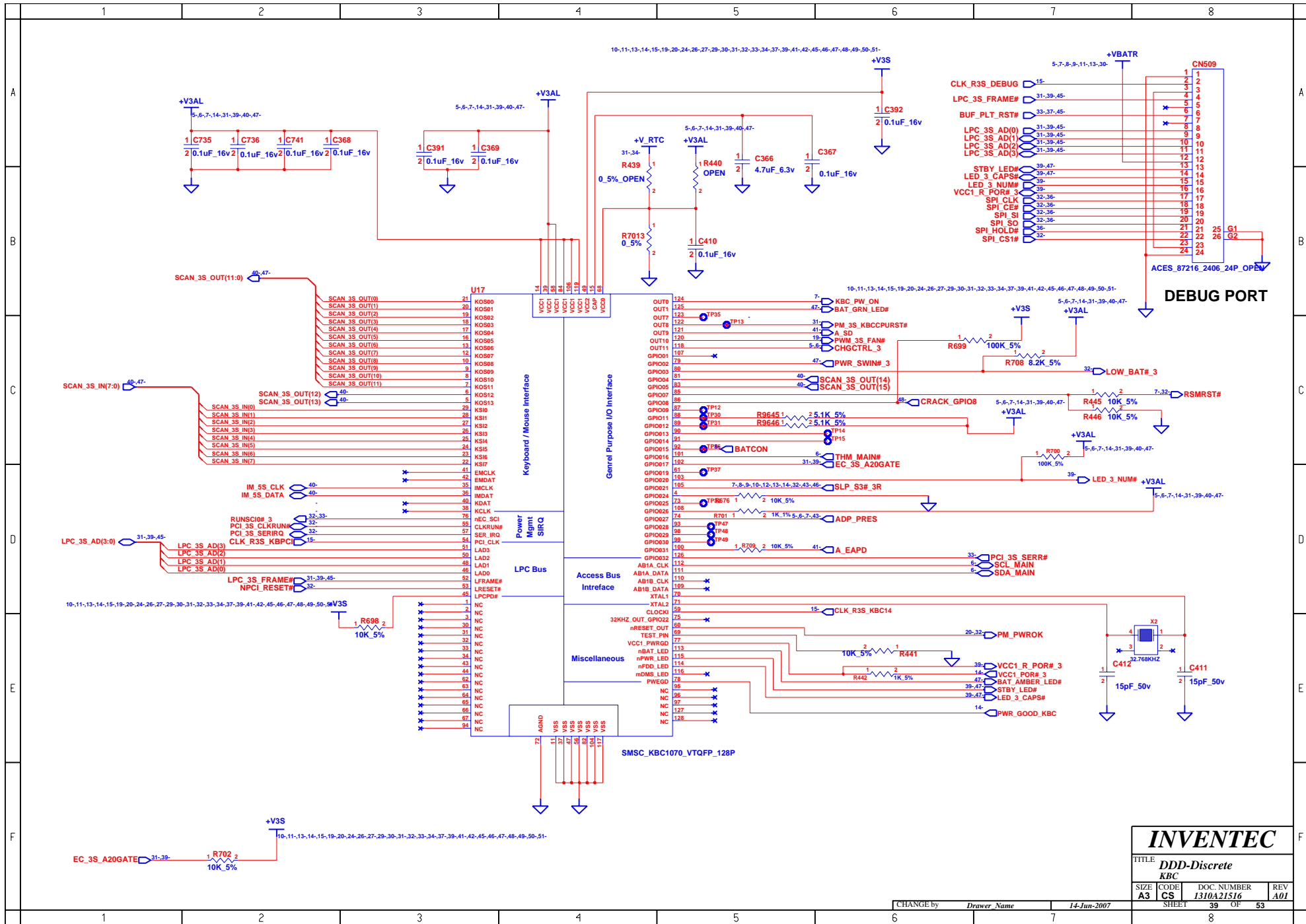
SHEET 37 OF 53



Close to USB CON

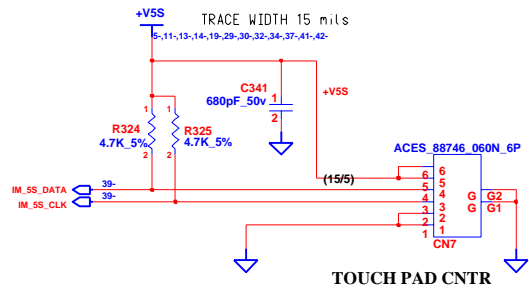
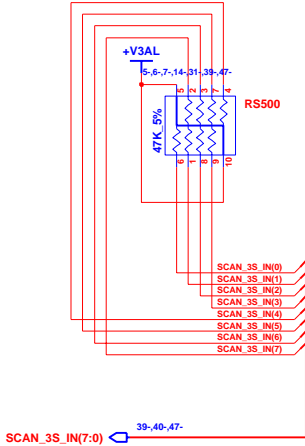
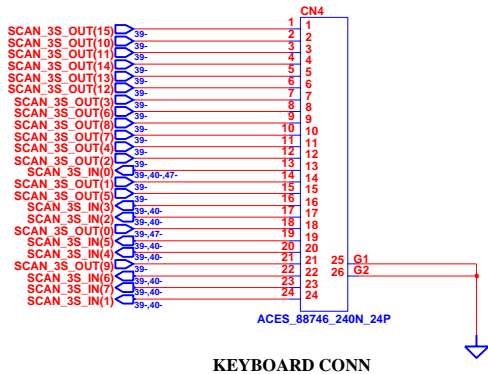
INVENTEC

TITLE			
DDD-Discrete			
USB CONN			
SIZE	CODE	DOC. NUMBER	REV
A3	CS	I310A21516	A01
CHANGE by		Drawer Name	14-Jun-2007
SHEET		38	OF 53



INVENTEC			
TITLE DDD-Discrete			
KBC			
SIZE A3	CODE CS	DOC. NUMBER I310A21516	REV A01
CHANGE by <i>Drawer Name</i>		14-Jun-2007	
SHEET 39		OF 53	

A



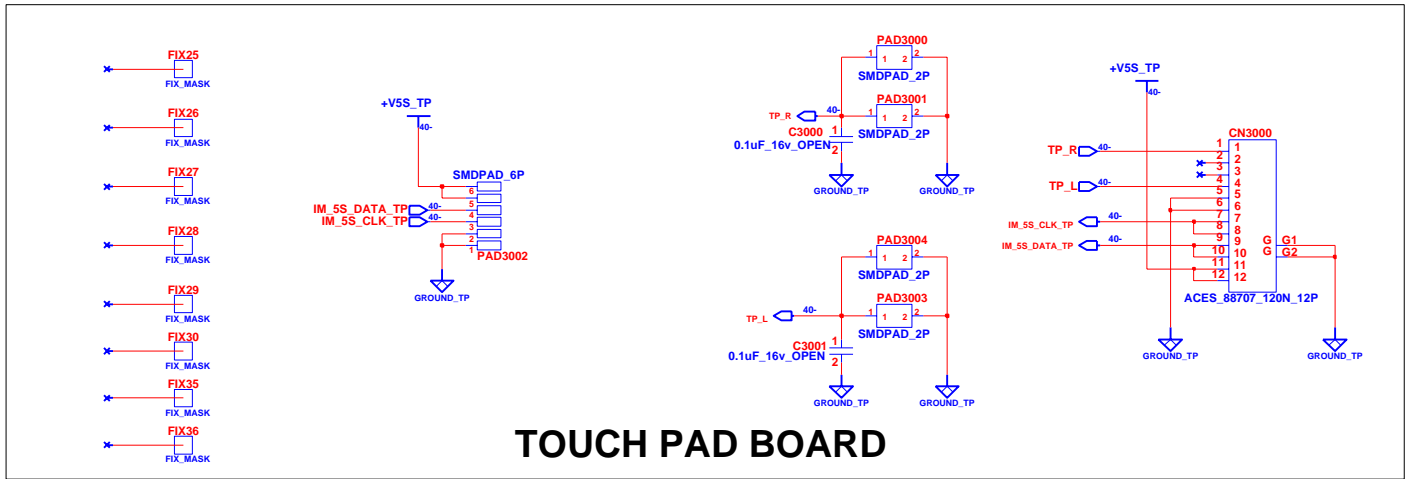
B

A

B

C

C



D

D

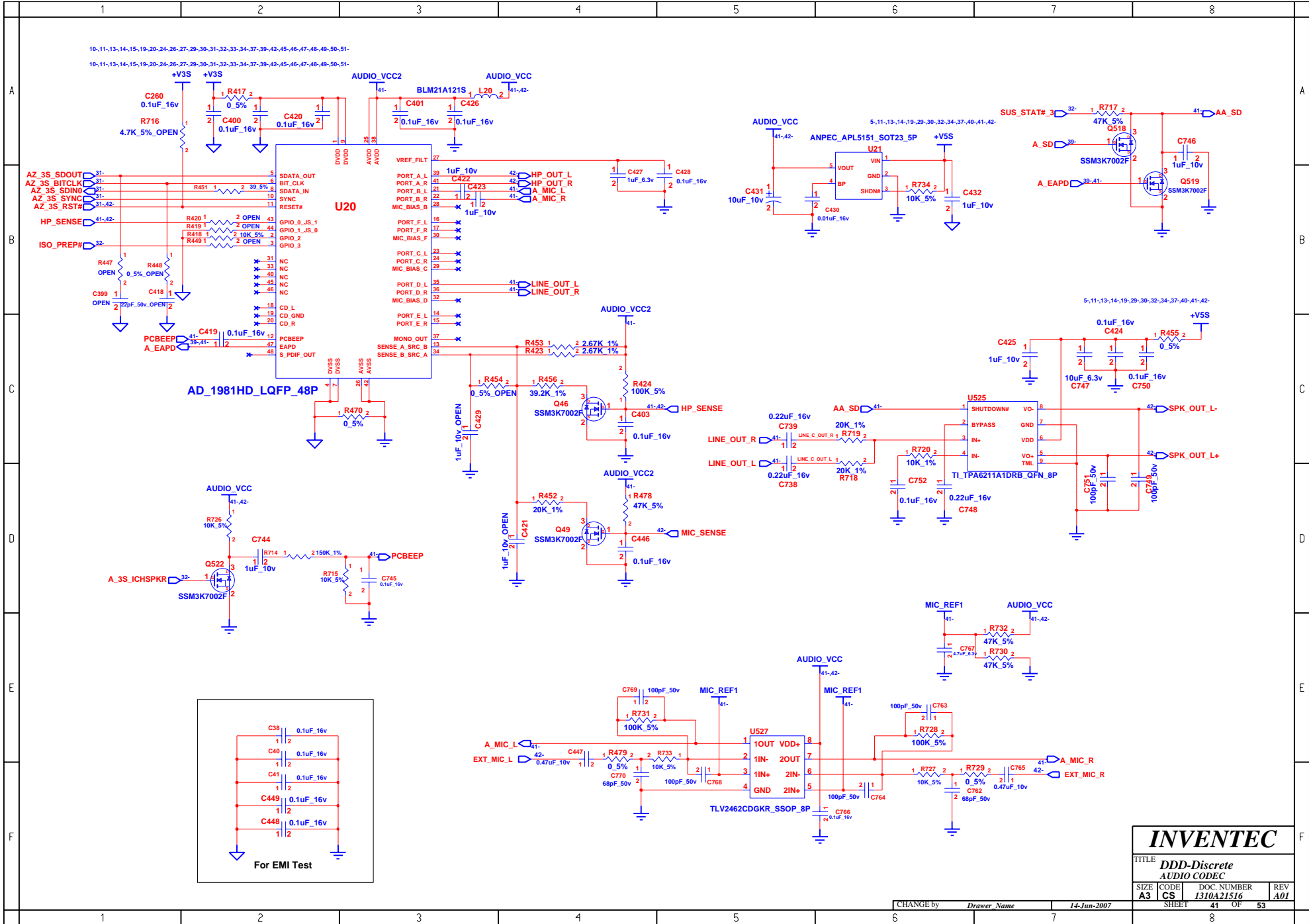
E

E

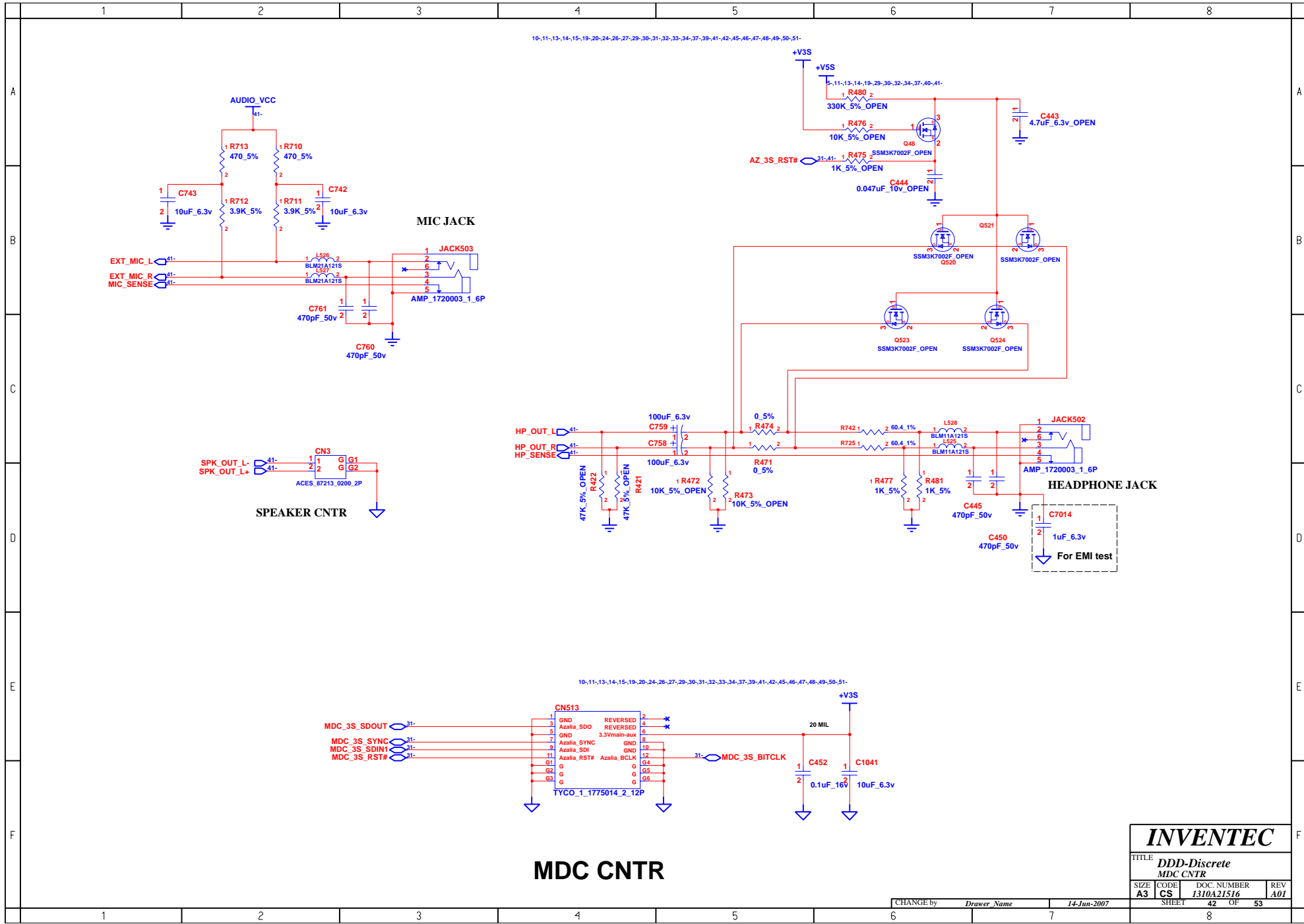
F

F

INVENTEC			
TITLE DDD-Discrete KB & TP CONN			
SIZE A3	CODE CS	DOC. NUMBER 1310A21516	REV A01
CHANGE by Drawer Name		14-Jun-2007	
SHEET 40		OF 53	

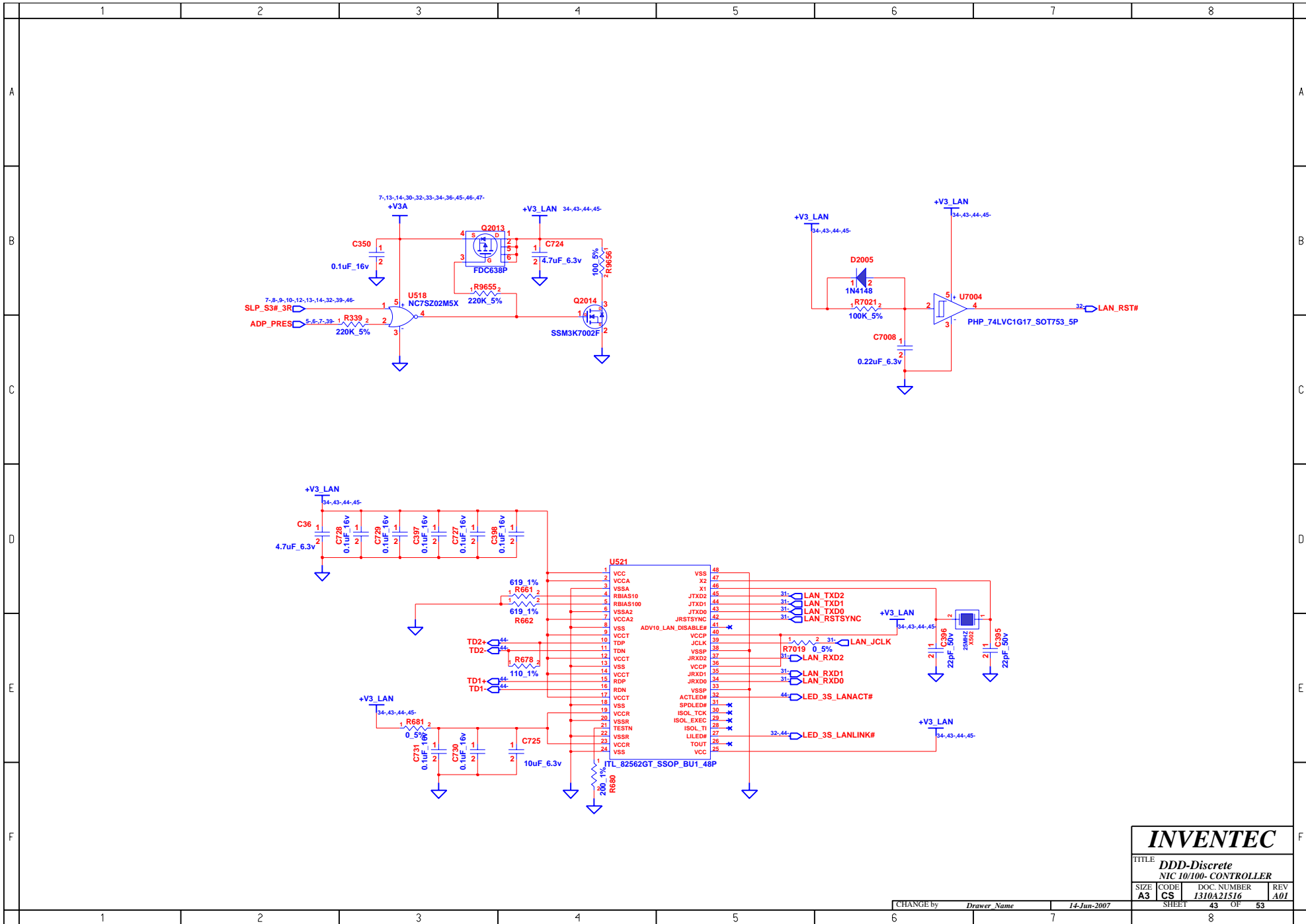


INVENTEC			
TITLE DDD-Discrete AUDIO CODEC			
SIZE	CODE	DOC. NUMBER	REV
A3	CS	1310A21516	A01
CHANGE by		Drawer Name	14-Jun-2007
		SHEET	41 OF 53



MDC CNTR

INVENTEC			
TITLE DDD-Discrete MDC CNTR			
SIZE A3	CODE CS	DOC. NUMBER I310A21516	REV A01



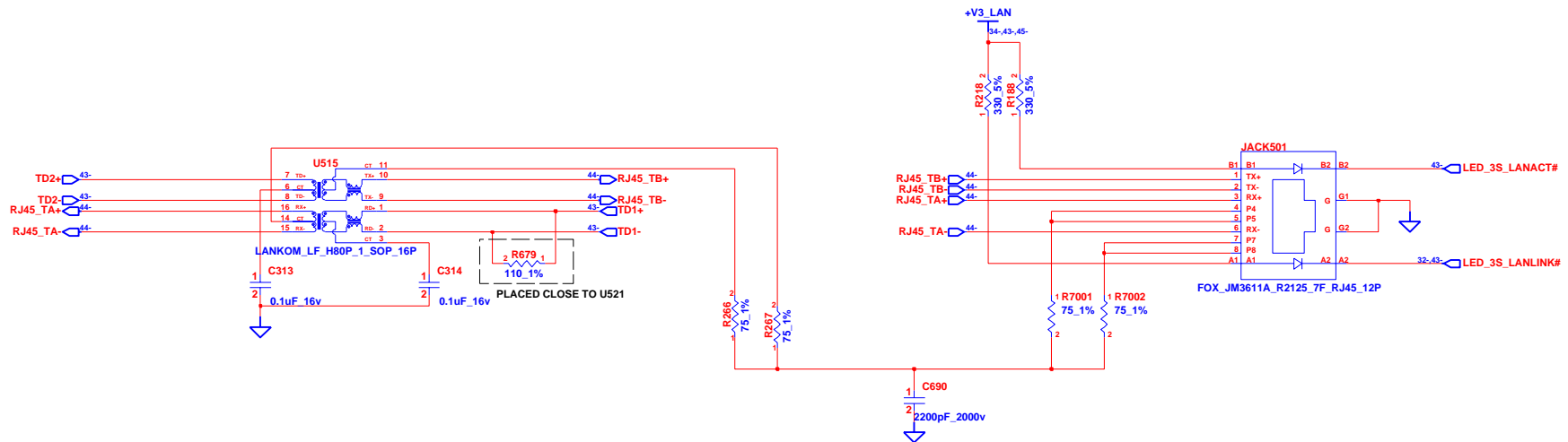
INVENTEC

TITLE
DDD-Discrete
NIC 10/100- CONTROLLER

SIZE A3	CODE CS	DOC. NUMBER I310A21516	REV A01
-------------------	-------------------	----------------------------------	-------------------

CHANGE by *Drawer Name* 14-Jun-2007

SHEET 43 OF 53



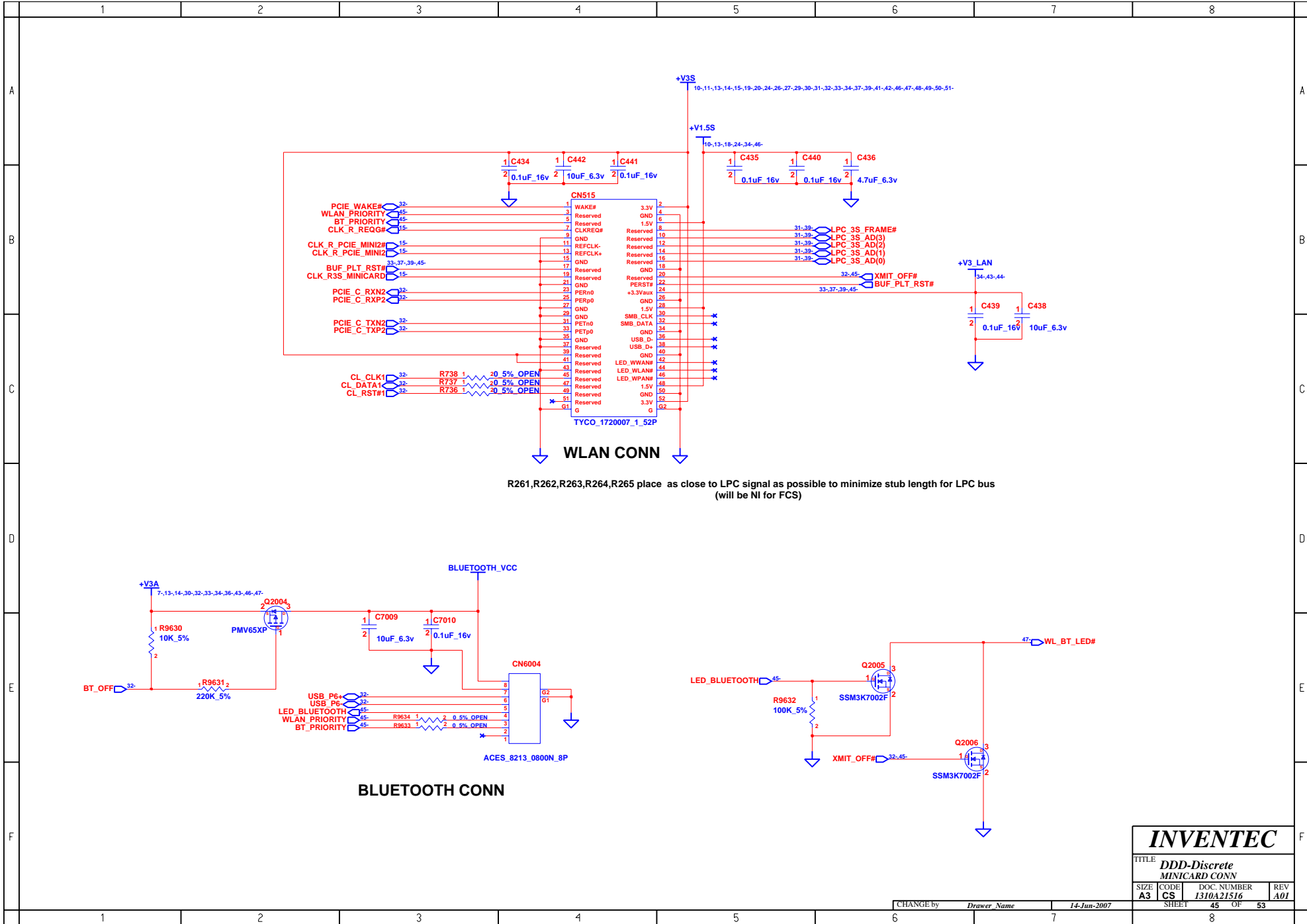
INVENTEC

TITLE *DDD-Discrete*
NIC 10/100 - RJ45

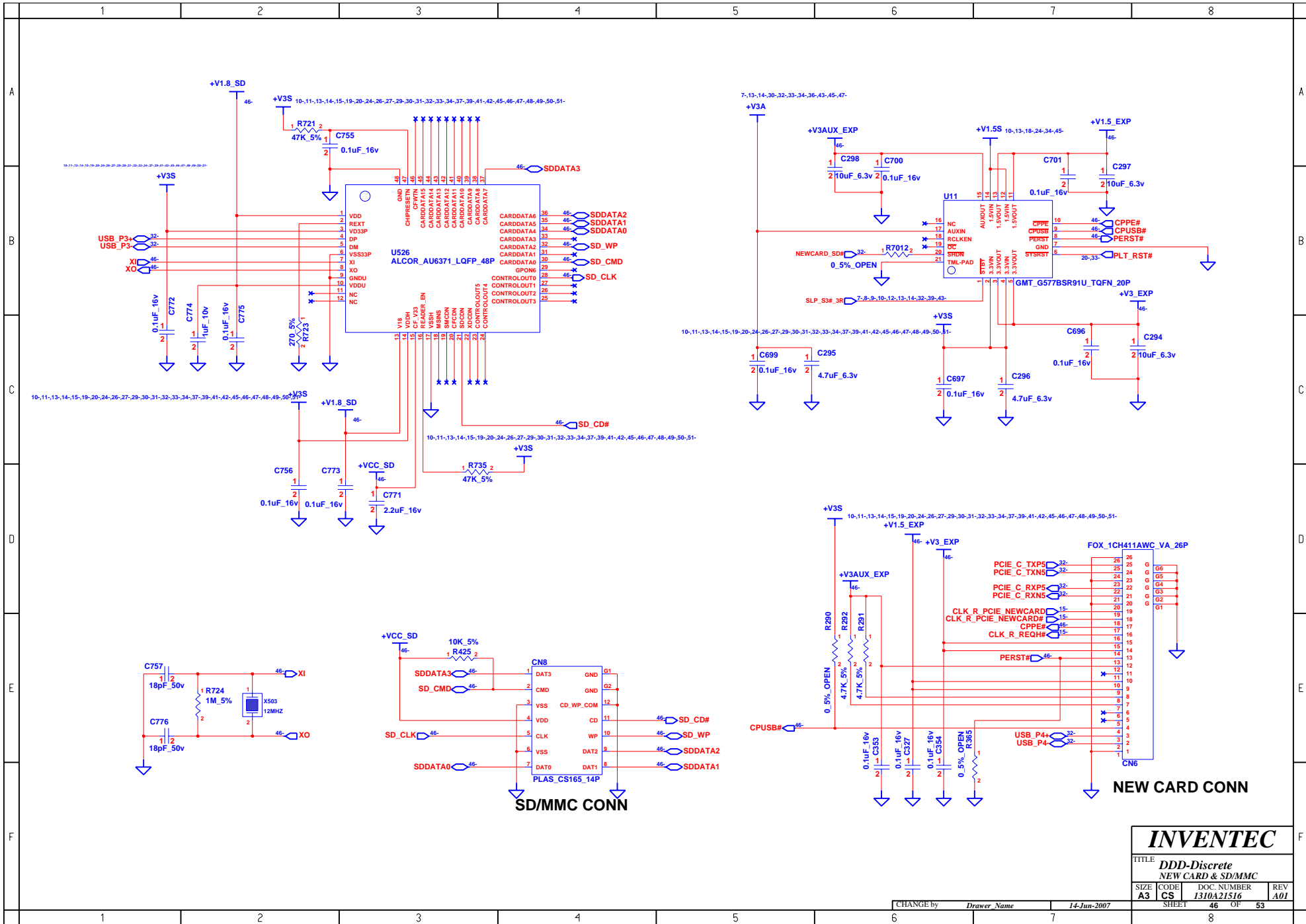
SIZE A3	CODE CS	DOC. NUMBER 1310A21516	REV A01
----------------	----------------	-------------------------------	----------------

CHANGE by *Drawer Name* 14-Jun-2007

SHEET 44 OF 53



INVENTEC			
TITLE DDD-Discrete MINICARD CONN			
SIZE A3	CODE CS	DOC. NUMBER I310A21516	REV A01
CHANGE by <i>Drawer Name</i>		14-Jun-2007	SHEET 45 OF 53



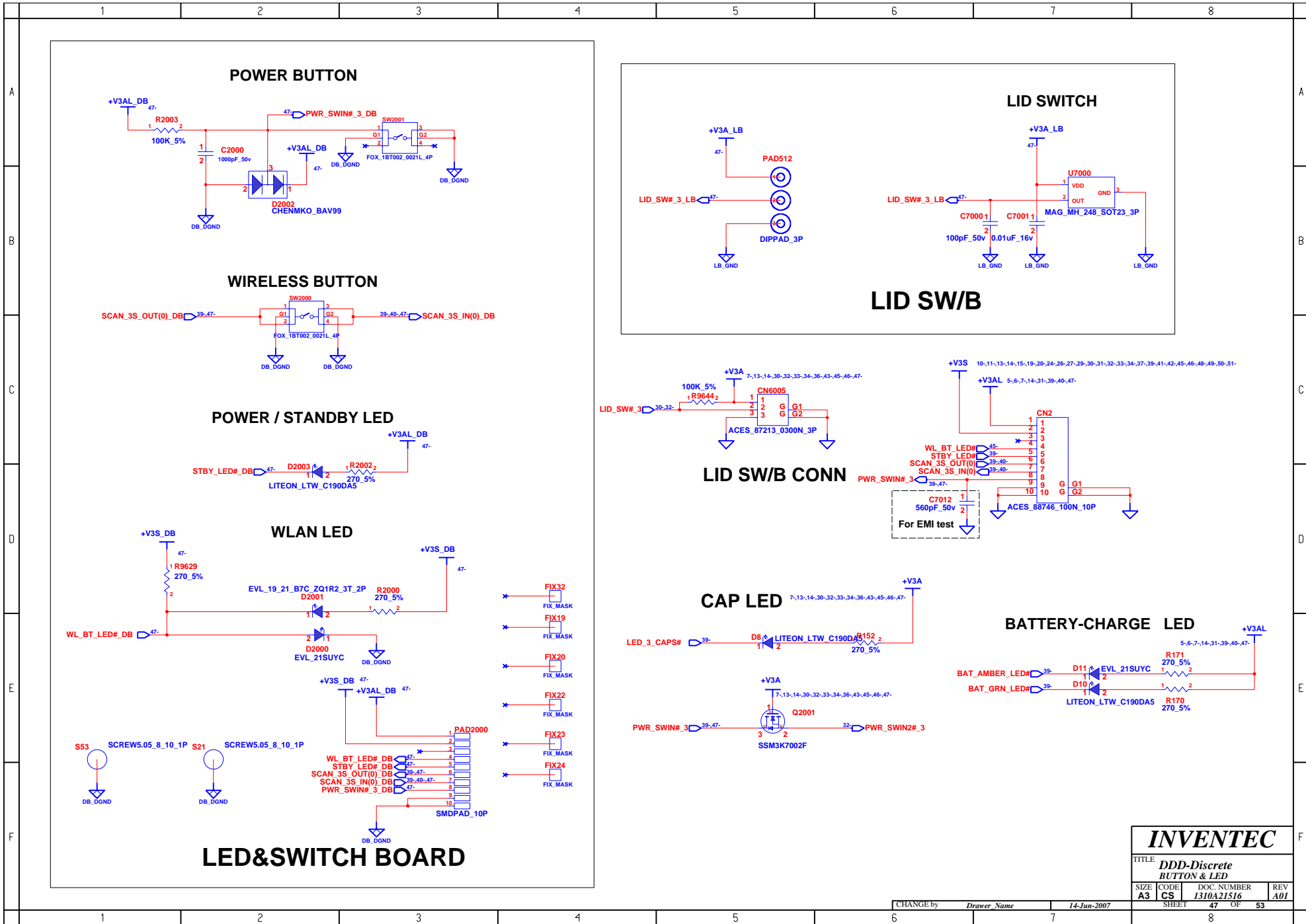
INVENTEC

TITLE
DDD-Discrete
NEW CARD & SD/MMC

SIZE	CODE	DOC. NUMBER	REV
A3	CS	1310A21516	A01

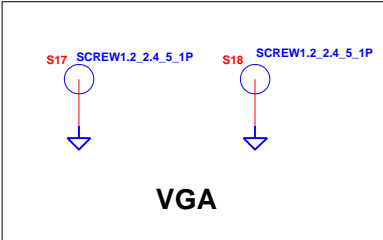
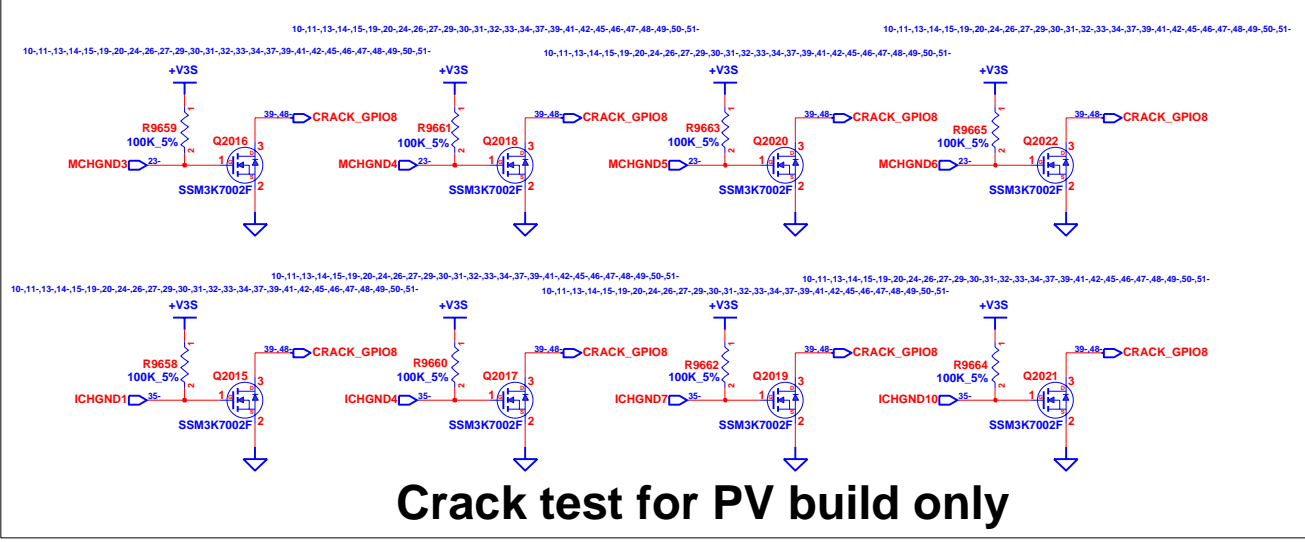
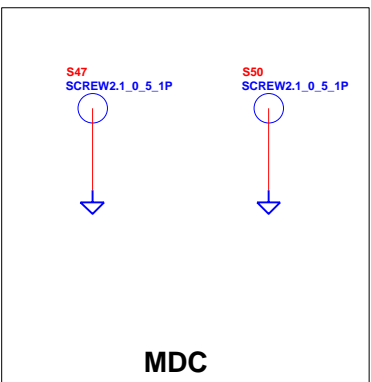
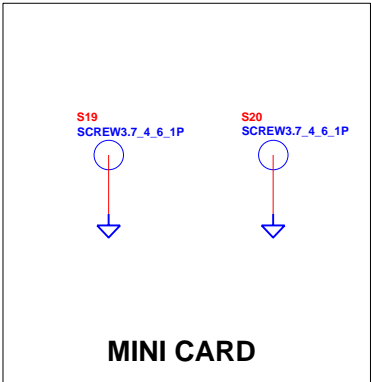
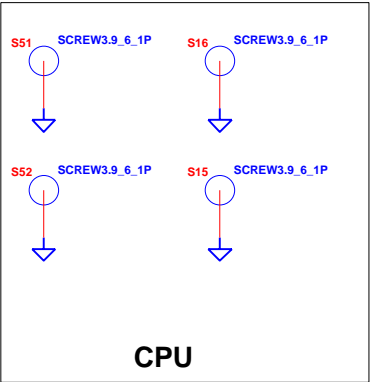
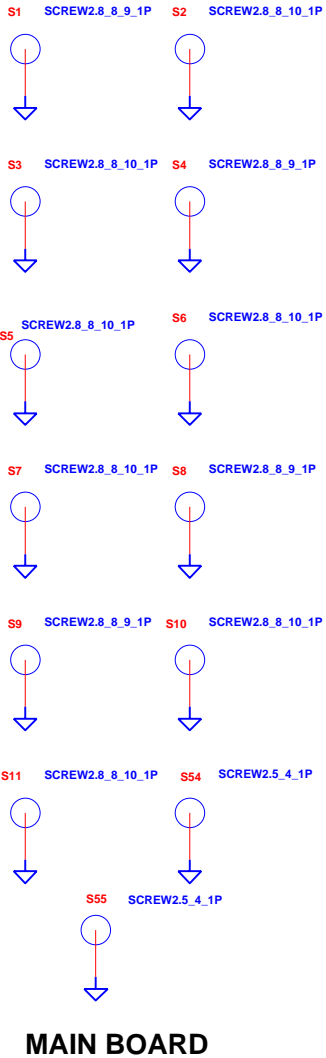
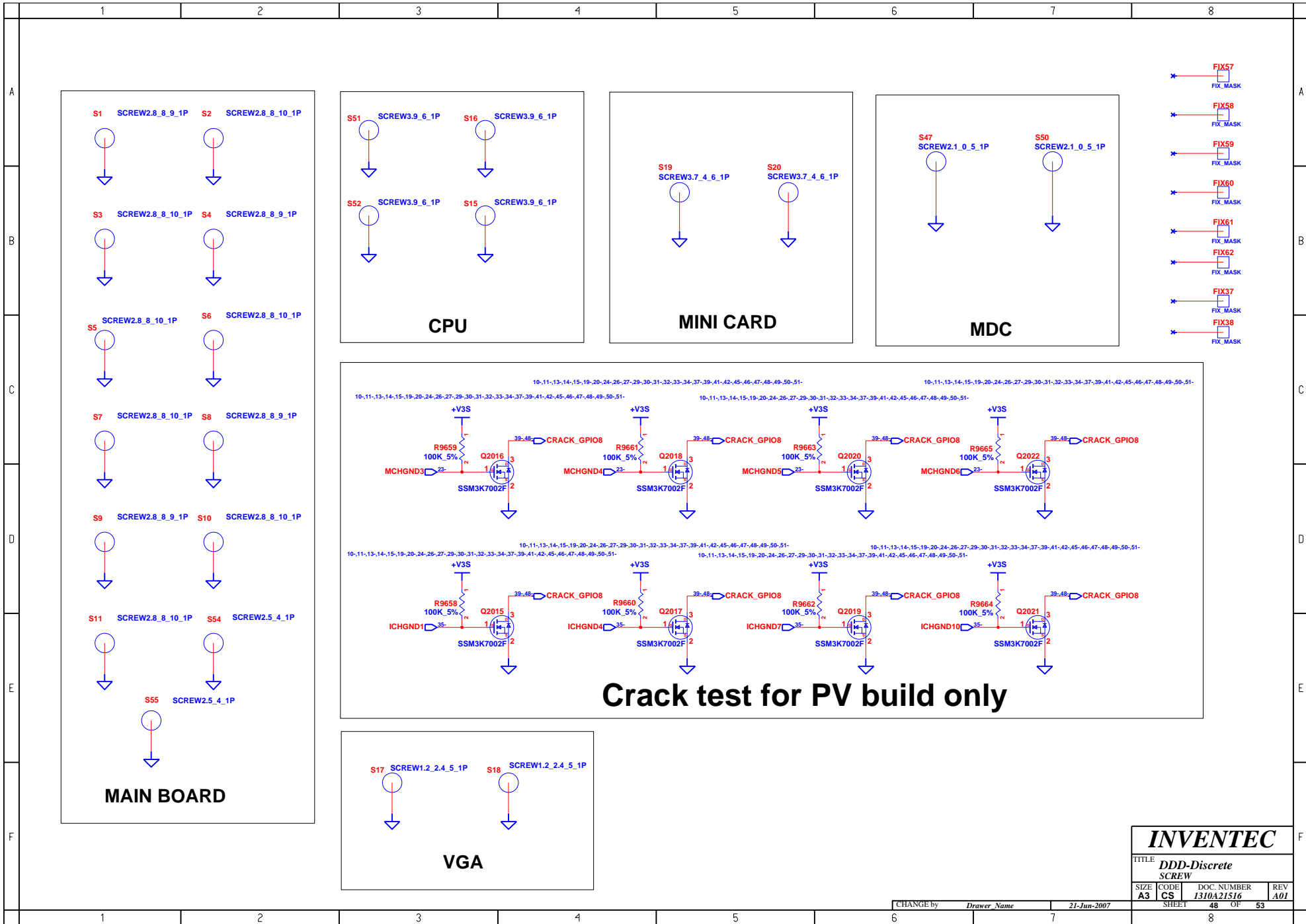
CHANGE by *Drawer Name* 14-Jun-2007

SHEET 46 OF 53



LED&SWITCH BOARD

INVENTEC			
TITLE DDD-Discrete BUTTON & LED			
SIZE A3	CODE CS	DOC. NUMBER I310A21516	REV A01
CHANGE by <i>Drawer Name</i>		14-Jun-2007	
SHEET 47		OF 53	



- FIX57
FIX_MASK
- FIX58
FIX_MASK
- FIX59
FIX_MASK
- FIX60
FIX_MASK
- FIX61
FIX_MASK
- FIX62
FIX_MASK
- FIX37
FIX_MASK
- FIX38
FIX_MASK

INVENTEC			
TITLE DDD-Discrete SCREW			
SIZE A3	CODE CS	DOC. NUMBER 1310A21516	REV A01
CHANGE by Drawer Name		21-Jun-2007	SHEET 48 OF 53

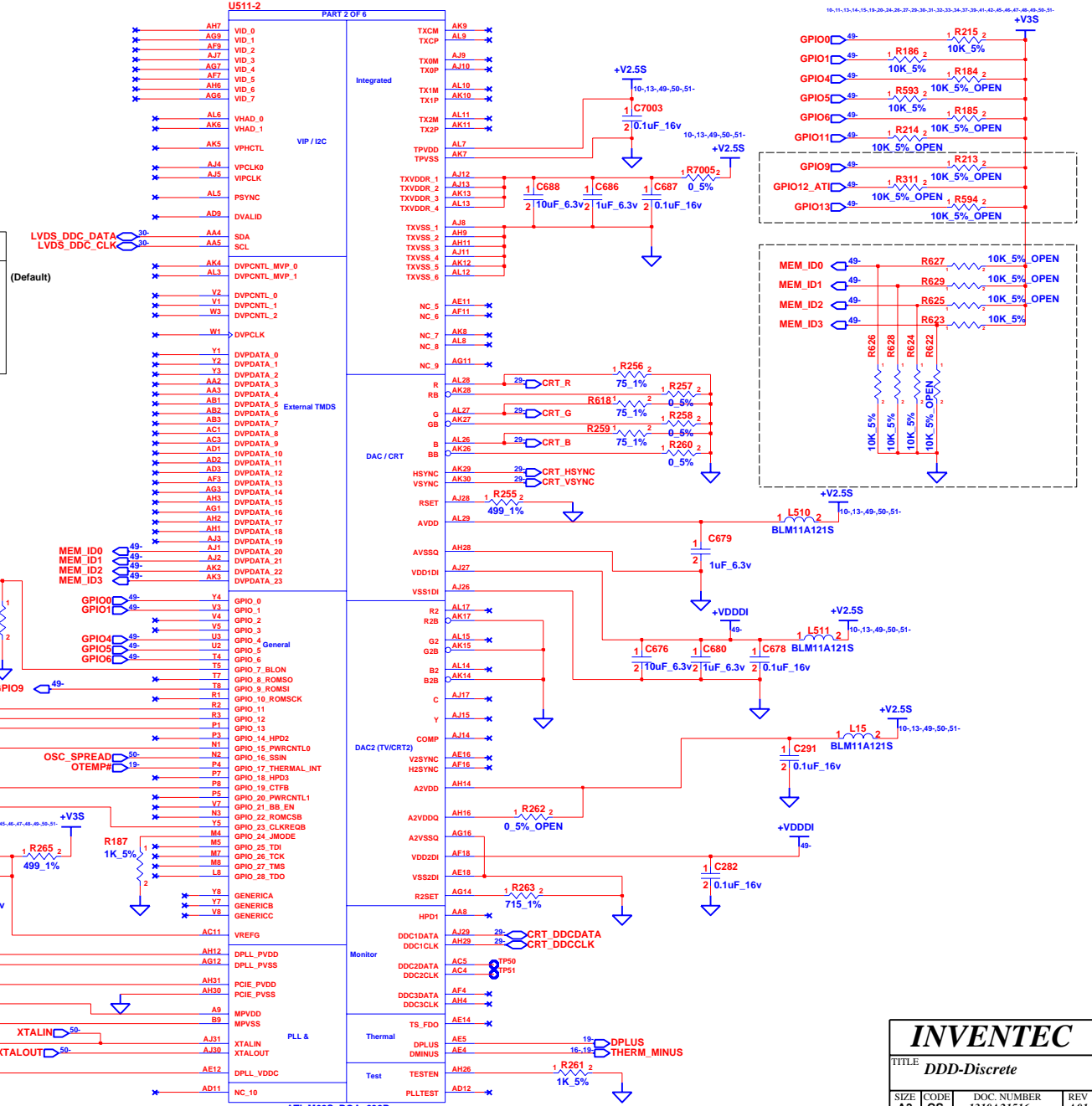
STRAPS	PIN	DESCRIPTION OF DEFAULT SETTINGS	
TX_PWRS_ENB	GPIO0	PCIE FULL TX OUTPUT SWING	X
TX_DEEMPH_EN	GPIO1	PCIE TRANSMITTER DE-EMPHASIS ENABLED	1
BIF_DEBUG_ACCESS	GPIO4	DEBUG SIGNALS MUXED OUT	0
PLL_IBIAS_RD_1	GPIO6	BIAS CURRENT FOR PCIE PHY PLL MSBIT	0
PLL_IBIAS_RD_0	GPIO5	BIAS CURRENT FOR PCIE PHY PLL LSBIT	1
ROMIDCFG(3:0)	GPIO[13:11,9]	DISABLE EXTERNAL BIOS ROM	X X X X

X = DESIGN DEPENDANT
 0 = DO NOT INSTALL RESISTOR
 1 = INSTALL 10K RESISTOR

GPIO_13	GPIO_12	GPIO_9	For DIS-GDDR2 & GDDR1
0	0	0	128M memory aperture (Default)
0	1	0	256M memory aperture
1	0	0	64M memory aperture
1	1	0	reserved

For DIS-GDDR2				
MEM_ID3	MEM_ID2	MEM_ID1	MEM_ID0	vendor
0	0	0	0	X
0	0	0	1	samsung (128MB)
1	0	0	1	samsung (64MB)
0	0	1	0	infineon (128MB)
1	0	1	0	infineon (64MB)
0	1	0	0	hynix (128MB)
1	1	0	0	hynix (64MB)

For DIS-GDDR1				
MEM_ID3	MEM_ID2	MEM_ID1	MEM_ID0	vendor
0	1	0	1	samsung (64MB-300MHz)
0	1	1	0	hynix (64MB-300MHz)
0	1	1	1	hynix (128MB-300MHz)
1	0	0	0	hynix (128MB-350MHz)

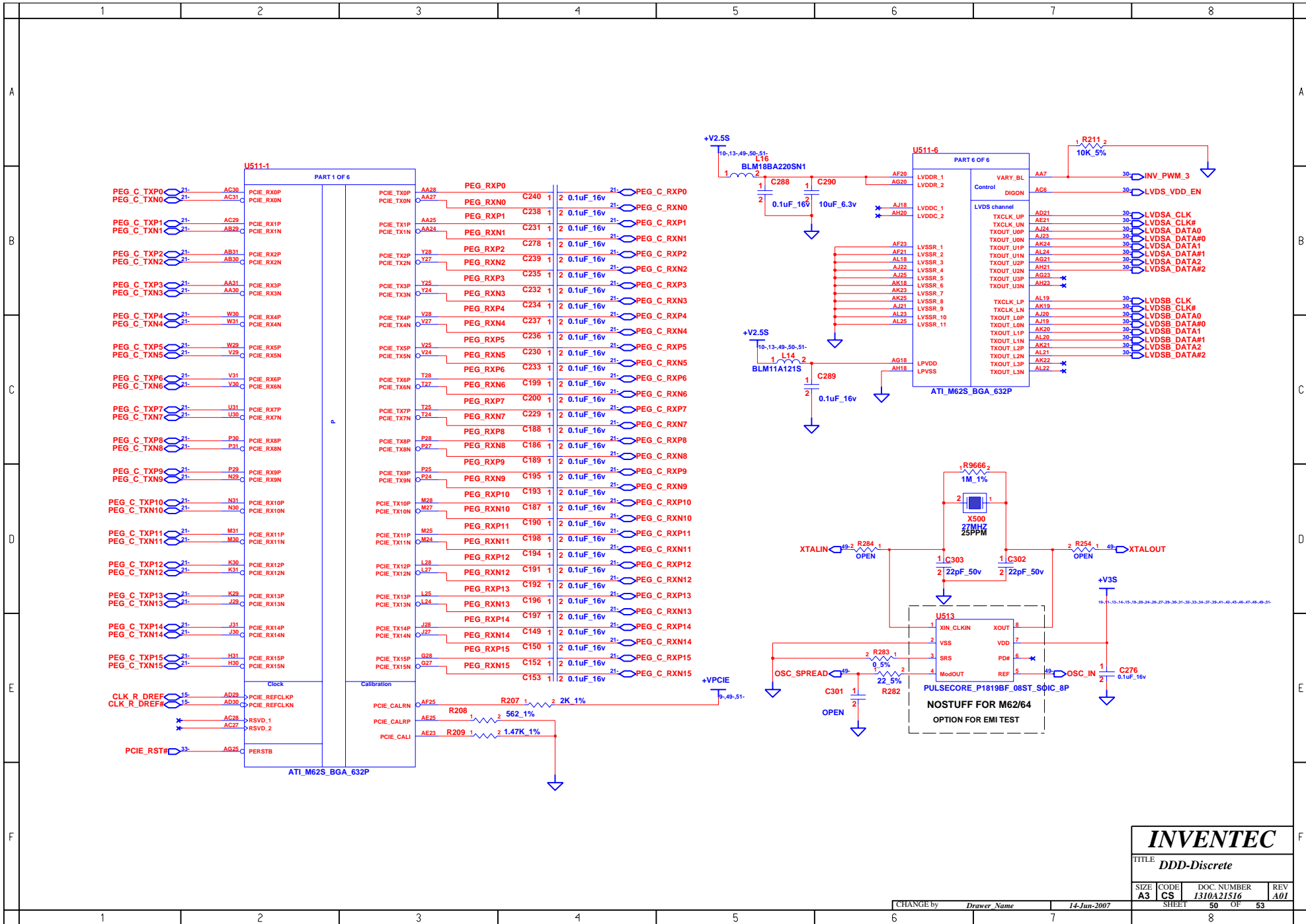


INVENTEC

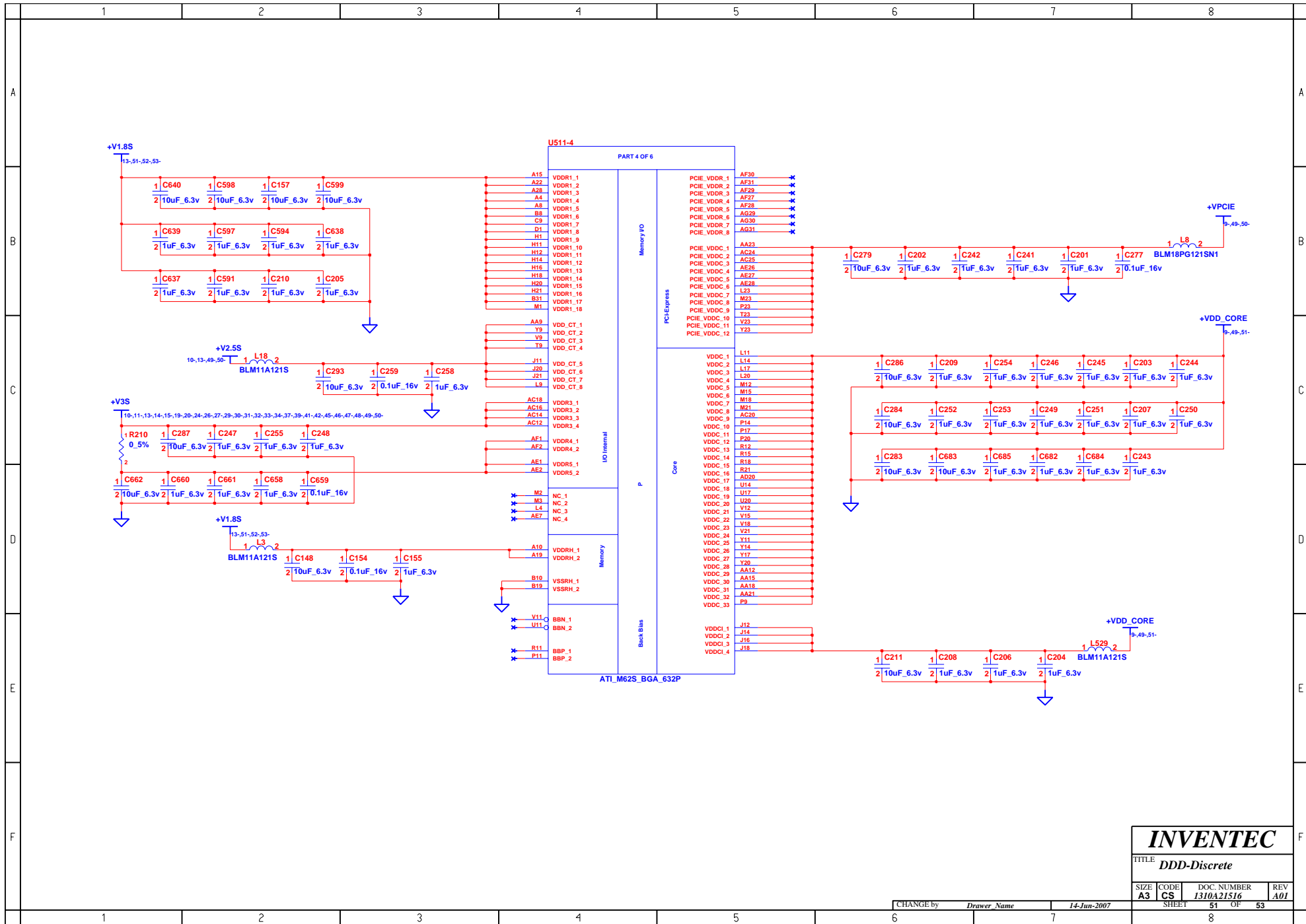
TITLE: DDD-Discrete

SIZE	CODE	DOC. NUMBER	REV
A3	CS	1310A21516	A01

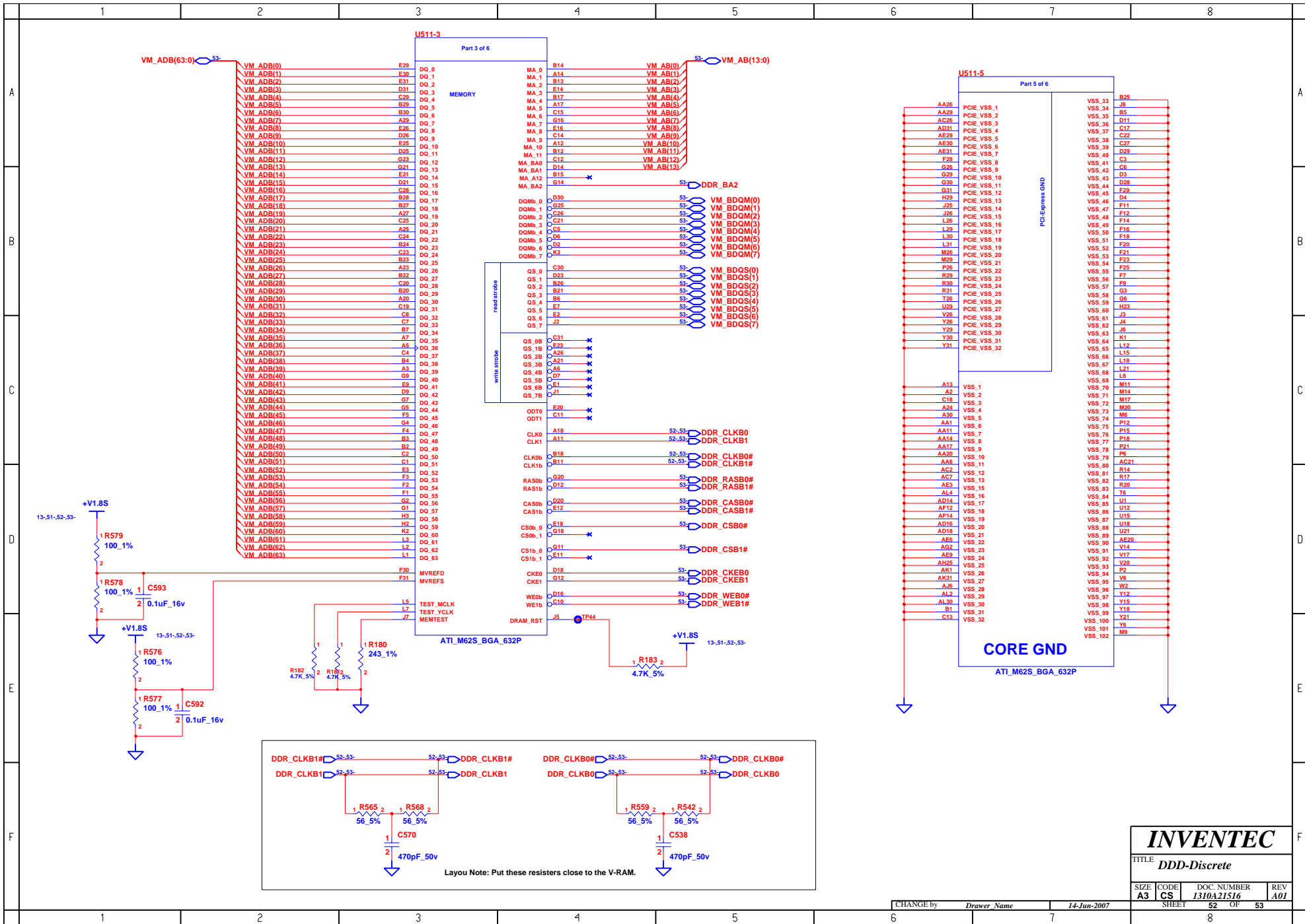
SHEET 49 OF 53



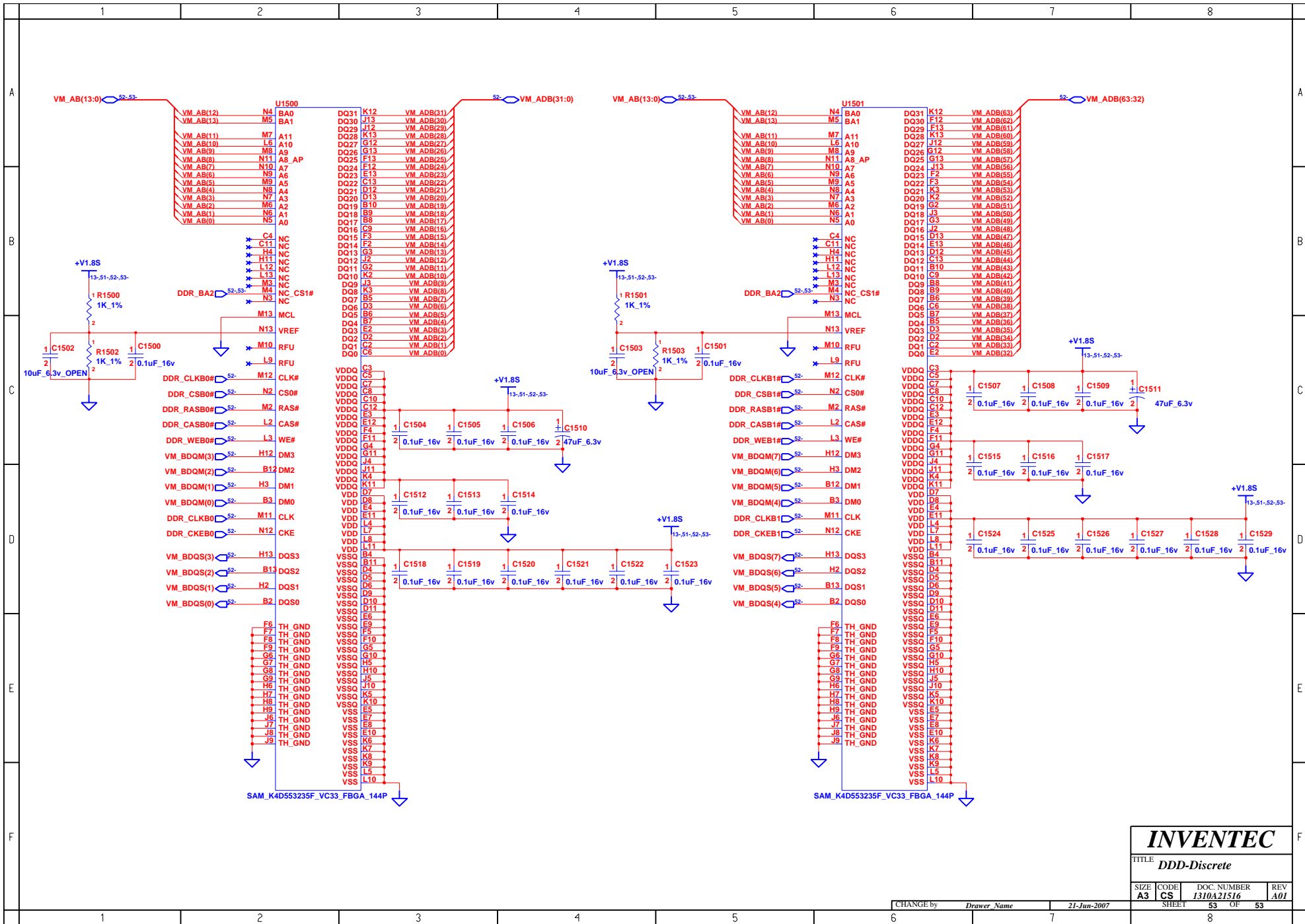
INVENTEC			
TITLE DDD-Discrete			
SIZE A3	CODE CS	DOC. NUMBER I310A21516	REV A01
CHANGE by Drawer Name		14-Jun-2007	
SHEET 50		OF 53	



INVENTEC			
TITLE <i>DDD-Discrete</i>			
SIZE A3	CODE CS	DOC. NUMBER <i>1310A21516</i>	REV A01
CHANGE by <i>Drawer Name</i>		14-Jun-2007	
SHEET		51 OF 53	



INVENTEC			
TITLE DDD-Discrete			
SIZE A3	CODE CS	DOC. NUMBER I310A21516	REV A01
CHANGE by Drawer Name		14-Jun-2007	
SHEET		52 OF 53	



INVENTEC

TITLE
DDD-Discrete

SIZE A3	CODE CS	DOC. NUMBER I310A21516	REV A01
------------	------------	---------------------------	------------

CHANGE by *Drawer Name* 21-Jun-2007

SHEET 53 OF 53