

GT-S5360 REV0.7

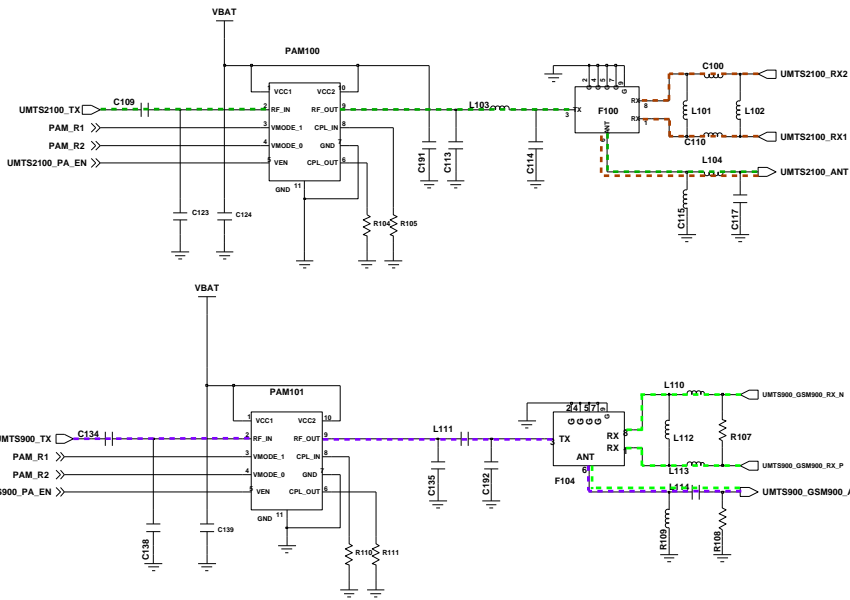
(TOTORO)

REFERENCE

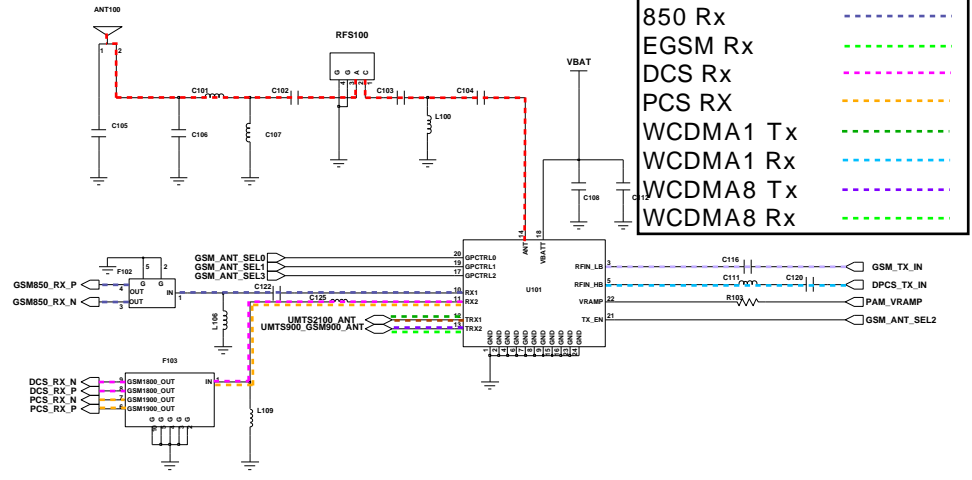
Page 1 : RF Part I	100
Page 2 : RF Part II (GPS, BT WIFI, FM)	200
Page 3 : BCM21552	300
Page 4 : MAX8986	400
Page 5 : AUDIO, MOTOR, IF CON	500
Page 6 : CONNECTORS & SENSOR	600

Engineer	SAMSUNG	Table of Contents	
Drawn By	Seog	TITLE	Size A3
RAO CHK		GT-S5360 REV0.7	
DOC CTRL CHK			
MFG ENGR CHK			

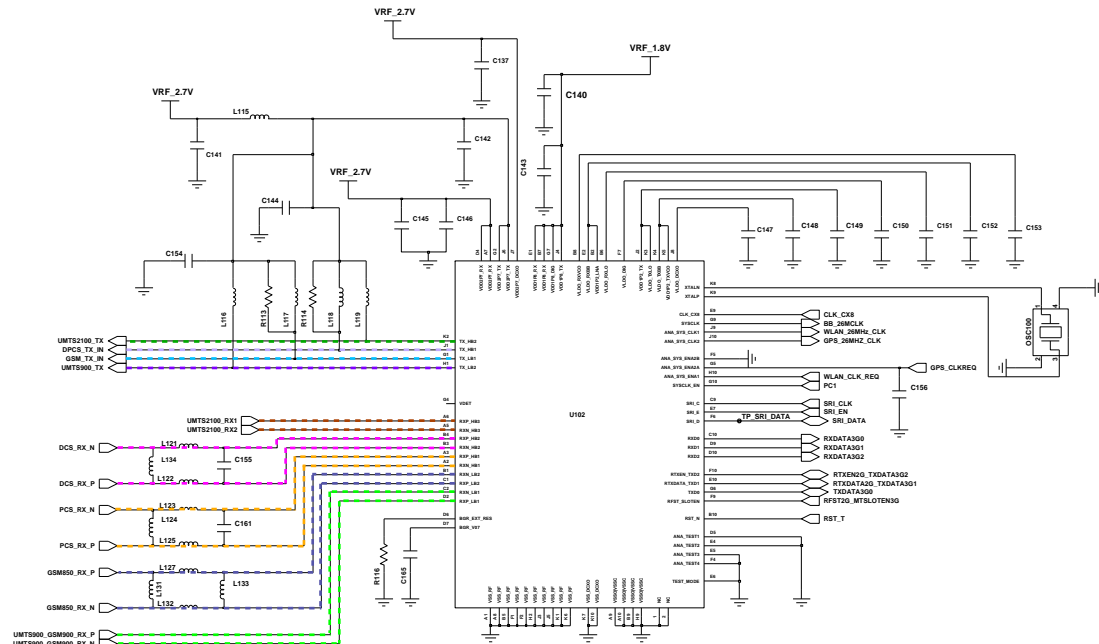
3G PAM



Main Intenna pad

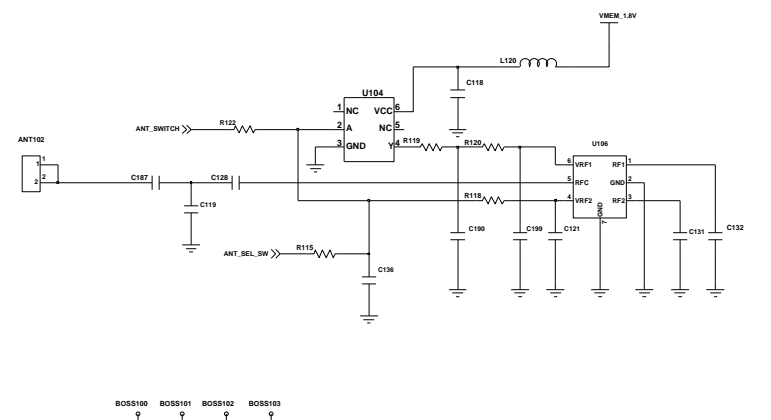


- ANT
- 850/EGSM Tx
- DCS/PCS Tx
- 850 Rx
- EGSM Rx
- DCS Rx
- PCS RX
- WCDMA 1 Tx
- WCDMA 1 Rx
- WCDMA8 Tx
- WCDMA8 Rx

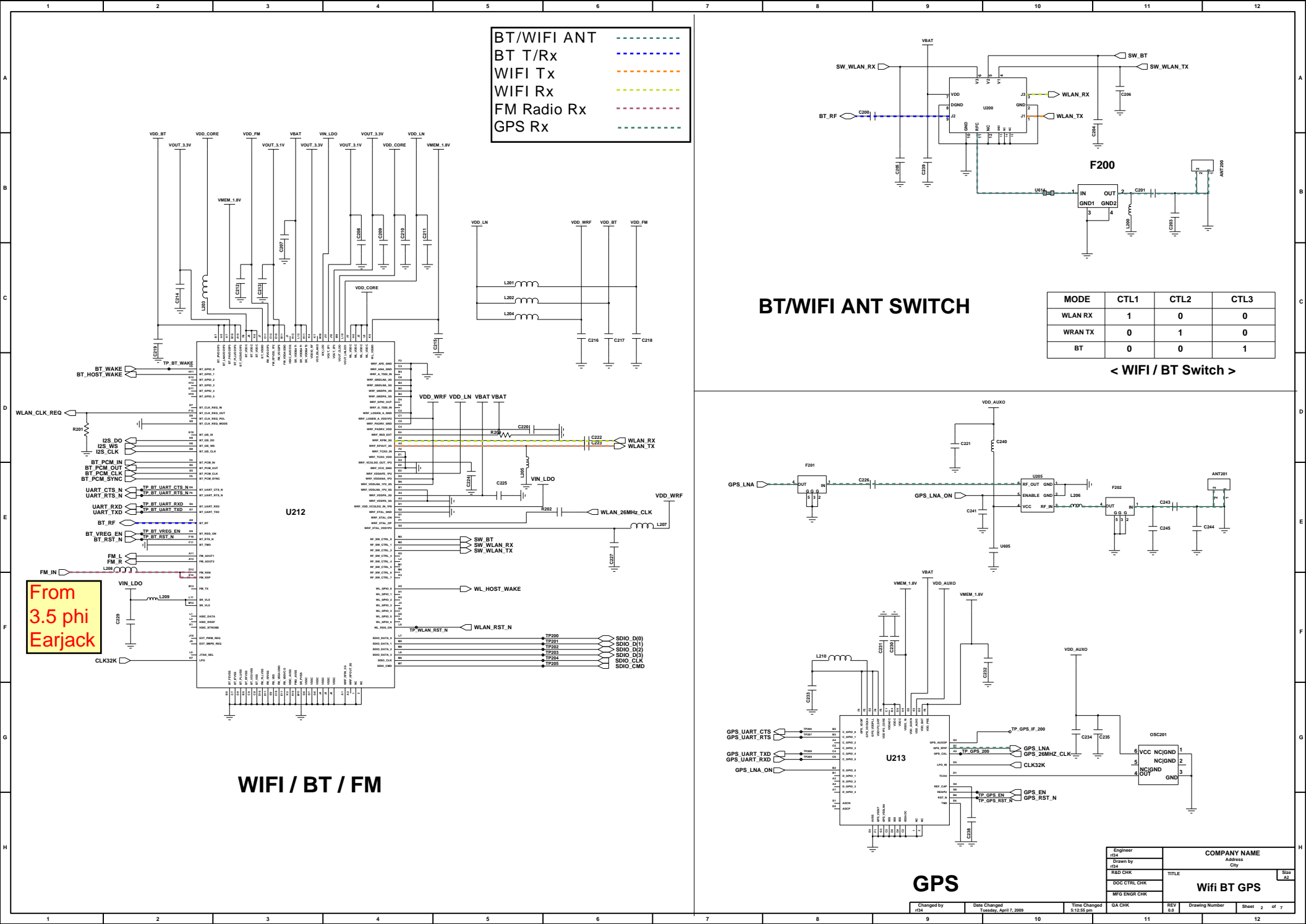


TRANSCEIVER

CONTROL	GSM_ANT_SEL0	GSM_ANT_SEL1	GSM_ANT_SEL2	GSM_ANT_SEL3
STNFBY	L	L	L	L
GSM850 RX	L	L	L	H
GSM1800/1900 RX	L	H	L	L
UMTS 900 TRX / GSM900 RX	H	L	L	L
UMTS 2100 TRX	H	H	L	L
GSM850/900 TX	L	H	H	L
DCS/PCS TX	H	H	H	L



Engineer rtm	COMPANY NAME
Drawn By rtm	Address
READ CHK	City
DOC CTRL CHK	TITLE
MFG ENGR CHK	2G 3G RF
QA CHK	REV 0.0
REV 0.0	Drawing Number
Sheet 1	of 7



- BT/WIFI ANT (dotted blue)
- BT T/Rx (dotted blue)
- WIFI Tx (dotted orange)
- WIFI Rx (dotted green)
- FM Radio Rx (dotted red)
- GPS Rx (dotted green)

BT/WIFI ANT SWITCH

MODE	CTL1	CTL2	CTL3
WLAN RX	1	0	0
WRAN TX	0	1	0
BT	0	0	1

< WIFI / BT Switch >

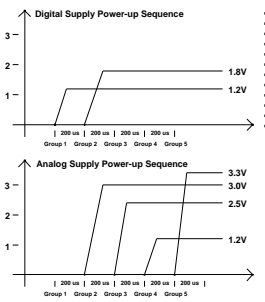
From 3.5 phi Earjack

WIFI / BT / FM

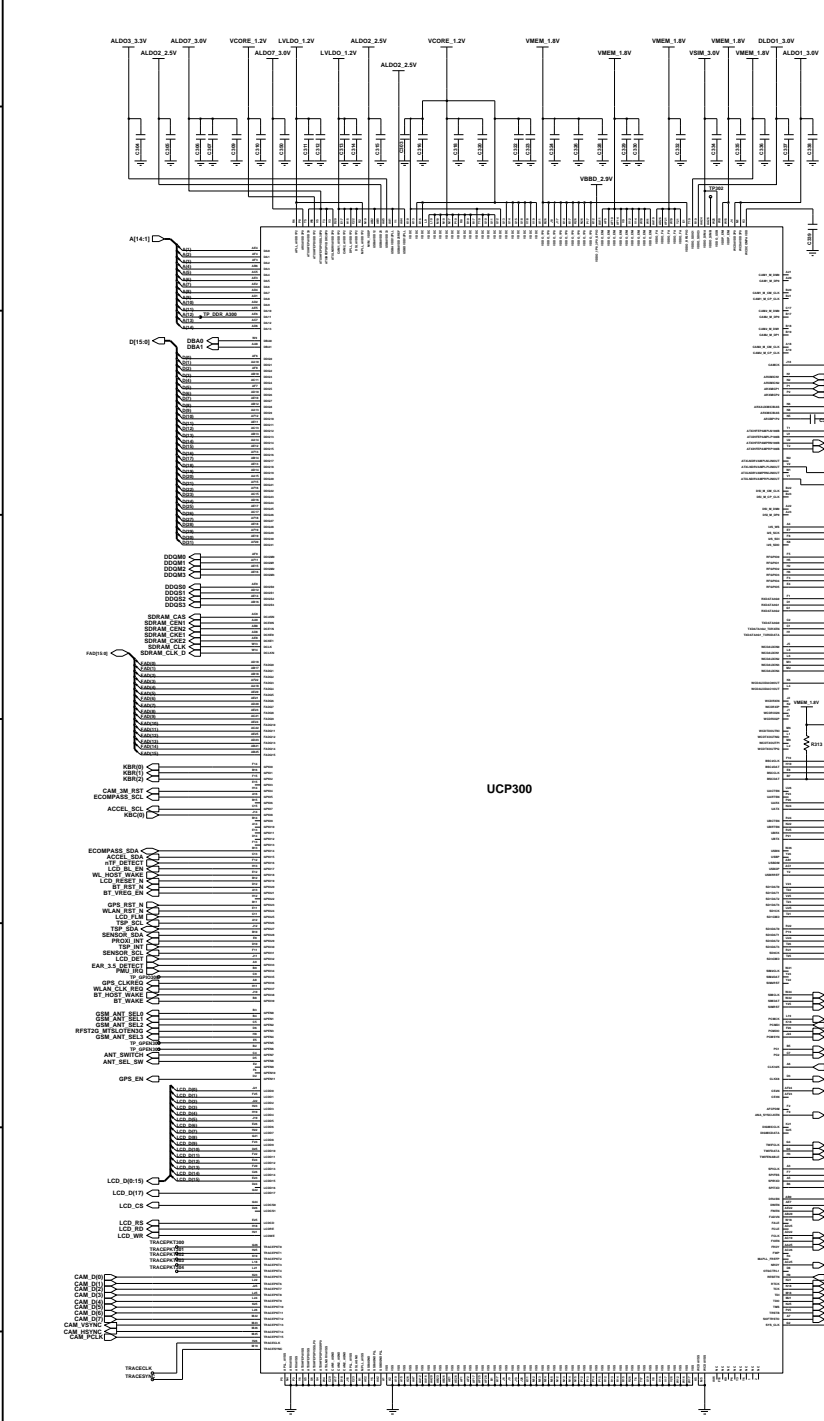
GPS

Engineer RFA	COMPANY NAME	Size A3
Drawn By RFA	Address	
READ CHK	City	
DOC CTRL CHK	TITLE	
MFG ENGR CHK	Wifi BT GPS	
QA CHK	REV	Drawing Number
0.8	0.8	Sheet 2 of 7

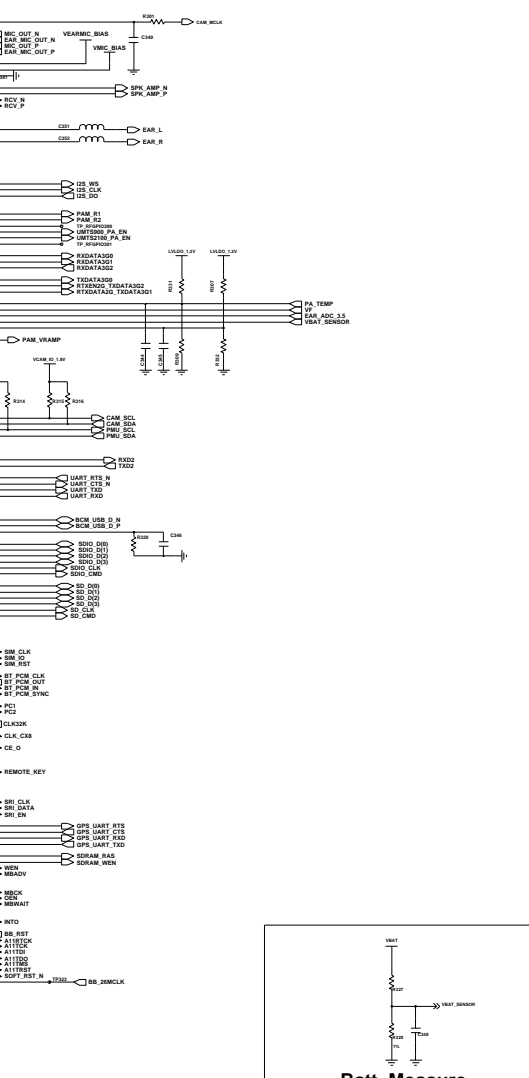
Digital & Supply Power-up Sequence



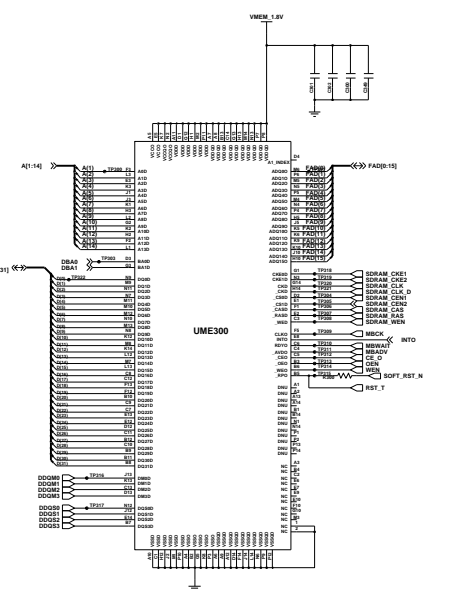
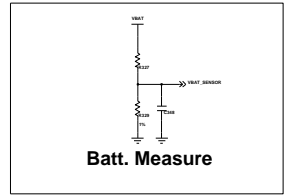
- Group 1: VCORE_1.2V
- Group 2: VMEM_1.8V
- : VREG_USB_3.0V
- : VREG_ANLOG_3.0V
- Group 3: VREG_USB_2.5V
- Group 4: VREG_PLL_1.2V
- Group 5: VREG_USB_3.3V



UCP300



Batt. Measure

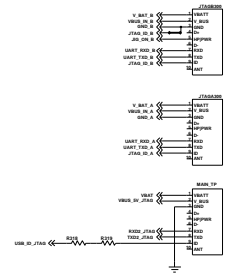


MEMORY(4G + 3G)

JTAG SEL 2 : 0 LCD_D(17), LCD_D(15), LCD_D(14)

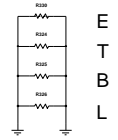
0 0 0	Apps ARM TAP
1 0 0	DSP TAP
0 0 1	Modem ARM TAP
1 0 1	Apps ARM TAP, DSP_JTAG on SDIO 3 IF
0 1 0	Partial chain (Apps ARM-Modem ARM)
1 1 0	Partial chain (Apps ARM-Modem ARM), DSP_JTAG on SDIO 3 IF
0 1 1	Full EJTAG Chain (DSP-Apps ARM-Modem ARM)
1 1 1	Full Chain (LV-Apps ARM-Modem ARM), DSP_JTAG on SDIO 3 IF

LCD_D(0) Pull Up : Force Download Mode, Open : Normal Boot Mode



JTAG

JTAG 34PIN

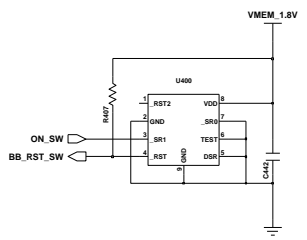
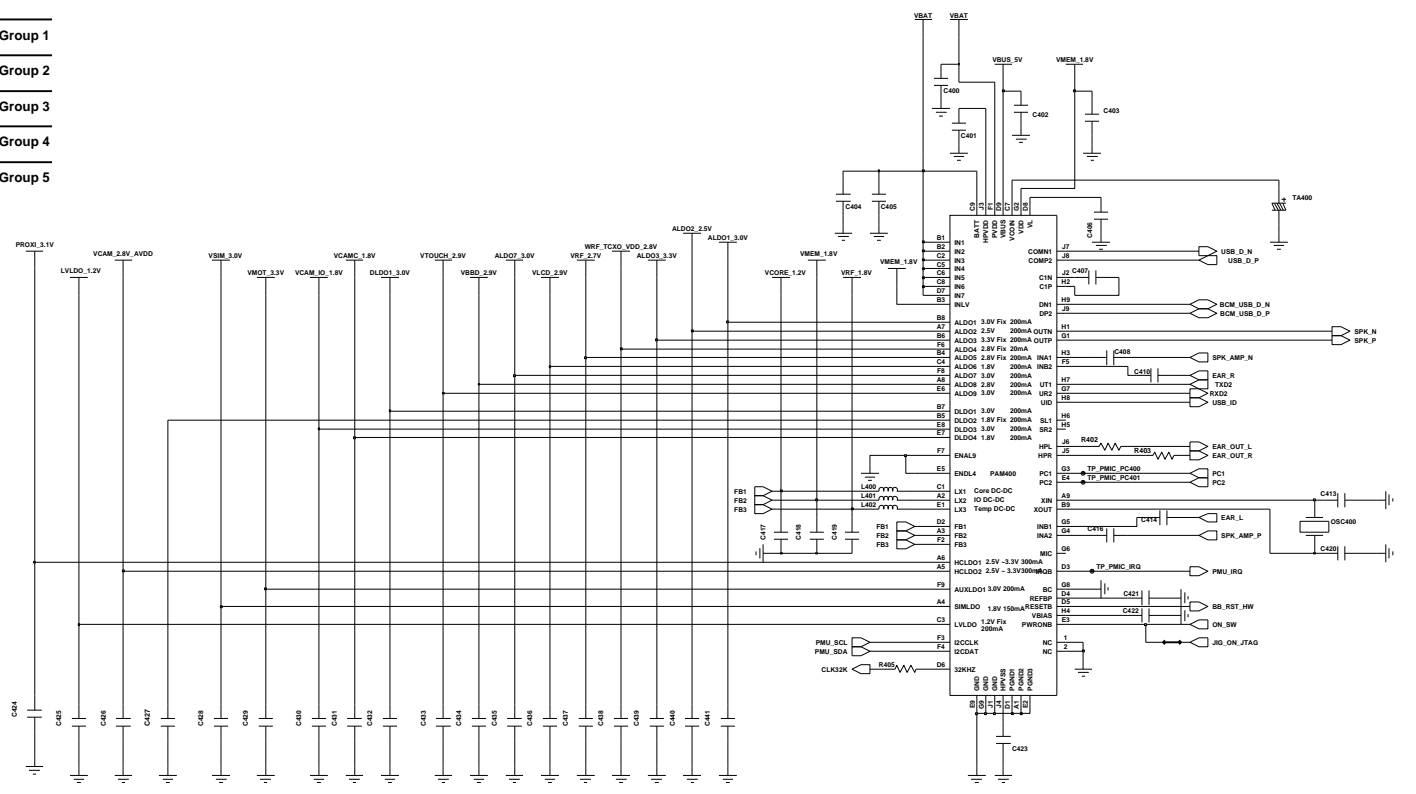
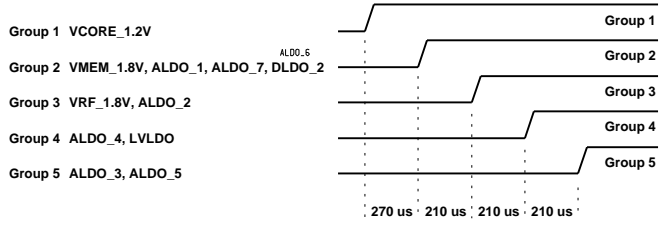


Engineer:	
Drawn by:	
R&D CHK:	TITLE:
DOC CTRL CHK:	
MFG ENGR CHK:	
QA CHK:	REV:
Changed by:	Date Changed:
Time Changed:	Drawing Number:
Sheet 3 OF 7	Size:

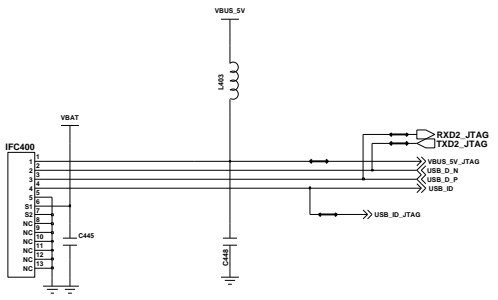
MODEM & MEMORY

BB

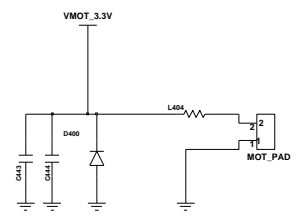
MAX8986 Power Sequence



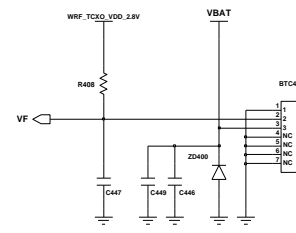
SMART RESET



MICRO USB CON

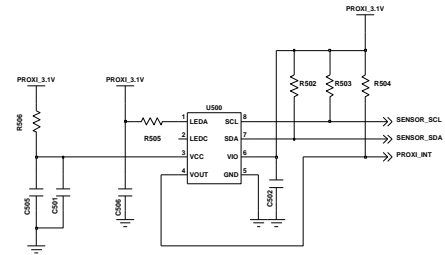


MOT_PAD

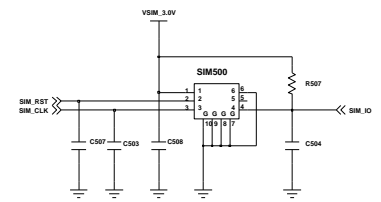


BATT CON

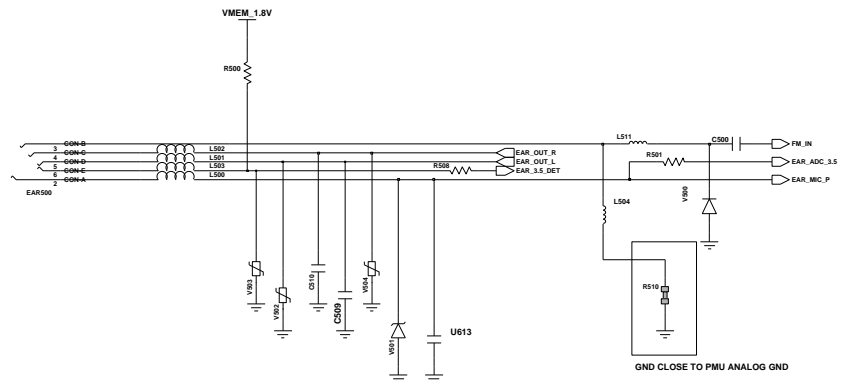
Engineer rta	COMPANY NAME
Drawn By rta	Address
City	City
REV	Size
DOC CHK	TITLE
DOC CTRL CHK	PMIC
MFG ENGR CHK	REV
QA CHK	0.0
Date Changed Tuesday, April 7, 2009	Time Changed 6:12:55 pm
Changid by rta	Drawing Number
Sheet 4	of 7



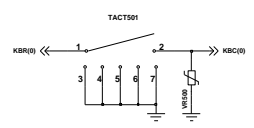
PROXI SENSOR



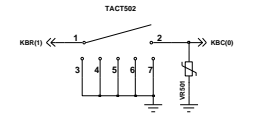
SIM CON



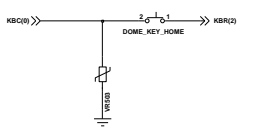
3.5 PHI EARJACT



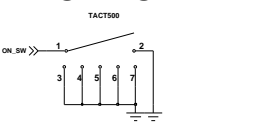
VOL UP



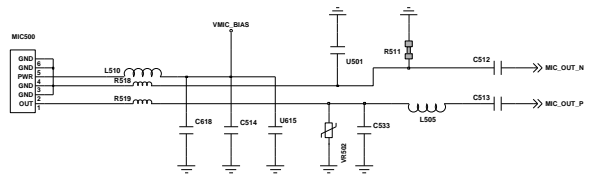
VOL DOWN



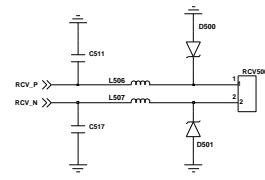
HOME KEY



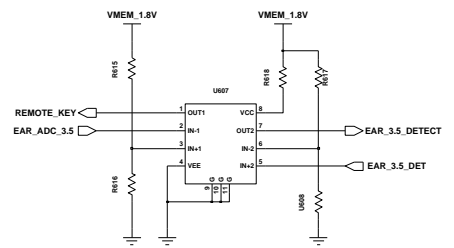
Hold Key



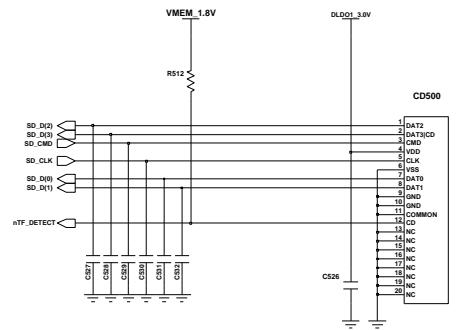
MAIN MIC



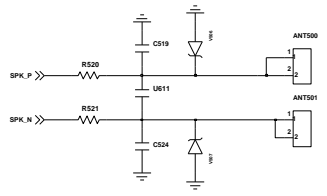
RECEIVER



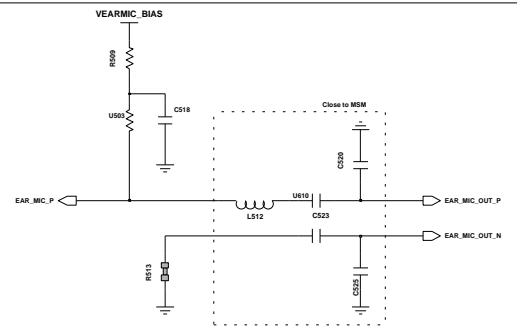
EAR MIC_FILTER



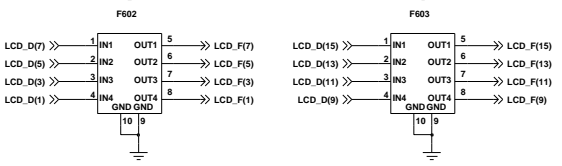
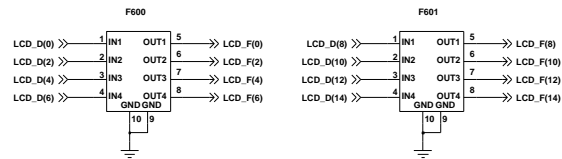
MicroSD Card CON



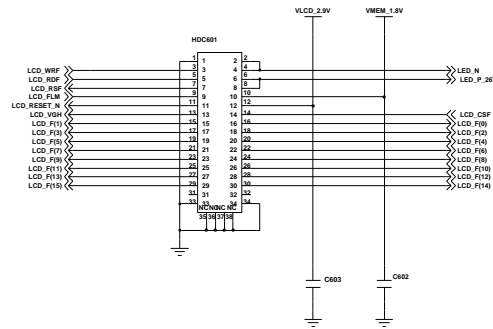
SPEAKER



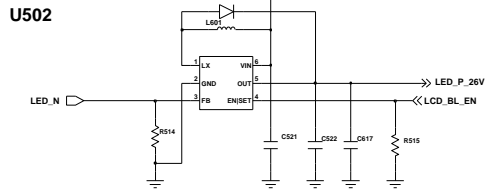
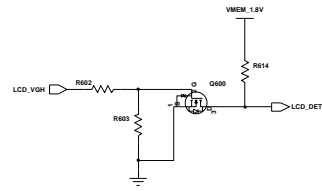
Engineer rtm	COMPANY NAME
Drawn By rtm	Address
READ CHK	City
DOC CTRL CHK	TITLE
MFG ENGR CHK	AUDIO
QA CHK	REV
REV	Drawing Number
Sheet 5	of 7



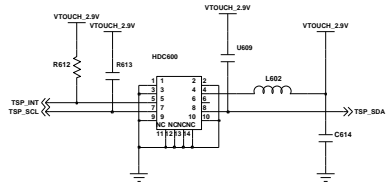
LCD EMI Filters



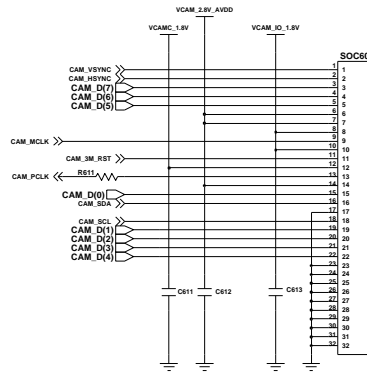
2.98" LCD Connector



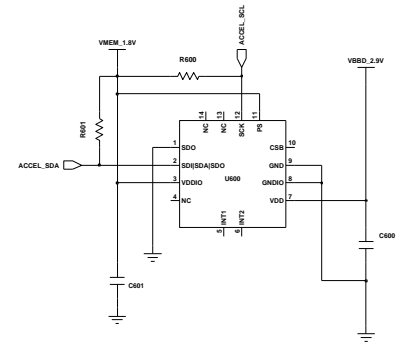
LCD BACKLIGHT IC



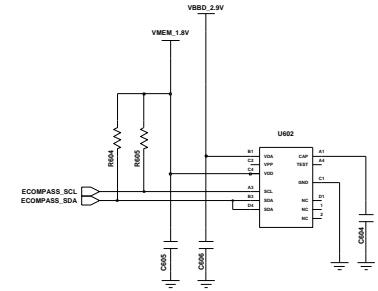
TSP_CONNECTOR



2M CAM SOCKET



Accelero SENSOR



E-COMPASS

Engineer rta	COMPANY NAME	Size A2
Drawn By rta	Address City	
READ CHK	TITLE	
DOC CTRL CHK	LCD & CAM	
MFG ENGR CHK		