

SM-A520F_DS_REV0.4A

2016.11.09

sheet01 : GSM / WCDMA / LTE RF

sheet02 : TRANCEIVER, DRX

sheet03 : JOON(EXYNOS7880), eMMC

sheet04 : SENSORS, GPS, BT/WIFI, NFC, BTP, FM RADIO

sheet05 : PMIC(Main,IF), MST, KEY, MOTOR

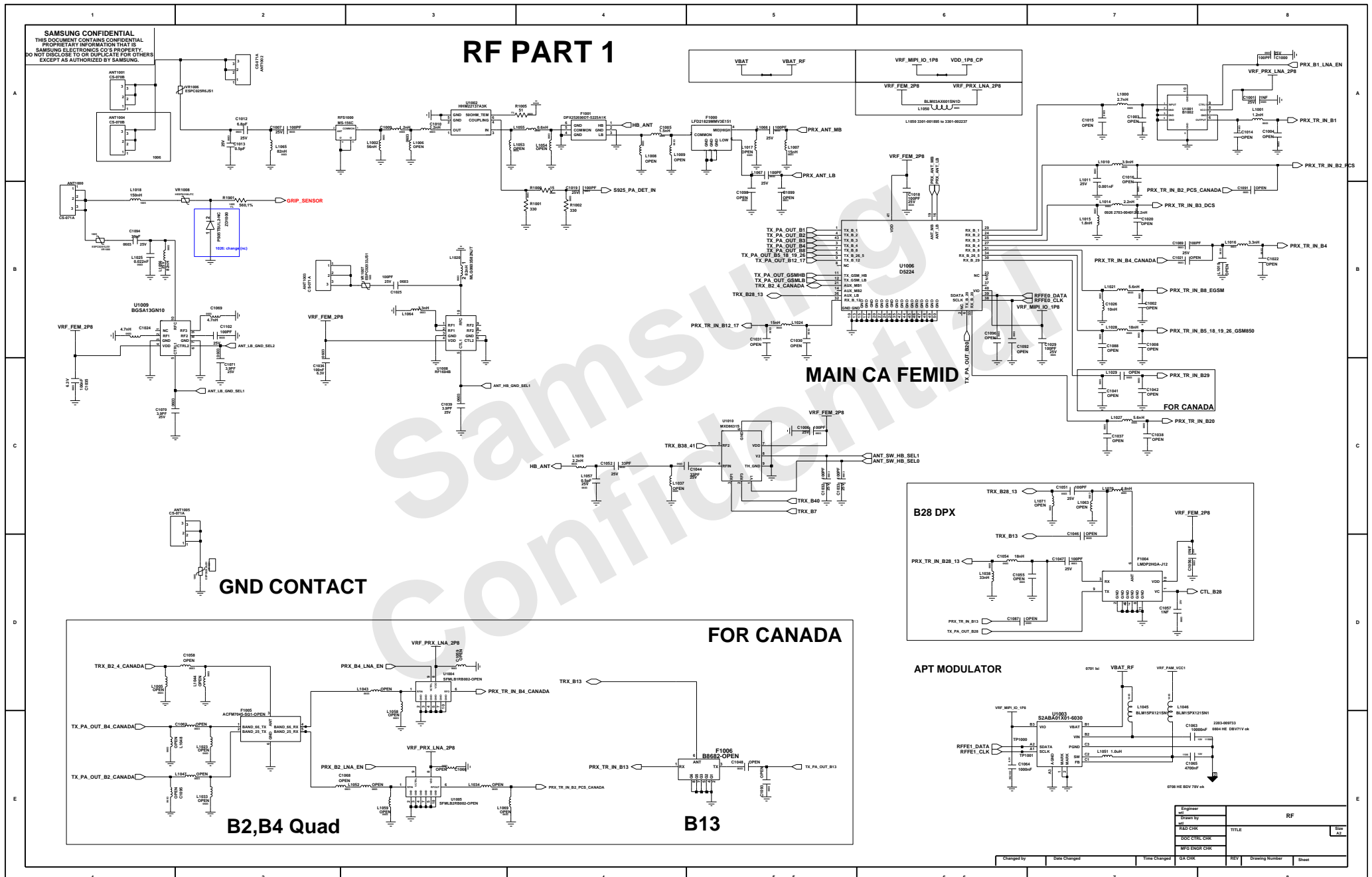
sheet06 : Audio, SD/SIM, IF Conn'

sheet07 : CAMERA, DISPLAY, SHEILD CAN, TDMB

| | |
|-----------|--|
| Page No. | |
| Sheet No. | |
| Doc Title | |
| Doc No. | |
| Rev. | |

SAMSUNG CONFIDENTIAL
THIS DOCUMENT CONTAINS CONFIDENTIAL
PROPRIETARY INFORMATION THAT IS
SAMSUNG ELECTRONICS CO.'S PROPERTY.
DO NOT DISCLOSE TO OR DUPLICATE FOR OTHERS
EXCEPT AS AUTHORIZED BY SAMSUNG.

RF PART 1



MAIN CA FEMID

GND CONTACT

FOR CANADA

B28 DPX

APT MODULATOR

B2,B4 Quad

B13

| | | |
|-----------|--|-------|
| Engineer | | RF |
| Drawn by | | |
| RDW CHK | | TITLE |
| DOC CTRLR | | |
| MFG ENGR | | |

| Changed by | Date Changed | Time Changed | QA CKR | REV | Drawing Number | Sheet |
|------------|--------------|--------------|--------|-----|----------------|-------|
|------------|--------------|--------------|--------|-----|----------------|-------|

SAMSUNG CONFIDENTIAL
THIS DOCUMENT CONTAINS CONFIDENTIAL
PROPRIETARY INFORMATION THAT IS
SAMSUNG ELECTRONICS CO. PROPERTY.
DO NOT DISCLOSE TO ANY OTHERS
EXCEPT AS AUTHORIZED BY SAMSUNG.

RF PART 2

HIGH BAND PA

FDD LTE: B7
TDD LTE: B38 / 40 / 41

MMMB PA

2G: EGSM / DCS / PCS / GSM850
3G: B1 / 2 / 4 / 5 / 8
FDD LTE: B1 / 2 / 3 / 4 / 5 / 8 / 17 / 20 / 28

SUB ANT2 (LB)

SUB ANT1 (MB/HB)

SUB ANT2 XGND

SUB ANT2 XGND

B38/41

B2

B40

B28

B29

TRANSCEIVER

26MHz TCXO

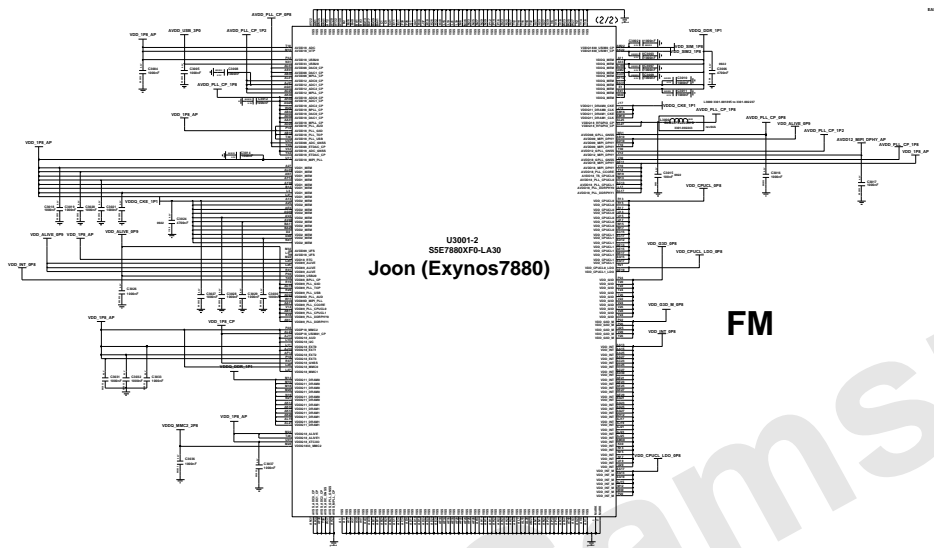
FOR CANADA

| | |
|--------------|----------------|
| Engineer | |
| Drawn by | RF |
| RAD CHK | TITLE |
| DOC CTRL CHK | |
| MFG ENGR CHK | |
| Changed by | Date Changed |
| QA CRK | Time Changed |
| REV | Drawing Number |
| Sheet | of 01 |

EXYNOS7880(JOON)

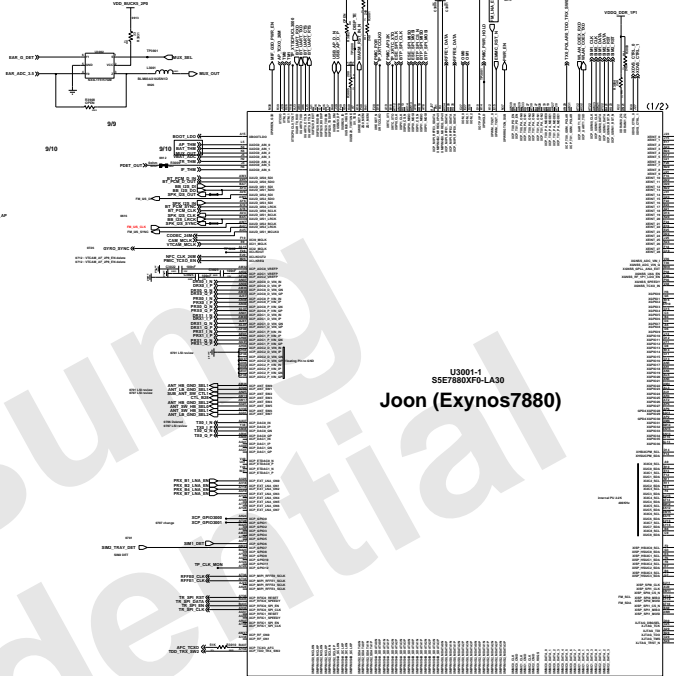
POP LP4 3G : 1st Micron
2nd SEC

Salt Water detect MUX



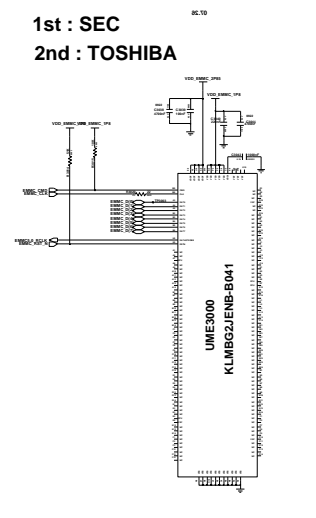
U3001-2
SSE7880XF0-LA30
Joon (Exynos7880)

FM

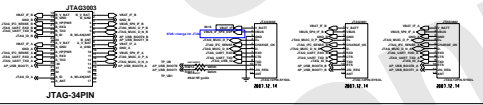


U3001-1
SSE7880XF0-LA30
Joon (Exynos7880)

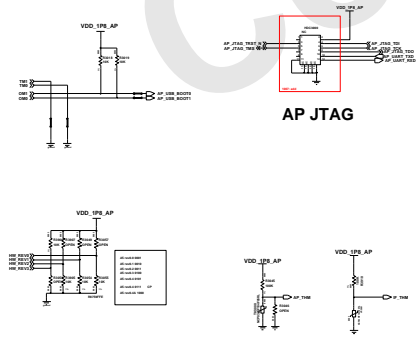
eMMC 32GB 5.1
1st : SEC
2nd : TOSHIBA



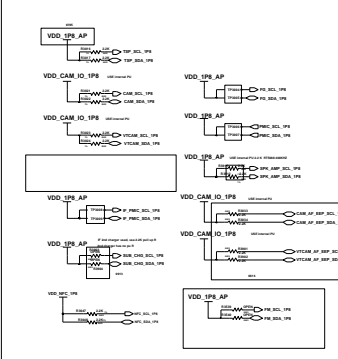
PCB JTAG



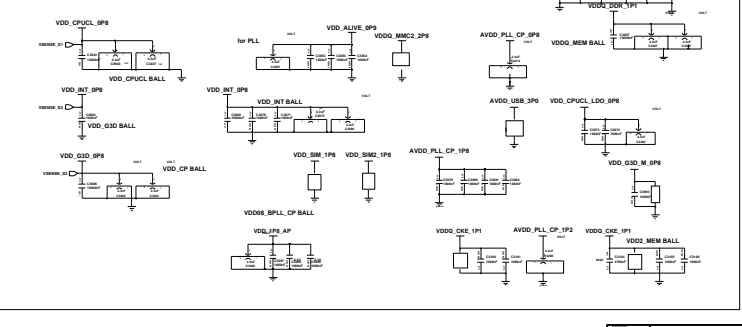
AP JTAG



I2C Pull-up Register

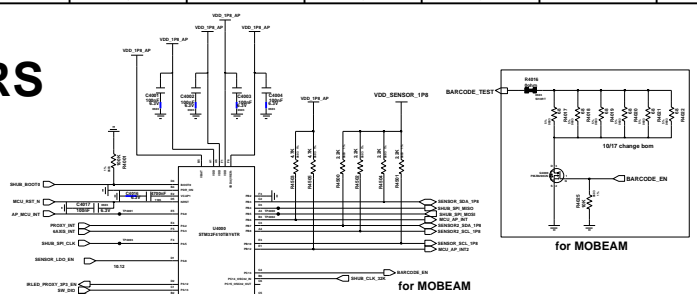
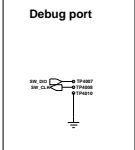


AP Decap



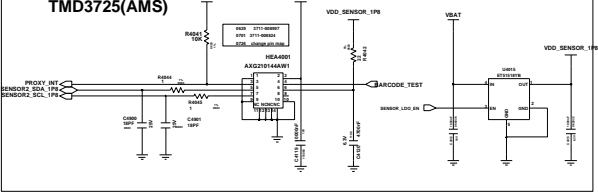
SAMSUNG CONFIDENTIAL
THIS DOCUMENT CONTAINS SAMSUNG'S PROPRIETARY AND CONFIDENTIAL INFORMATION. IT IS TO BE USED ONLY FOR THE PURPOSES SPECIFIED HEREIN. IT IS NOT TO BE REPRODUCED, COPIED, OR DISCLOSED TO ANY OTHER PERSON OR ENTITY WITHOUT THE WRITTEN PERMISSION OF SAMSUNG. ANY UNAUTHORIZED USE, REPRODUCTION, OR DISCLOSURE OF THIS DOCUMENT IS STRICTLY PROHIBITED AND WILL BE PROSECUTED TO THE FULL EXTENT OF THE LAW.

SENSORS

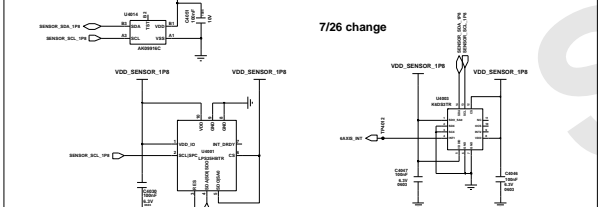


SENSOR HUB (2017 A)

PROXY+RGB FPCB TMD3725(AMS)



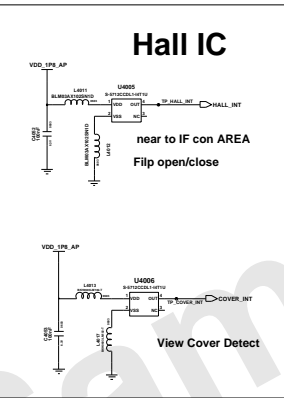
Magnetic Sensor



Pressure Sensor

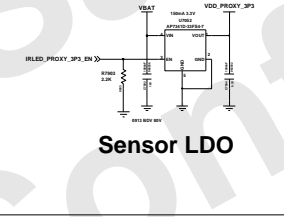


Hall IC

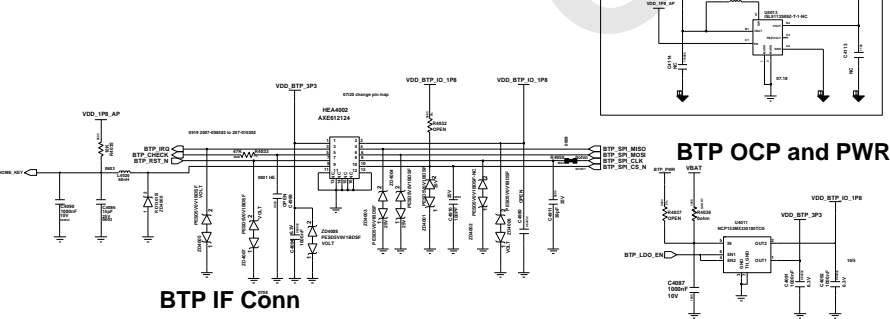


6/27

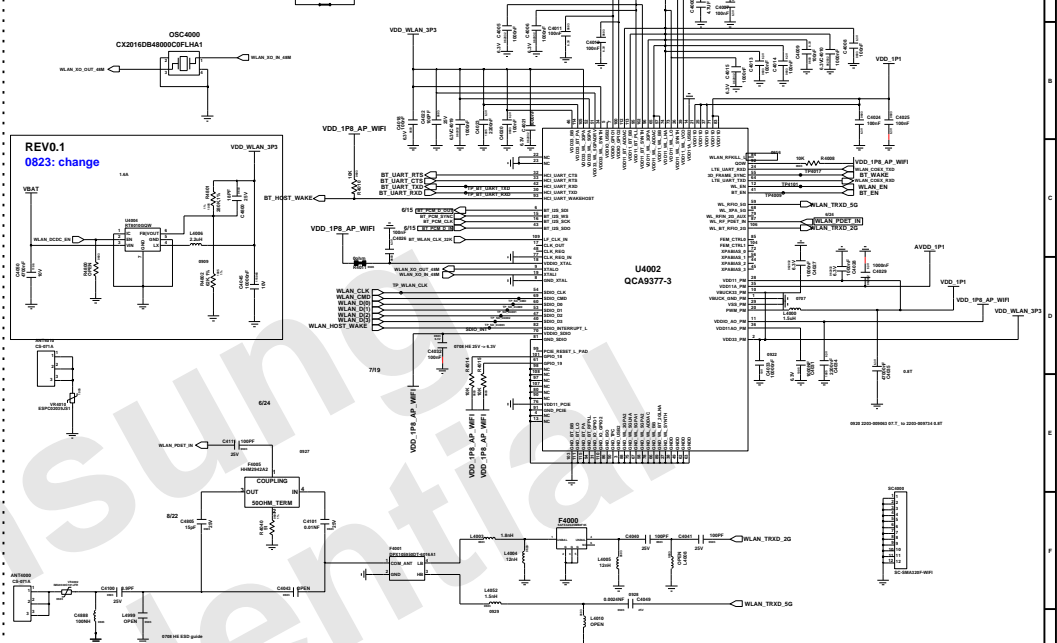
Sensor LDO



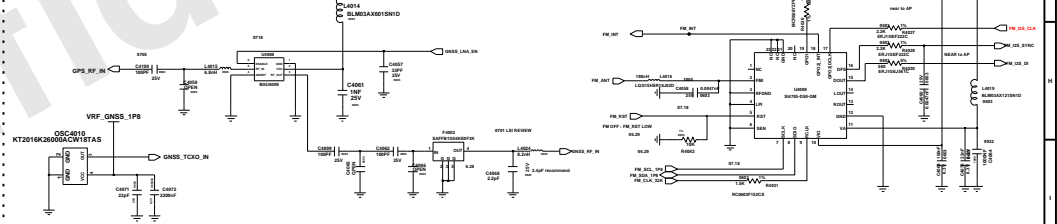
BTP + HOME KEY



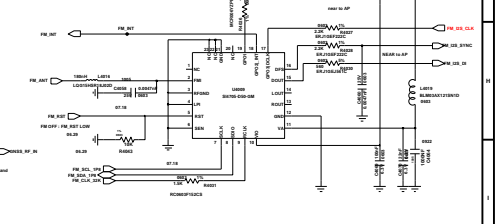
BT/WIFI



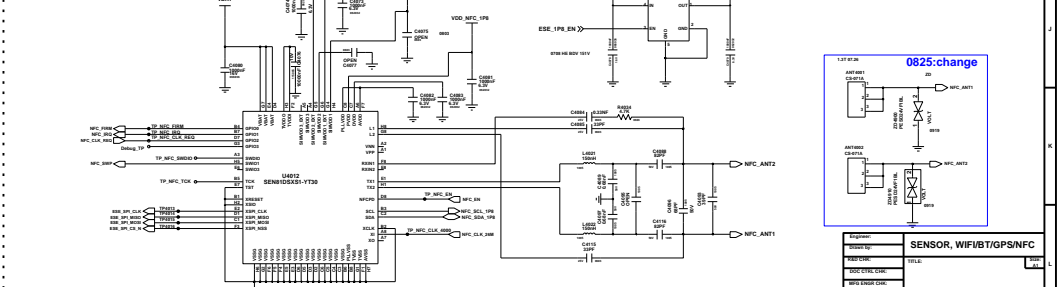
GPS



FM

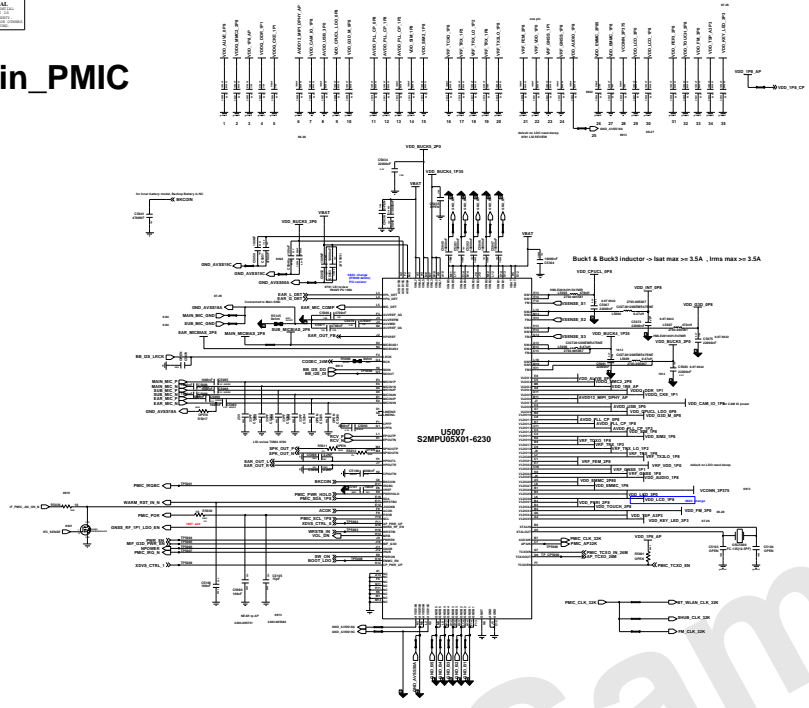


NFC

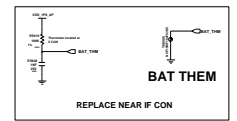
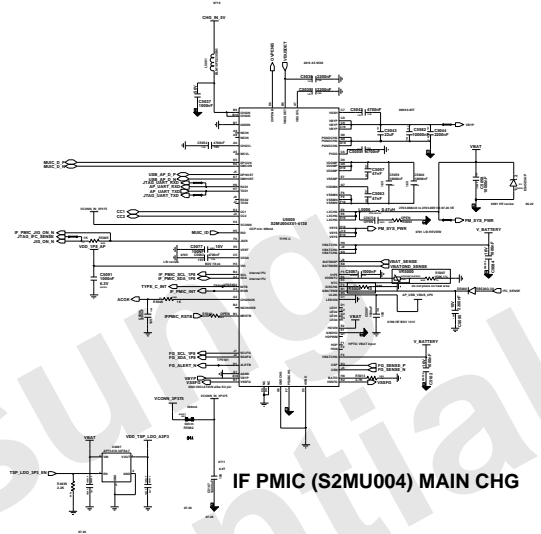


| Item | Value |
|--------------|-------------------------|
| Project Name | SENSOR, WIFI/BT/GPS/NFC |
| Version | 1.0 |
| Doc No. | SEN-001 |
| Doc Title | SENSOR, WIFI/BT/GPS/NFC |
| Doc Date | 2017.07.26 |
| Doc Ver | 1.0 |
| Doc Rev | 0 |
| Doc Status | Approved |
| Doc Category | Block Diagram |
| Doc Author | ... |
| Doc Checker | ... |
| Doc Approver | ... |
| Doc Date | 2017.07.26 |
| Doc Ver | 1.0 |
| Doc Rev | 0 |
| Doc Status | Approved |
| Doc Category | Block Diagram |
| Doc Author | ... |
| Doc Checker | ... |
| Doc Approver | ... |

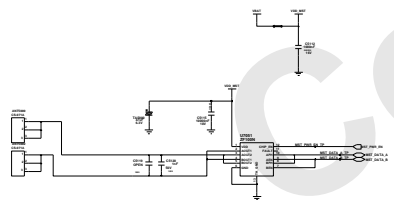
Main_PMIC



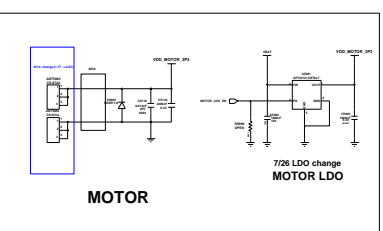
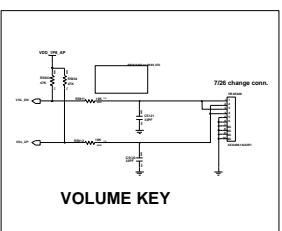
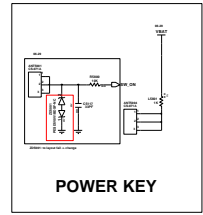
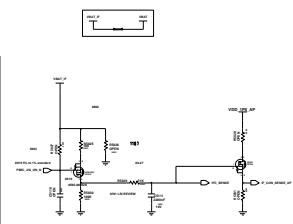
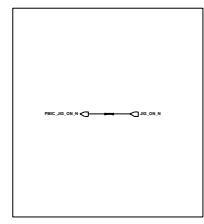
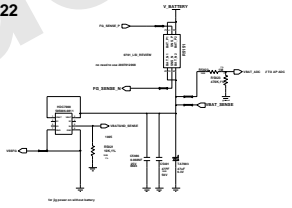
IF_PMIC



MST



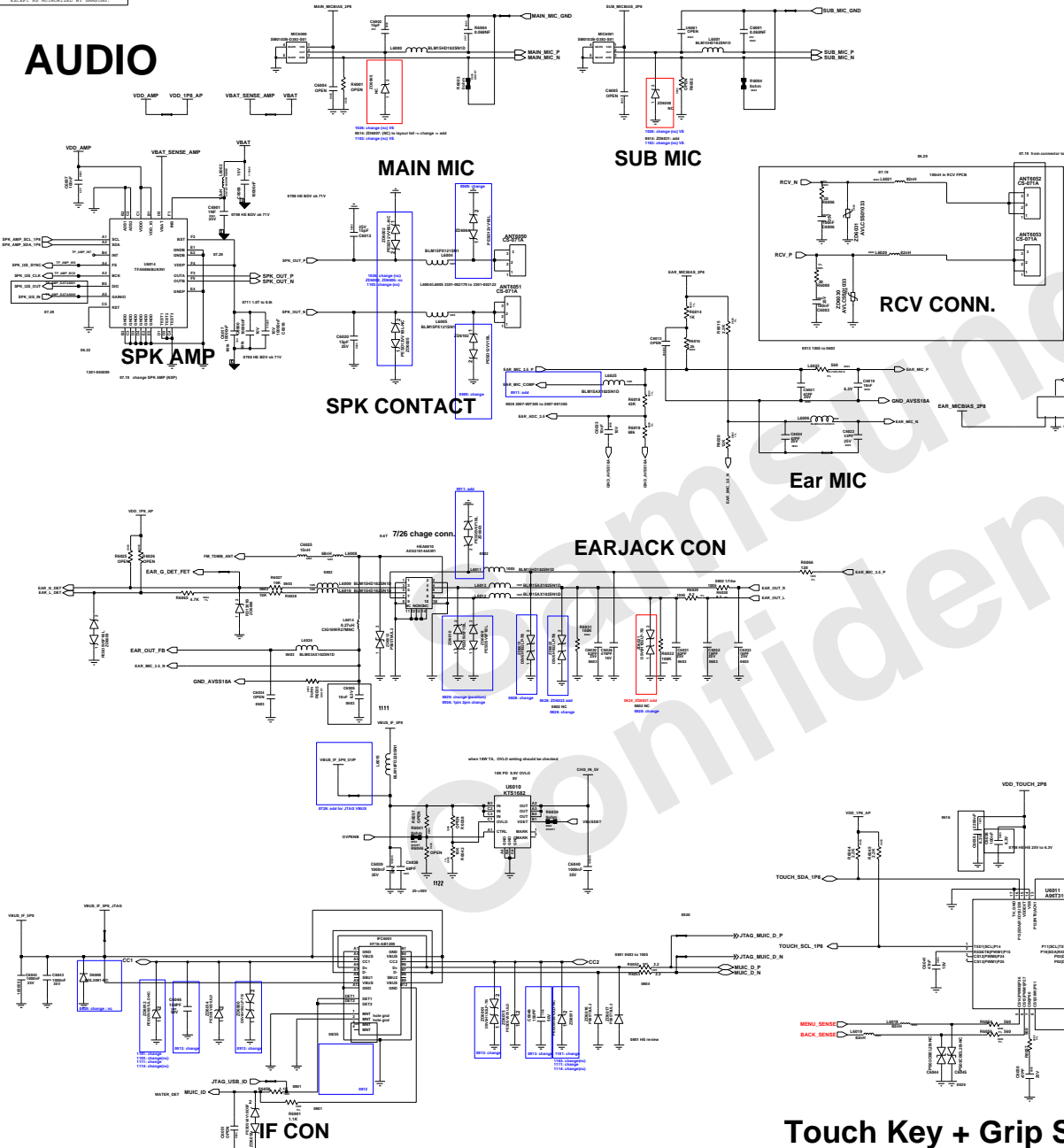
09.22



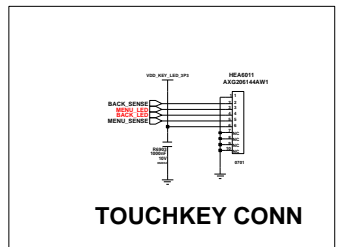
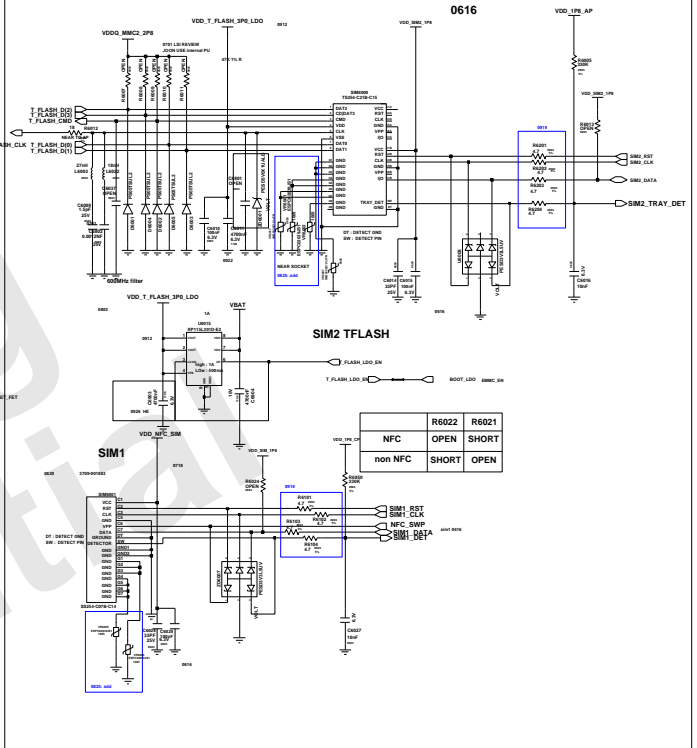
| | |
|-------------|----------------------|
| REV | 1 |
| DATE | 2016.11.24 |
| DESCRIPTION | APR5838 PMIC, W, LDO |
| DESIGNER | WJ |
| CHECKER | WJ |
| APPROVER | WJ |

SAMSUNG CONFIDENTIAL
 THIS DOCUMENT CONTAINS SAMSUNG CONFIDENTIAL INFORMATION. INFORMATION THAT IS UNLAWFULLY OBTAINED OR DISCLOSED TO A THIRD PARTY WITHOUT THE WRITTEN AUTHORIZATION OF SAMSUNG IS PROHIBITED.

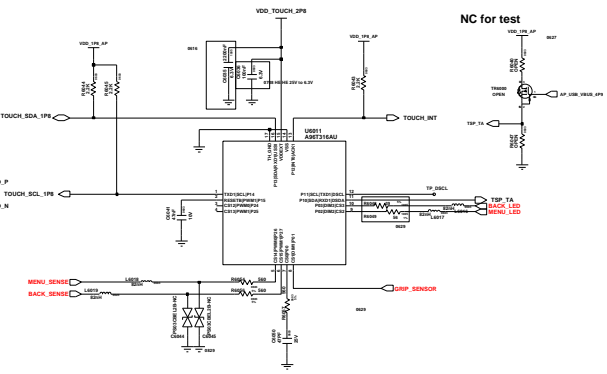
AUDIO



SIM & SD



Touch Key + Grip Sensor

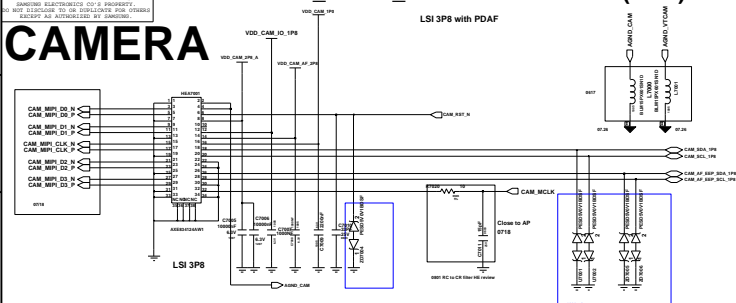


| Component | Value | Notes |
|-------------|-------|-------|
| BACK SENSE | NC | |
| MENU SENSE | NC | |
| MENU LED | NC | |
| GRIP SENSOR | NC | |

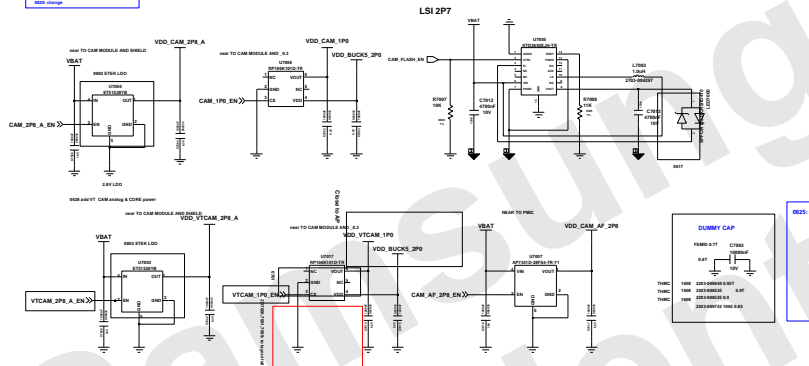
SAMSUNG CONFIDENTIAL
THIS DOCUMENT CONTAINS CONFIDENTIAL INFORMATION. ANY DISCLOSURE OF THIS INFORMATION TO UNAUTHORIZED PERSONS OR ENTITIES WITHOUT THE WRITTEN PERMISSION OF SAMSUNG ELECTRONICS CO., LTD. IS STRICTLY PROHIBITED. THIS DOCUMENT IS UNCLASSIFIED BY JANSUNG.

CAMERA

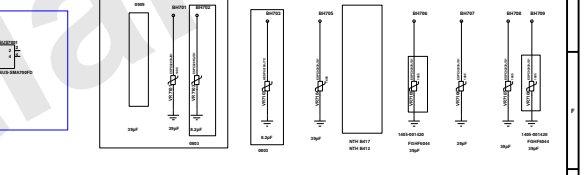
16M_REAR_Camera Connector (MIPI)



Front_CAMERA (16M FF)

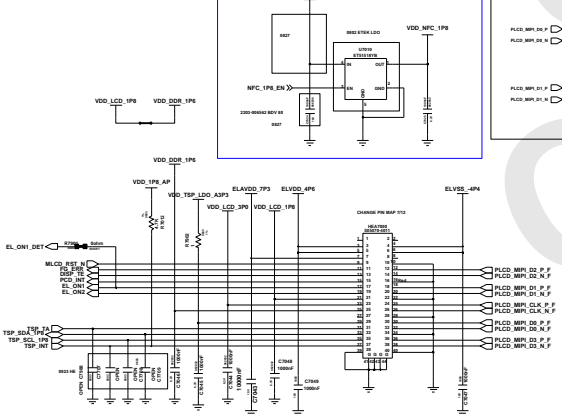


SHIELD CAN/BOTH HOLE

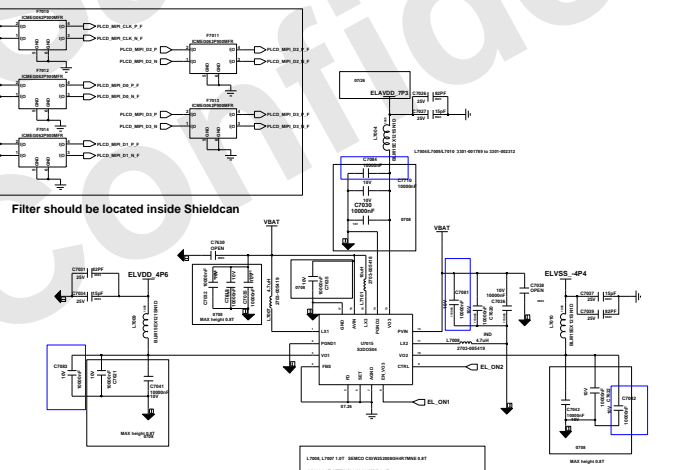


| | | |
|----------------------------------|------------|------|
| E G M L A | CIS | E |
| | SEA | E |
| | MEA | E |
| | EUR OPEN | G |
| | NEWZEALAND | EG |
| | 3G | EGML |
| | Taiwan | GM |
| | LA, LAX | EL |
| | LA, UB | ML |
| | KT | LA |
| SKT | A | |
| LGT | L | |

DISPLAY

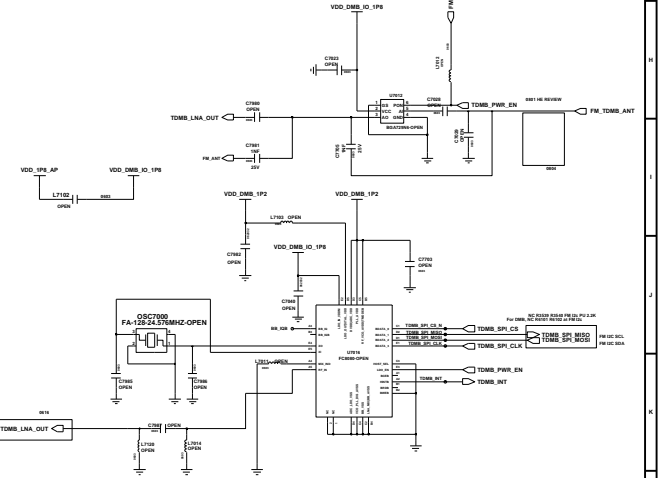


OCTA CONNECTOR



HD OCTA DC-DC

TDMB_for KOR



| | |
|--------------------|----------------------|
| Designed by: | CAMERA, DISPLAY, MHL |
| Checked by: | |
| ECN No.: | |
| Doc. Title: | |
| Doc. No.: | |
| Doc. Date: | |
| Doc. Rev.: | |
| Doc. Ver.: | |
| Doc. Ver. No.: | |
| Doc. Ver. Date: | |
| Doc. Ver. Time: | |
| Doc. Ver. User: | |
| Doc. Ver. Email: | |
| Doc. Ver. Phone: | |
| Doc. Ver. Fax: | |
| Doc. Ver. Address: | |
| Doc. Ver. City: | |
| Doc. Ver. Country: | |
| Doc. Ver. State: | |
| Doc. Ver. Zip: | |
| Doc. Ver. Other: | |