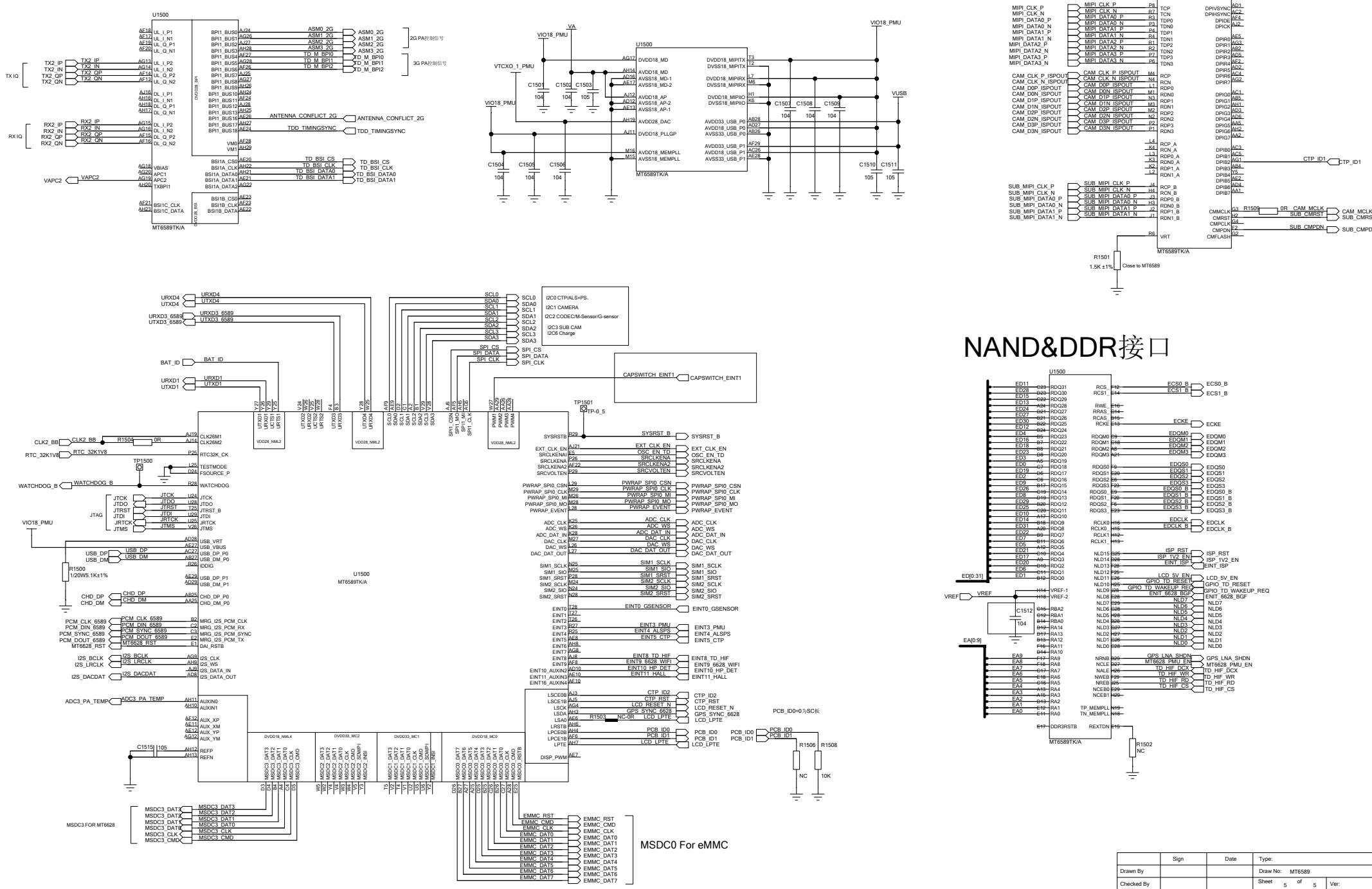


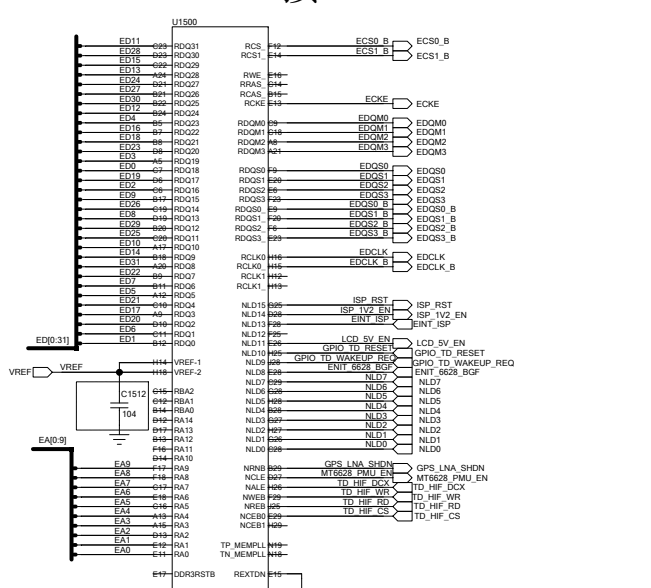
	签名	日期	机型:		
设计			板号:		
审核			第2张	共3张	版次: 0.0
标准化					
批准					

2G/3GPA

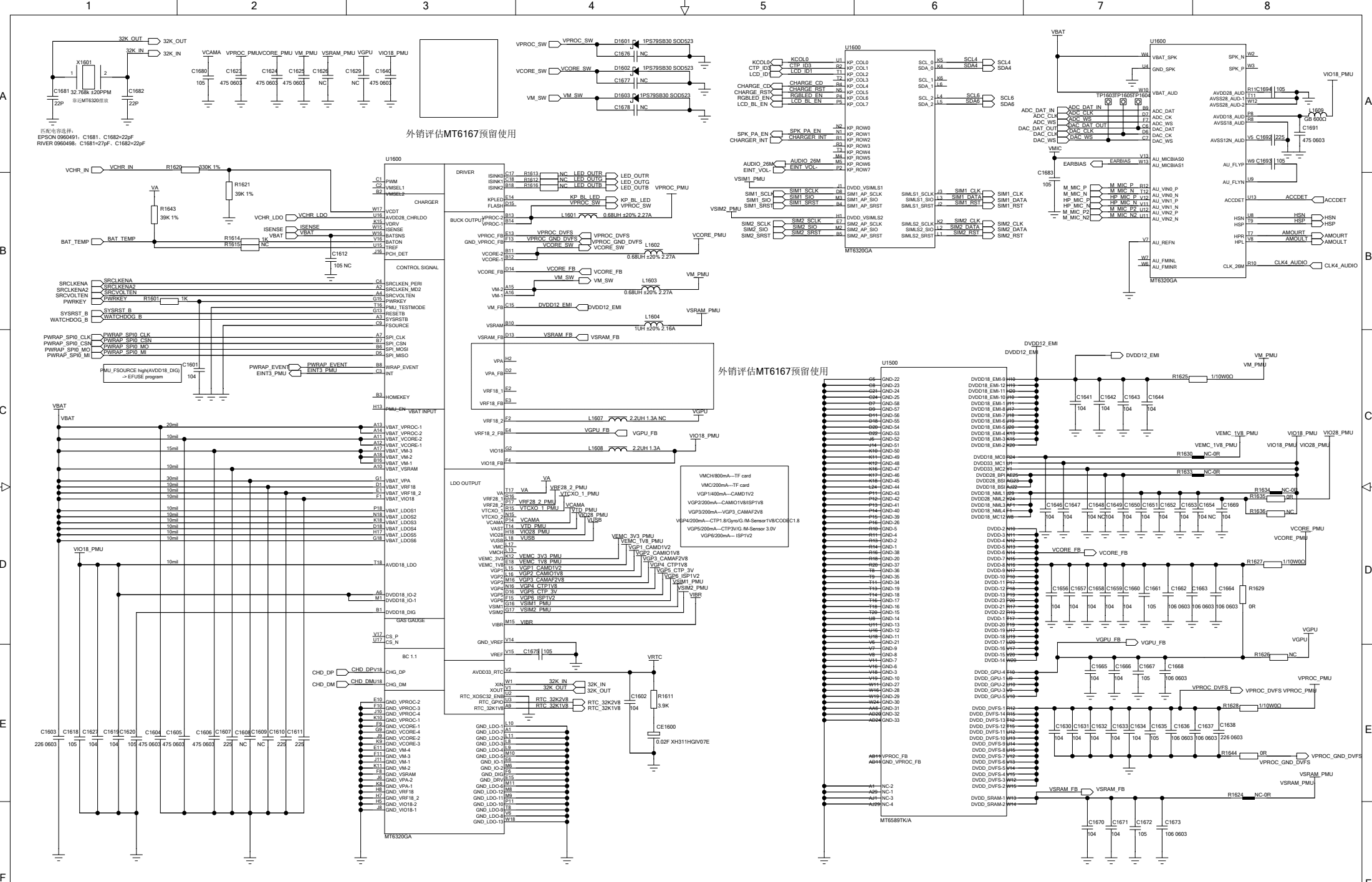
A
B
C
D
E
F



NAND&DDR 接口



Drawn By	Sign	Date	Type
Checked By			Draw No: MT6589
Standard By			Sheet 5 of 5 Ver:
Approved By			



外销评估MT6167预留使用

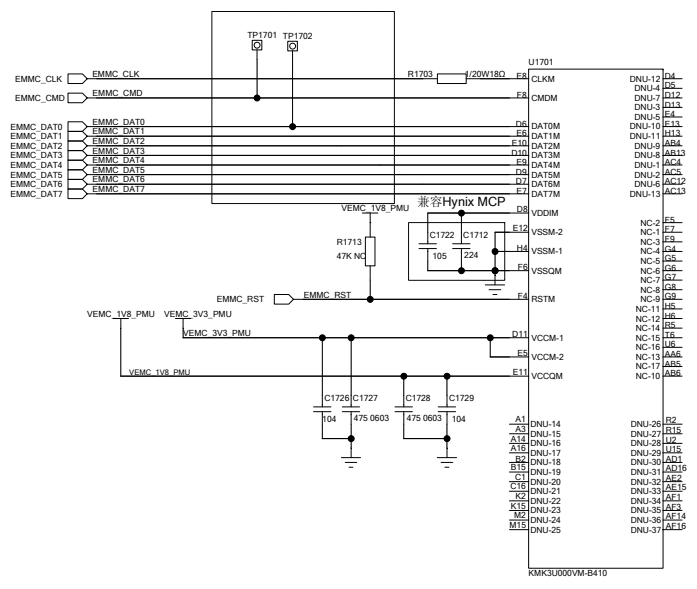
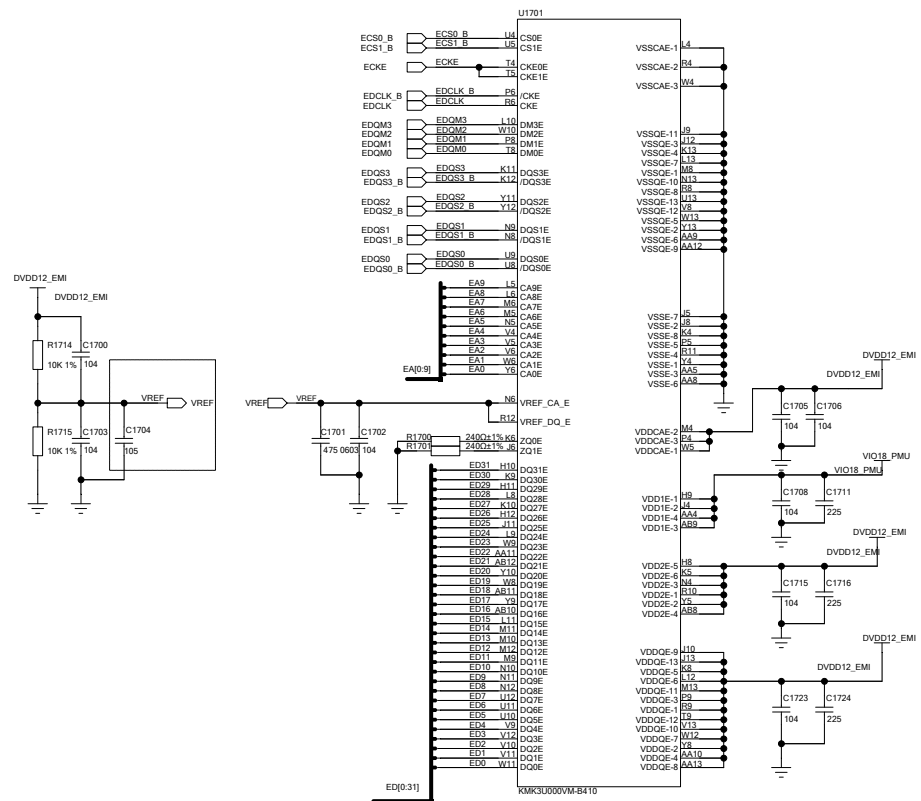
外销评估MT6167预留使用

Drawn By	Sign	Date	Type
			Draw No: MT6589
Checked By			Sheet 4 of 4 Ver:
Standard By			
Approved By			



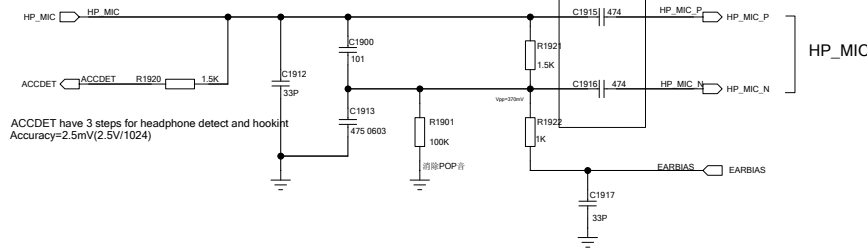
DDR2

EMMC

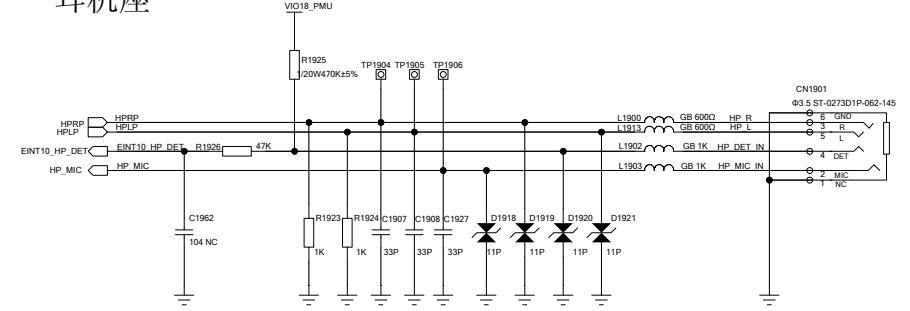


Sign	Date	Type:
Drawn By		Draw No: MT6589
Checked By		Sheet 7 of 7 Ver:
Standard By		
Approved By		

HP MIC

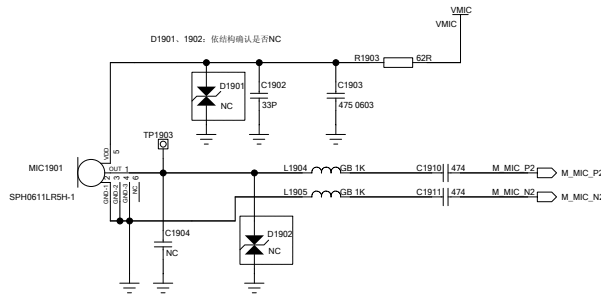


耳机座

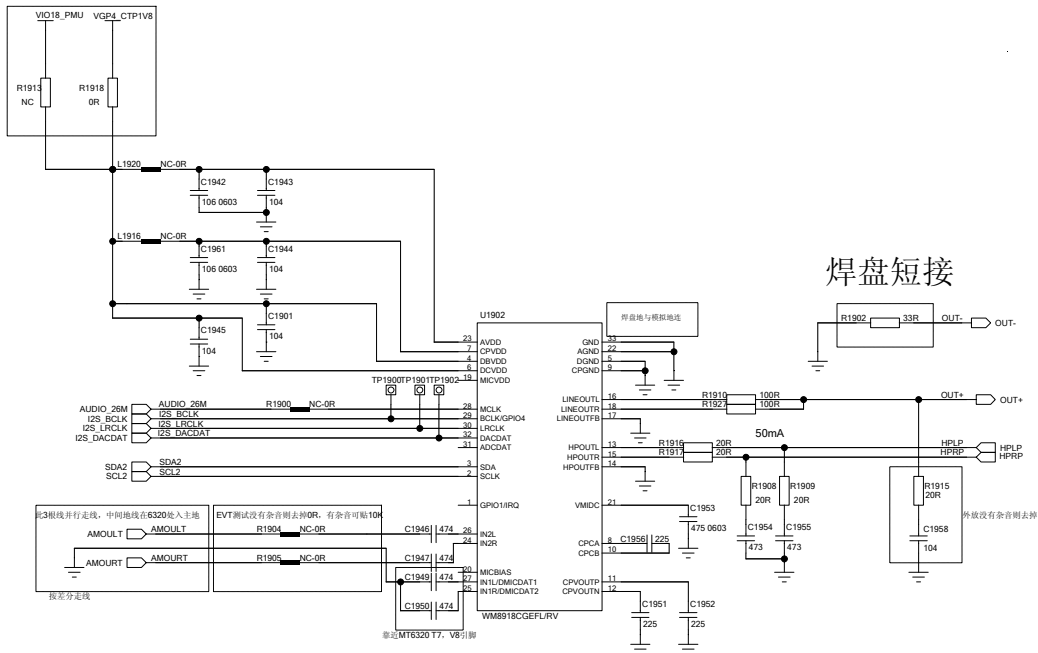


差分点：增加两个下拉电阻，解决未完全插入耳机时的pop音

副MIC

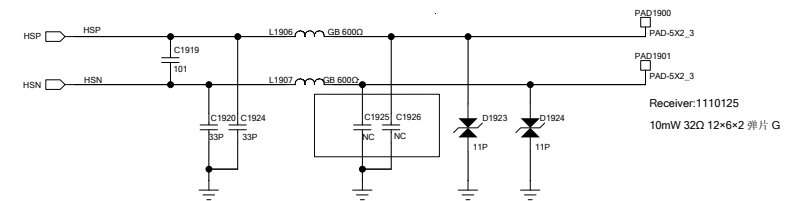


Codec

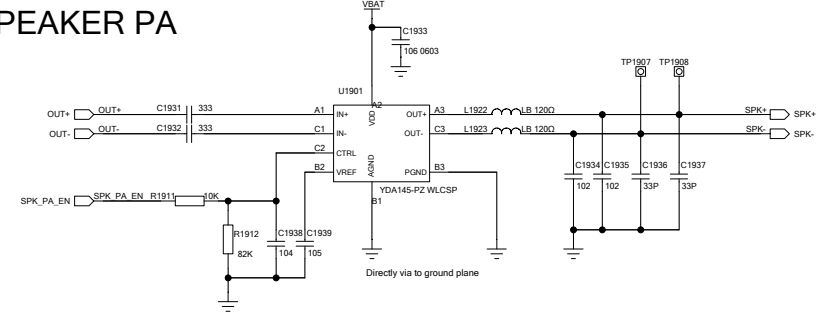


CODEC实际使用9165983 0625

Receiver



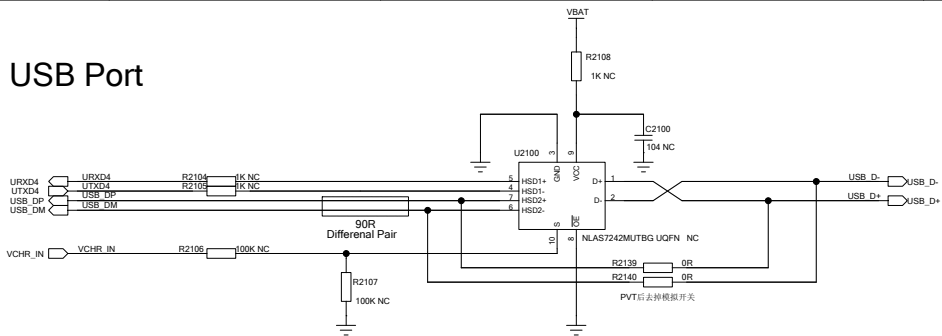
SPEAKER PA



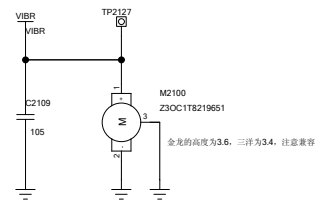
Sign	Date	Type
Drawn By		Draw No: MT6589
Checked By		Sheet 8 of 8 Ver:
Standard By		
Approved By		



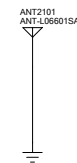
USB Port



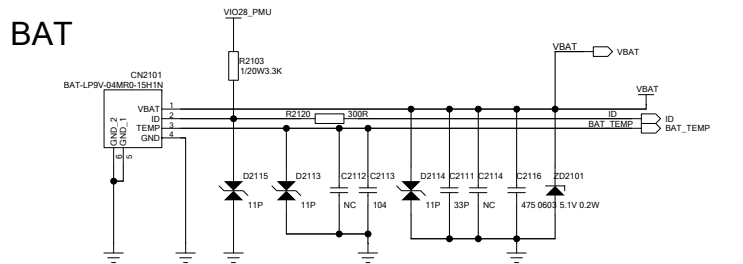
马达



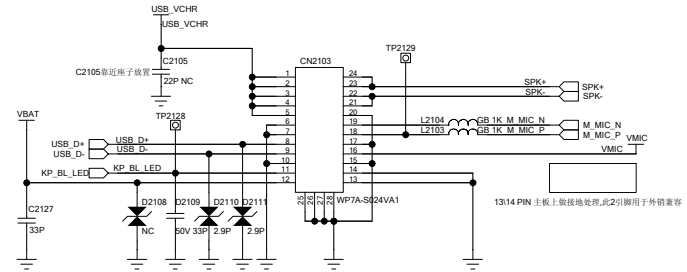
接地弹片



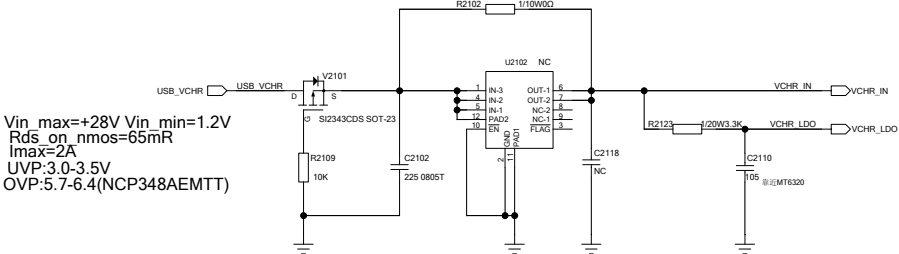
BAT



主FPC连接器

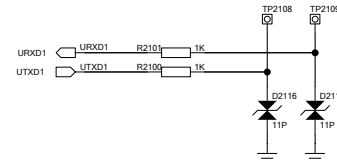


OVP

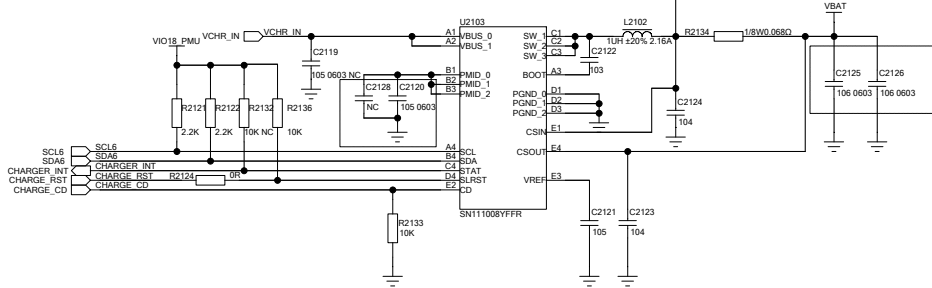


Hall开关 调整到光感小板

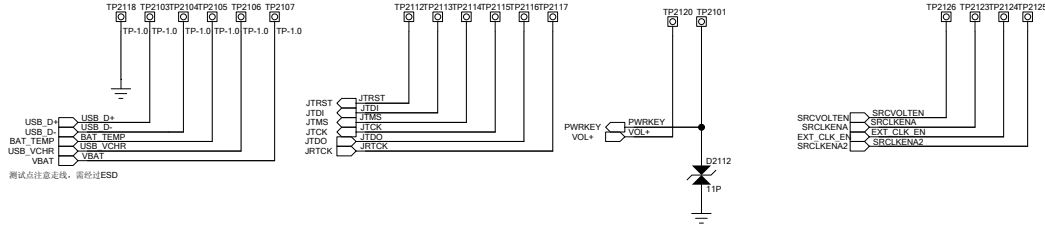
UART1



CHARGE



TEST POINT

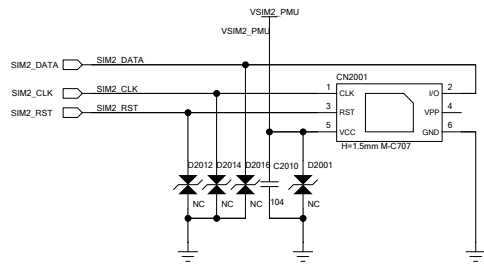


- MARK2101
- MARK2102
- MARK2103
- MARK2104

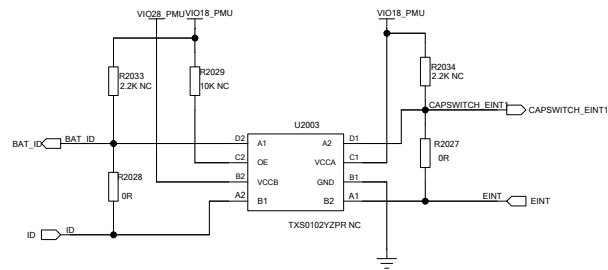
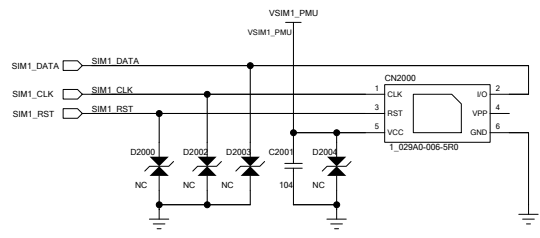
Sign	Date	Type
Drawn By		Draw No: 213003-SA
Checked By		Sheet of 15 Ver:
Standard By		
Approved By		



SIM Card2

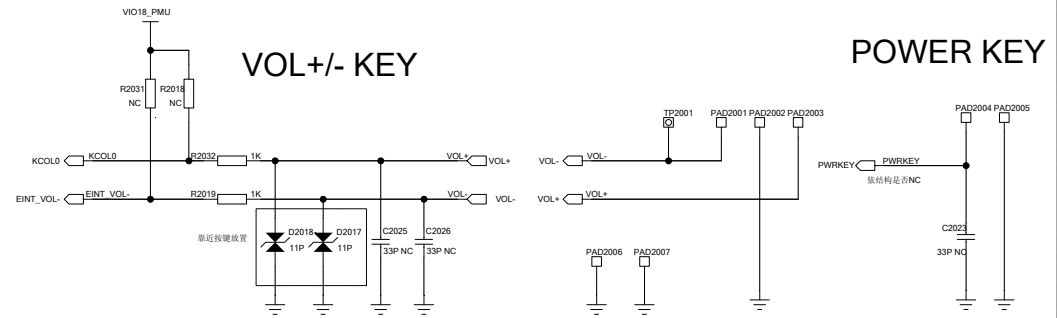


SIM Card1

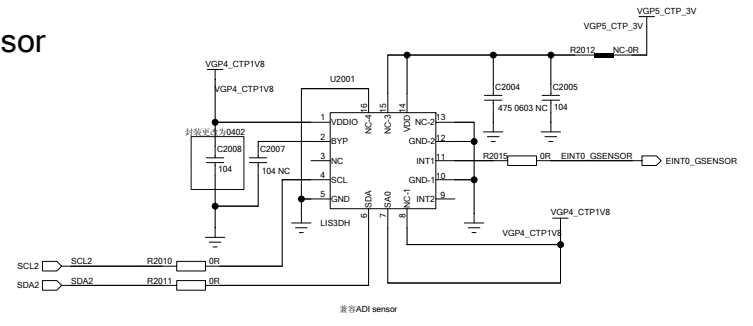


VOL+/- KEY

POWER KEY



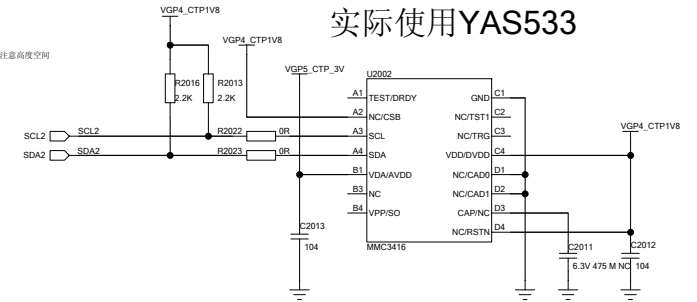
G Sensor



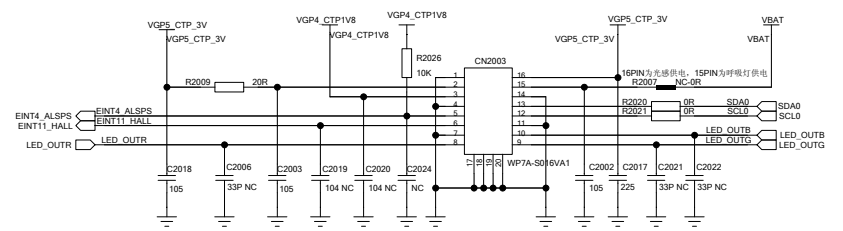
M Sensor

实际使用YAS533

兼容AK8975C#MMC3280,MMC3280高度为1.29, 注意高度空间

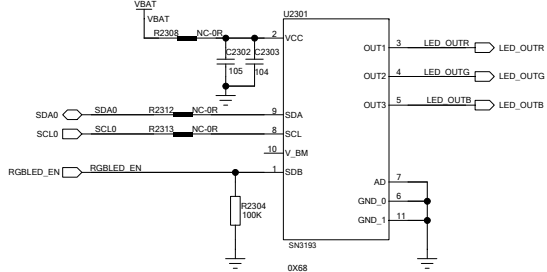


ALS+PS sensor module & indicator LED

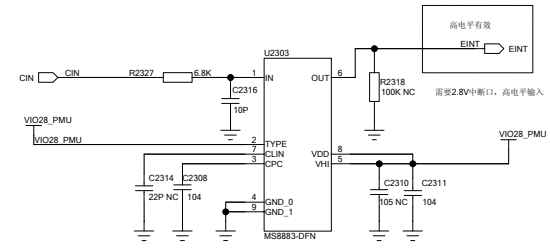


	Sign	Date	Type:
Drawn By			Draw No: MT6589
Checked By			Sheet 10 of 10 Ver:
Standard By			
Approved By			

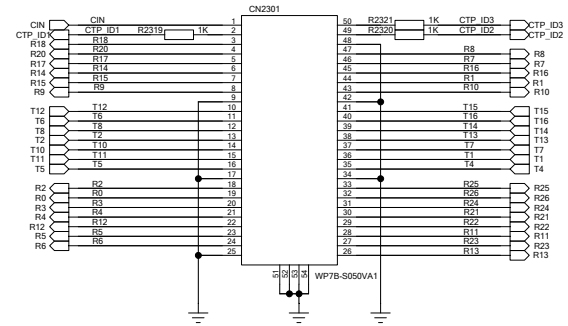
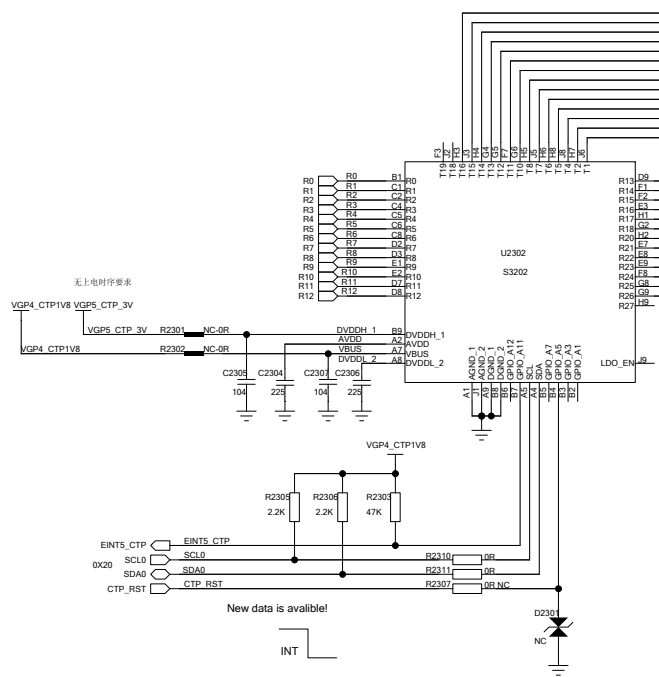
RGB LED DRIVER



电容距离传感器

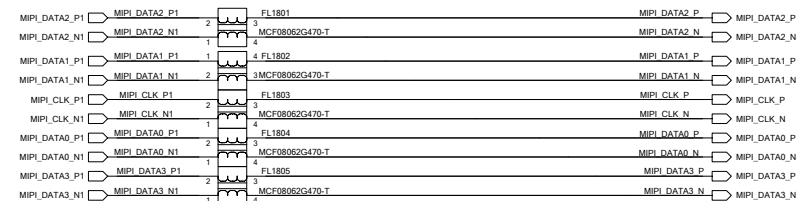
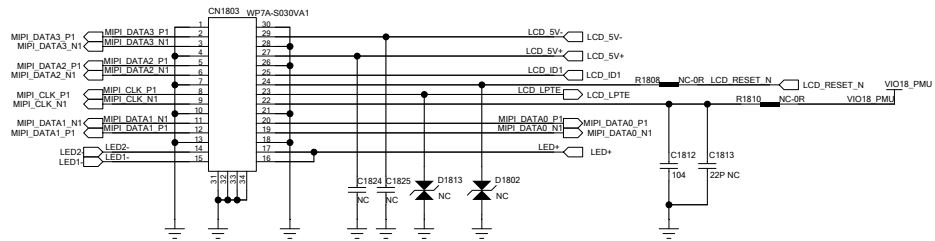


CTP COB

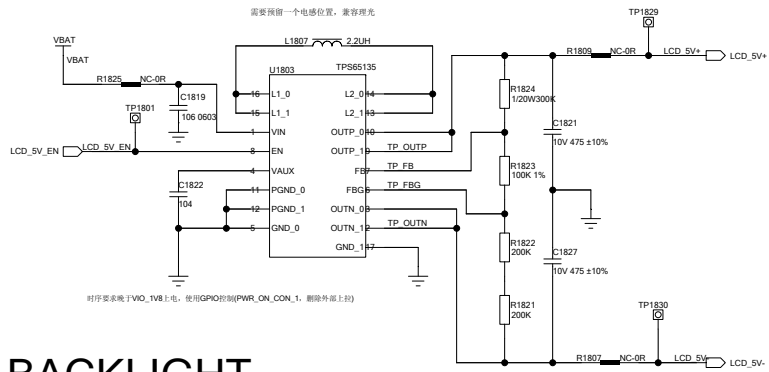


Drawn By	Sign	Date	Type
Checked By			Draw No: 213003-SA
Standard By			Sheet of 15 Ver:
Approved By			oppo

LCM

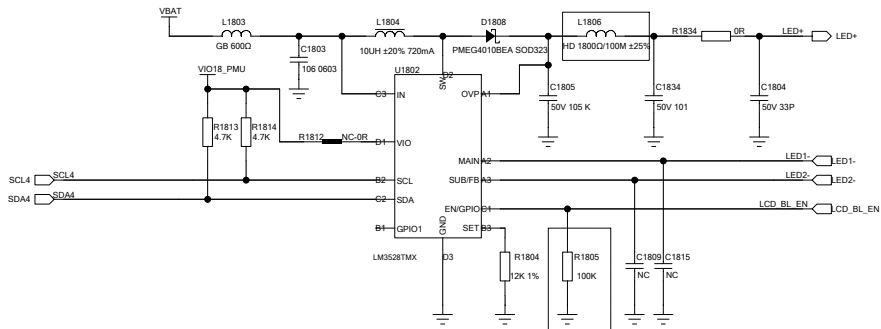


需要预留一个电感位置，兼容背光



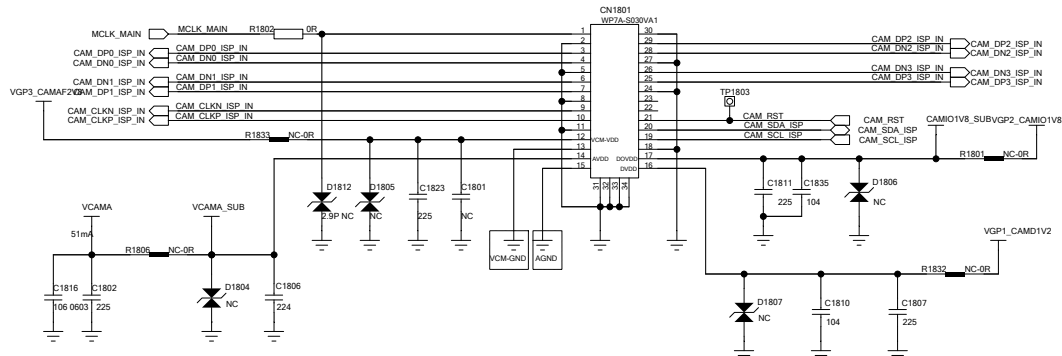
时序要求见VIO_V18_1.c，使用GPIO控制(PWR_ON_CON_1，删除外部上拉)

LCD BACKLIGHT

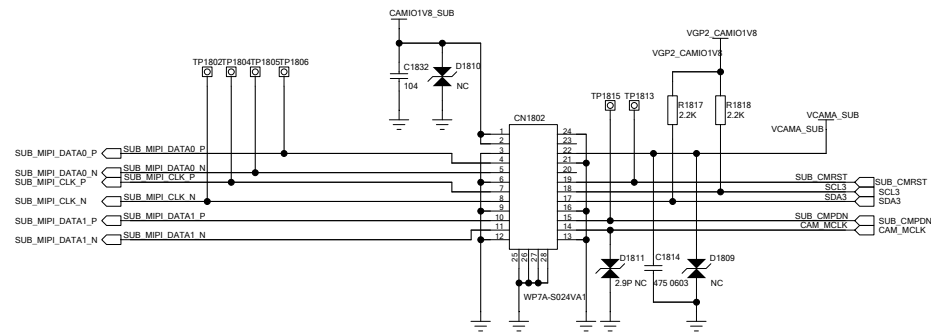


CAMERA

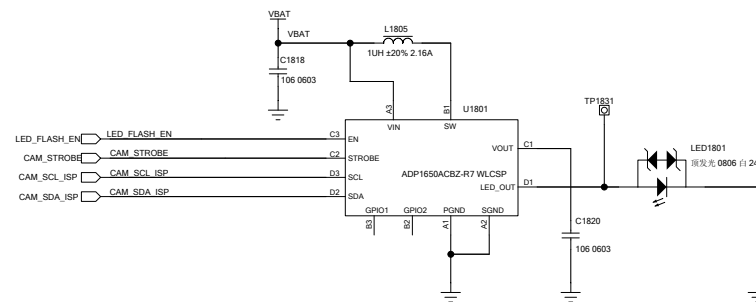
SUPPORT 8M



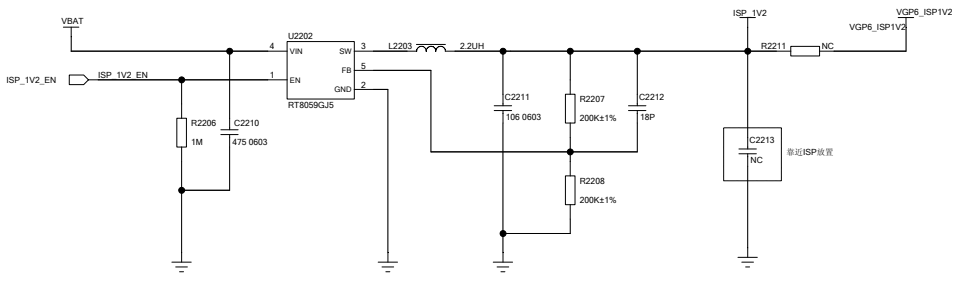
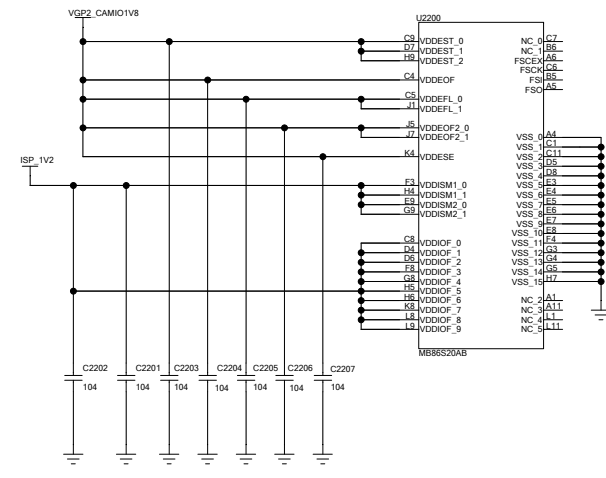
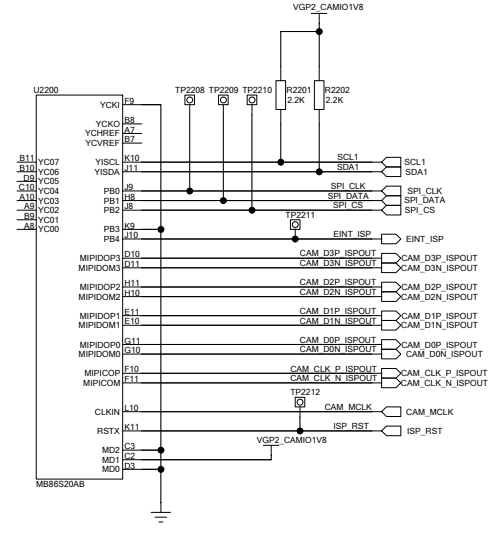
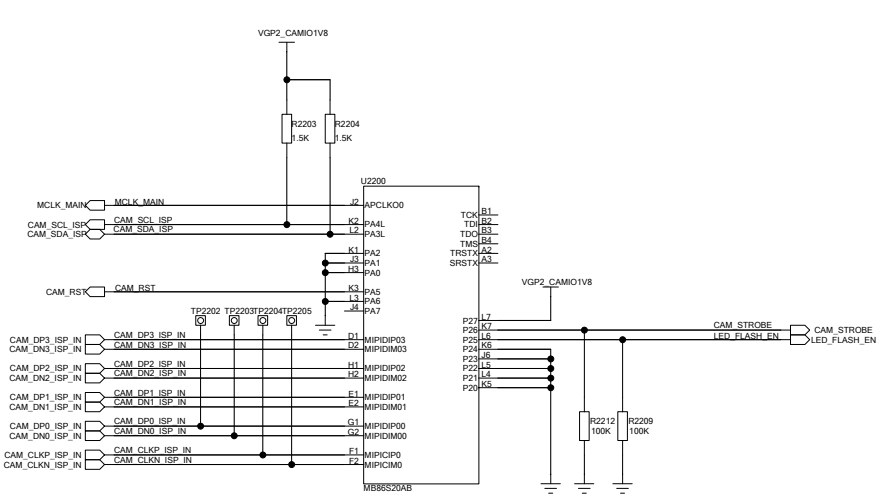
SUB Cam OV5648 5M



Flash LED Driver

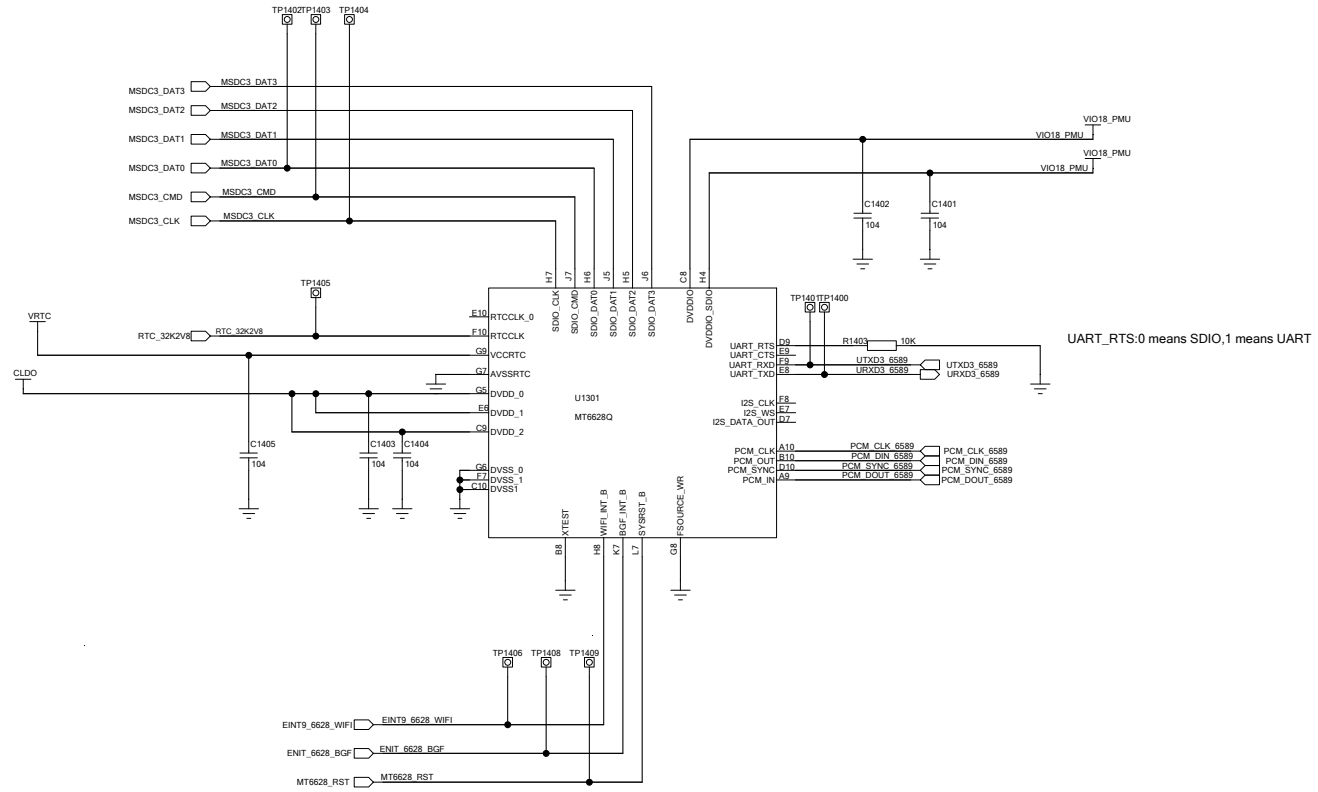


	Sign	Date	Type:
Drawn By			Draw No: MT6589
Checked By			Sheet 6 of 6 Ver:
Standard By			
Approved By			



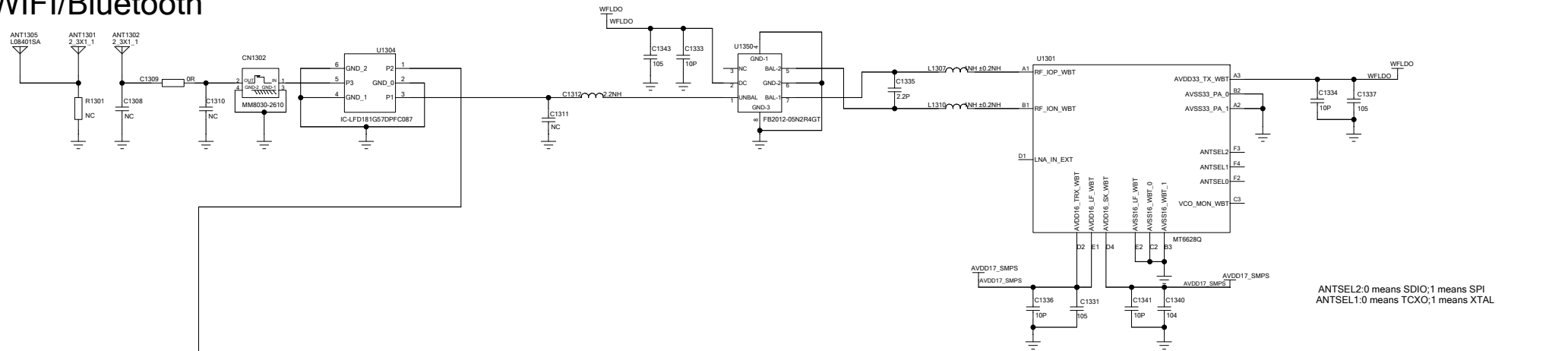
Drawn By	Sign	Date	Type
Checked By			Draw No: 213003-SA
Standard By			Sheet of 15 Ver:
Approved By			oppo

MT6628 GPIO



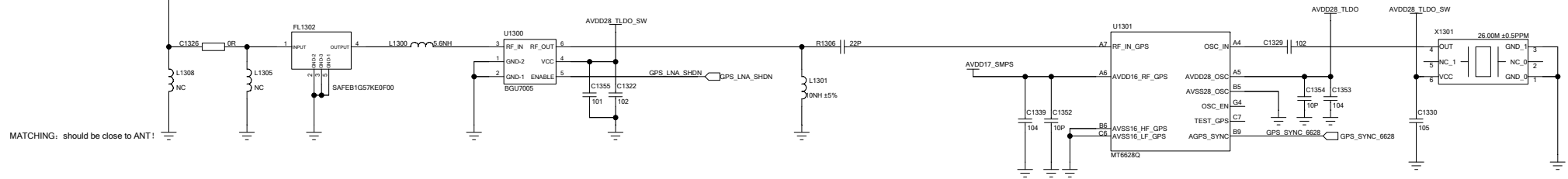
Drawn By	Sign	Date	Type
Checked By			Draw No: MT6589-SA
Standard By			Sheet 14 of 14 Ver:
Approved By			

WIFI/Bluetooth



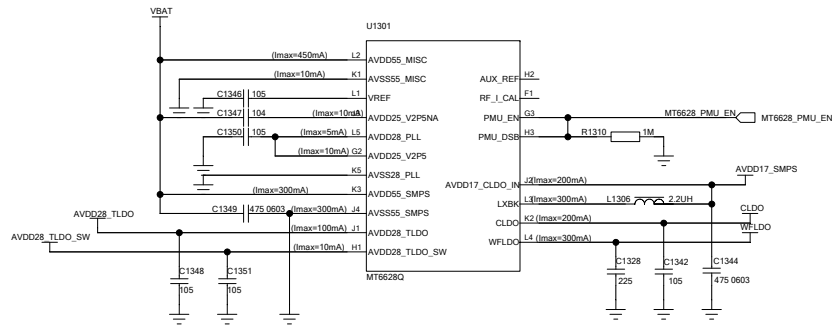
ANTSEL2:0 means SDIO;1 means SPI
ANTSEL1:0 means TCXO;1 means XTAL

GPS

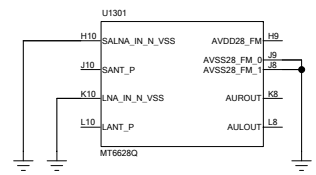


MATCHING: should be close to ANT!

Power Supply

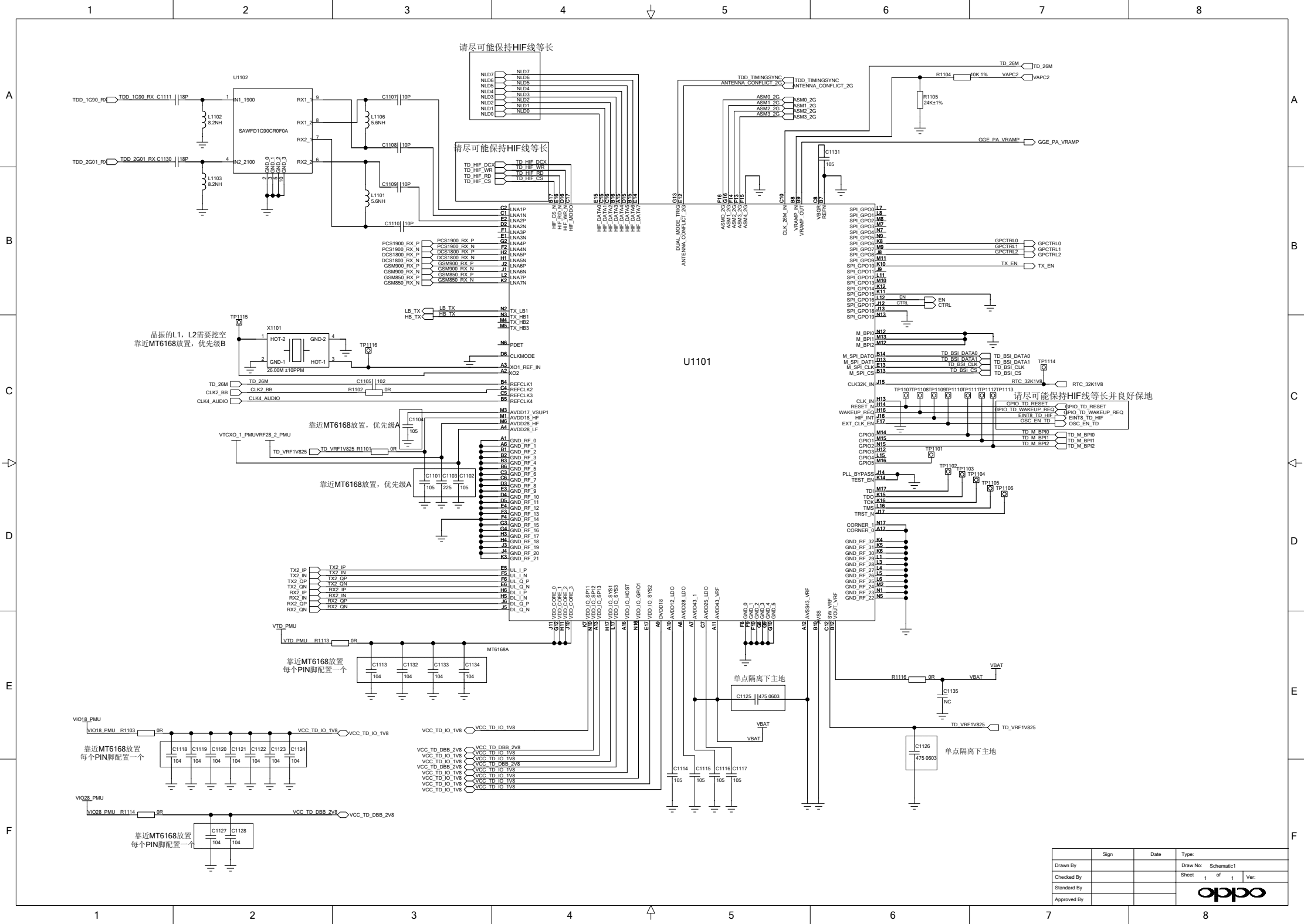


FM



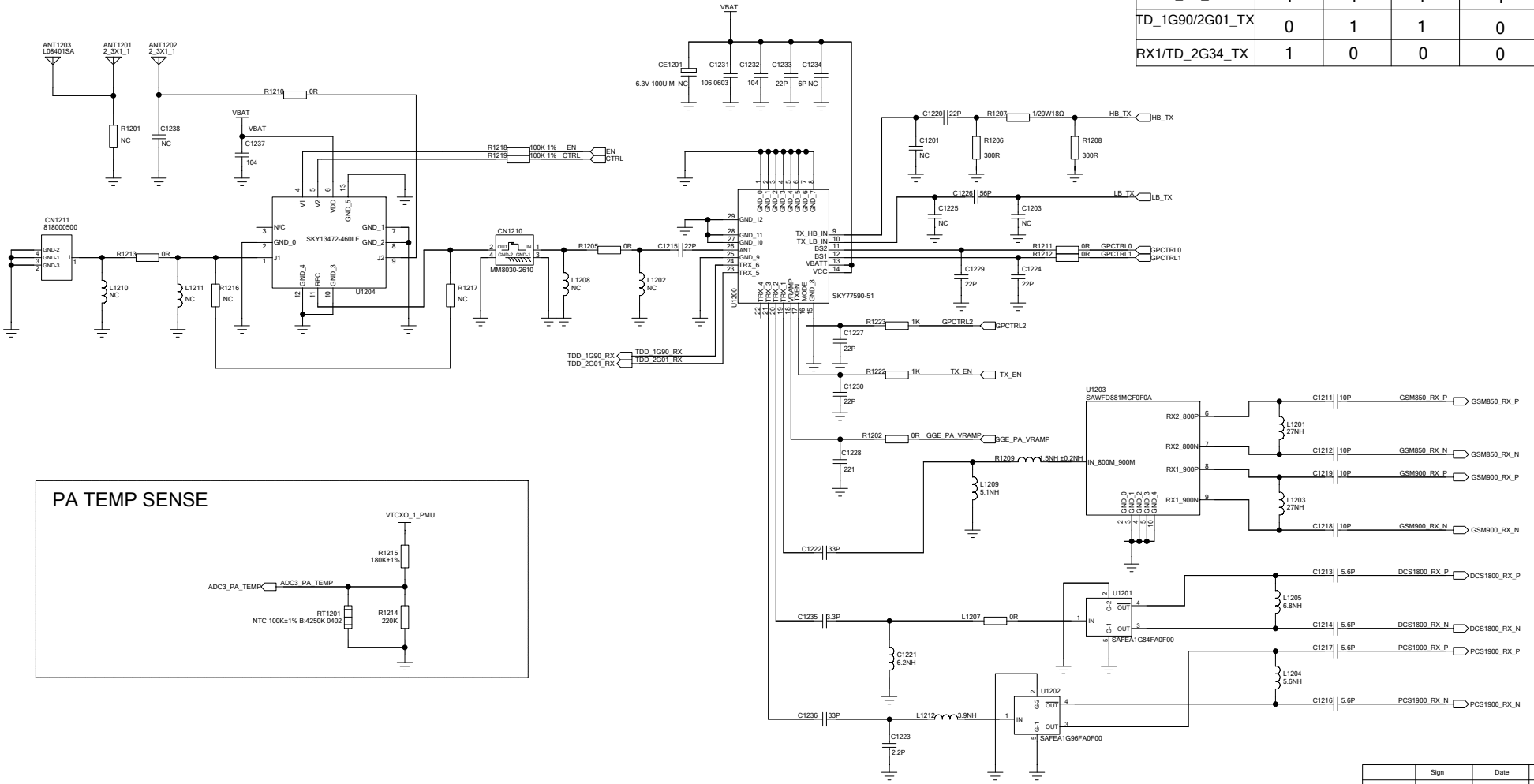
外销兼容

Sign	Date	Type:
Drawn By		Draw No: MT6589
Checked By		Sheet 3 of 3 Ver:
Standard By		
Approved By		



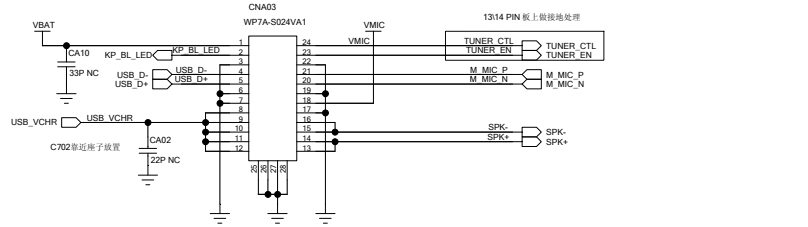
Sign	Date	Type
Drawn By		Draw No: Schematic1
Checked By		Sheet 1 of 1 Ver:
Standard By		
Approved By		

	MODE	BS1	BS2	TxEN	
	BPI_BUS3	BPI_BUS2	BPI_BUS1	BPI_BUS0	
	SPI_GPO8	SPI_GPO7	SPI_GPO6	SPI_GPO10	SPI_GPO3
	GPCTRL2	GPCTRL1	GPCTRL0	TX_EN	PA_EN_2
Standby	0	0	0	0	0
RX6 TD 1G90	0	0	1	0	
RX5 TD 2G01	0	1	0	0	
RX4 TD 2G34	1	1	1	0	
RX3 DCS/PCS	1	0	1	0	
RX2 GSM850/900	1	1	0	0	
GMSK_LB_TX	0	0	1	1	
GMSK_HB_TX	0	1	1	1	
EDGE_LB_TX	1	0	1	1	
EDGE_HB_TX	1	1	1	1	
TD_1G90/2G01_TX	0	1	1	0	
RX1/TD_2G34_TX	1	0	0	0	1

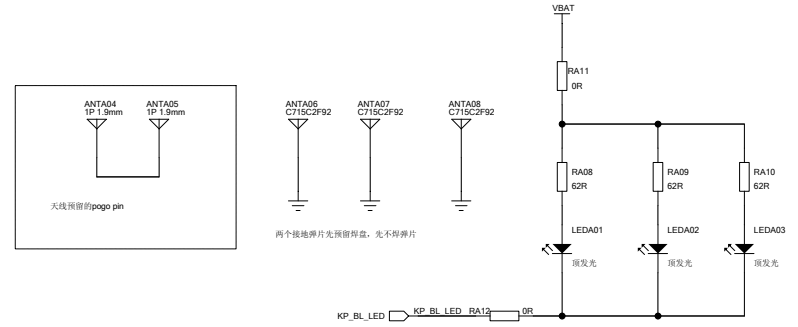


Sign	Date	Type
Drawn By		Draw No: Schematic1
Checked By		Sheet 1 of 1 Ver:
Standard By		
Approved By		oppo

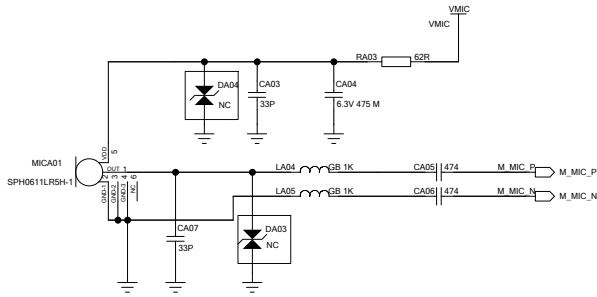
BTB



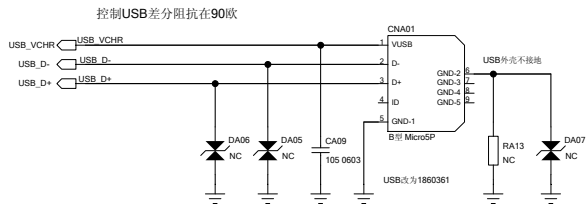
天线



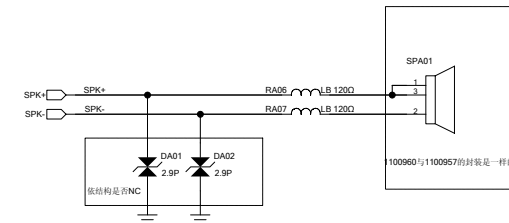
MIC



USB



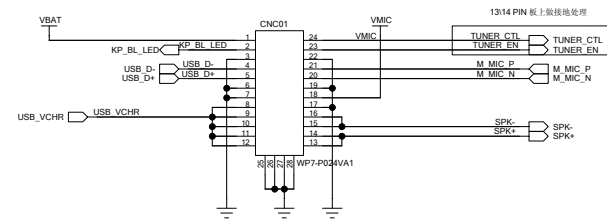
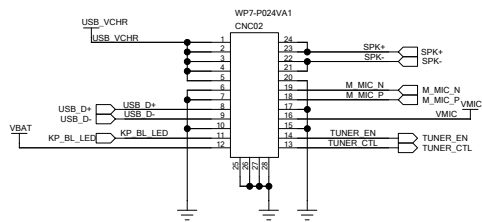
扬声器



外销兼容电路，需要保留焊盘

Sign	Date	Type
Drawn By		Draw No: 712035-SA
Checked By		Sheet 2 of 2 Ver:
Standard By		
Approved By		

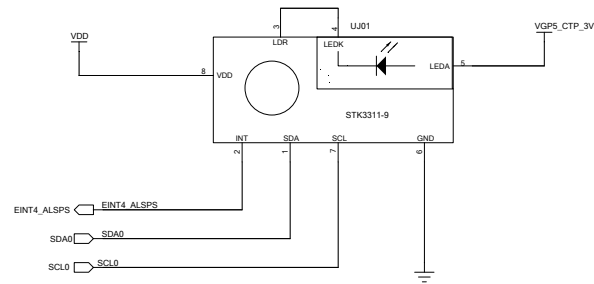




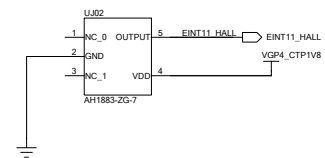
此插头必须和天线小板BTB适配，引脚顺序以做调整

	Sign	Date	Type
Drawn By			Draw No: B12035-SA
Checked By			Sheet 1 of 1 Ver:
Standard By			
Approved By			

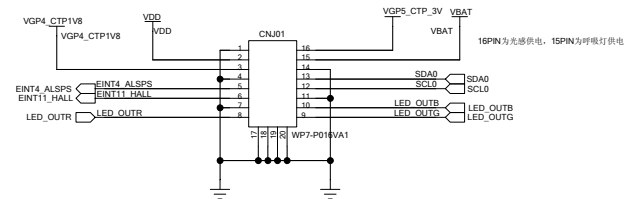
光感



Hall开关

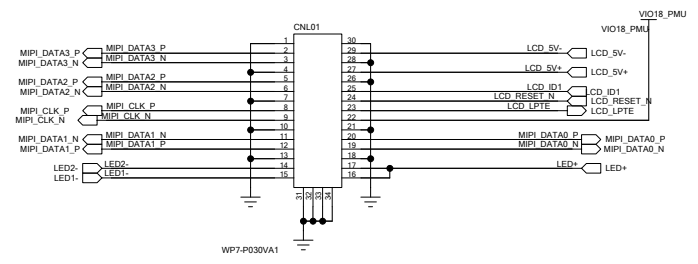
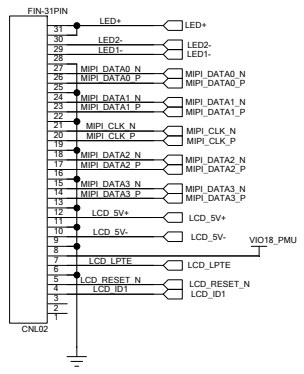


需预留3个0201电容的空间



15PIN为光感供电，15PIN为呼吸灯供电

	Sign	Date	Type
Drawn By			Draw No: B12035-SA
Checked By			Sheet 1 of 1 Ver:
Standard By			
Approved By			oppo



	Sign	Date	Type:
Drawn By			Draw No: L13003-SA
Checked By			Sheet 1 of 1 Ver:
Standard By			
Approved By			oppo