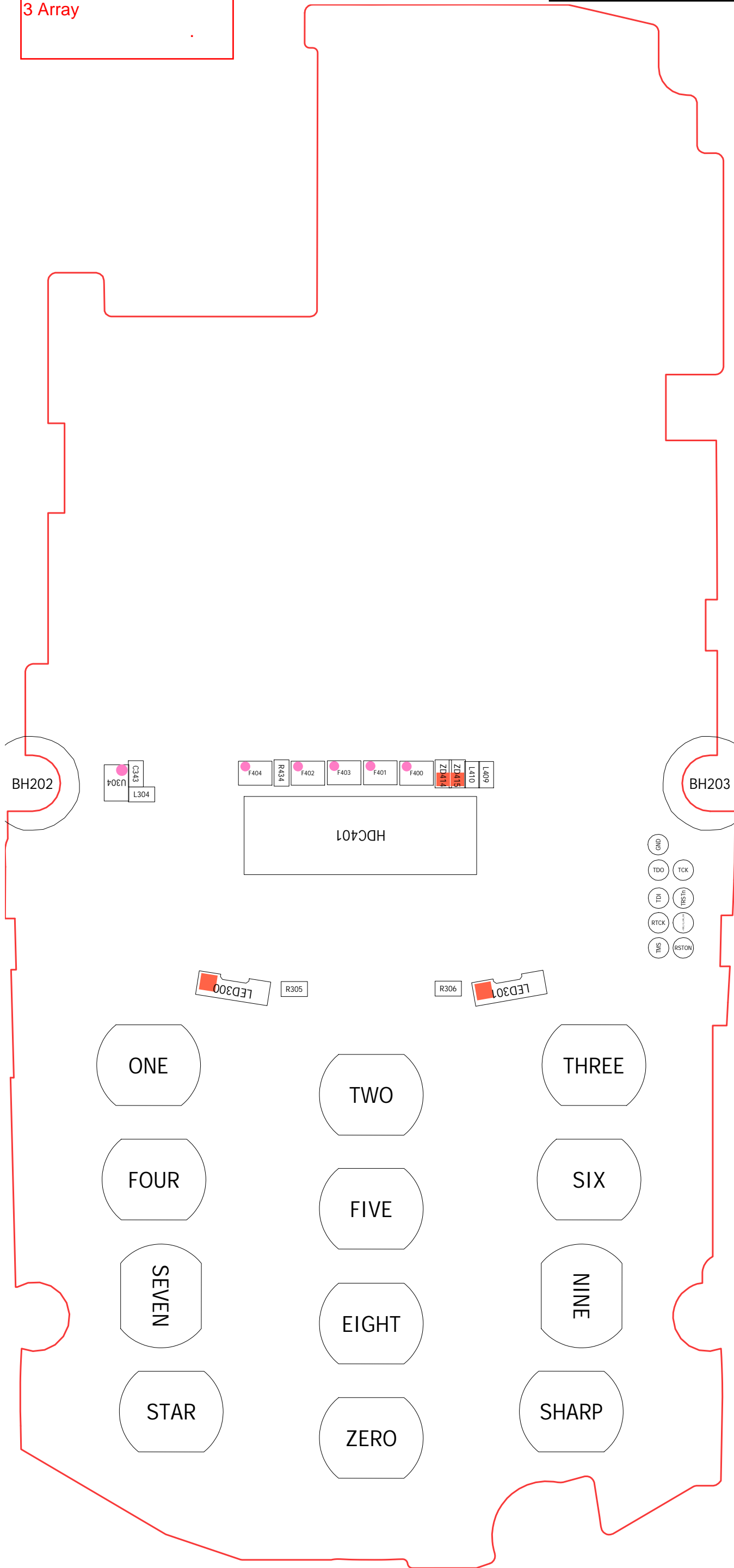
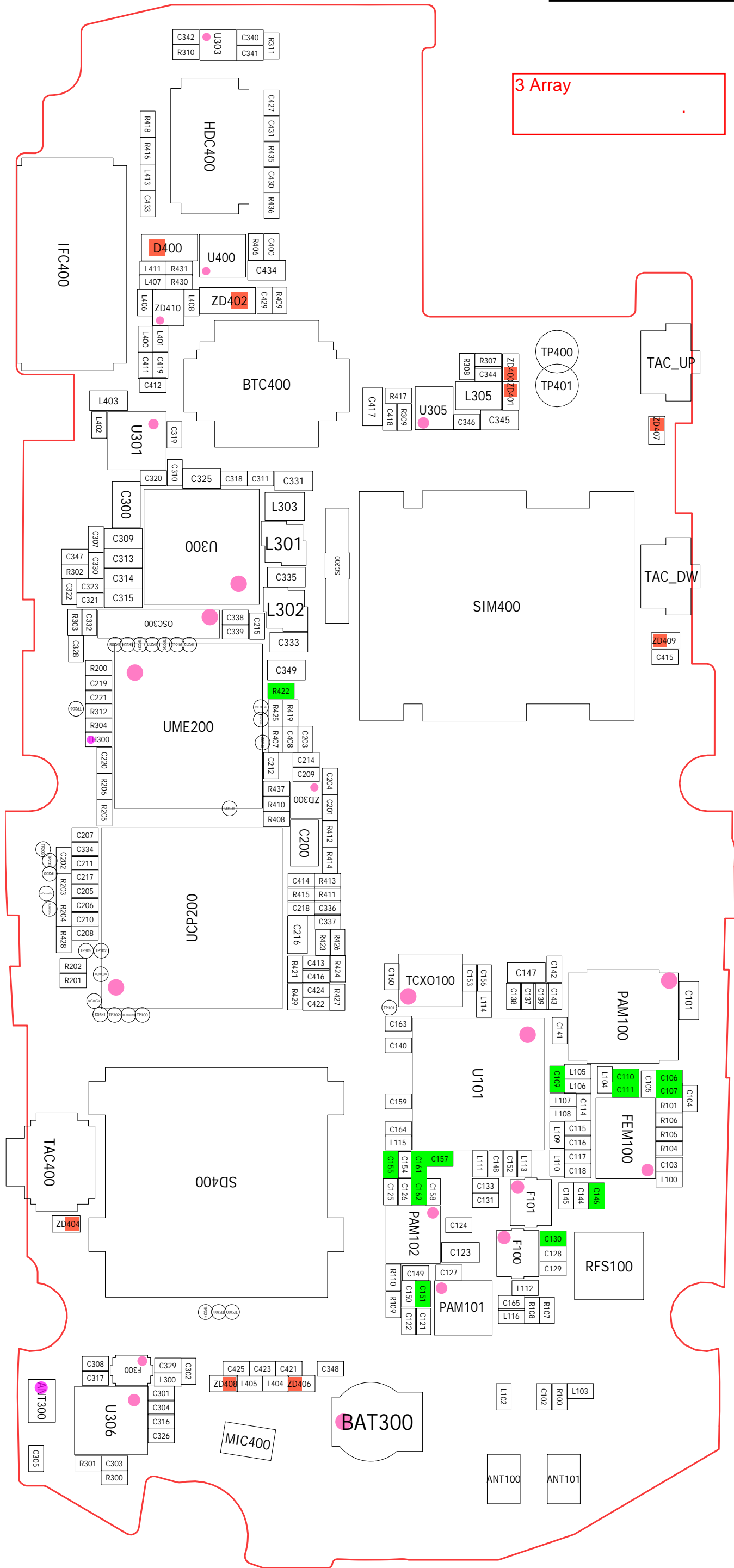


Model : GT-S5550
Revision : REV 0.4
Manufacture Count : 300
Charge : Park, Chan-Yang
Contact : 011-9838-8644
Date : 2009.10.22
Routing : 0
Resin : 0

3 Array

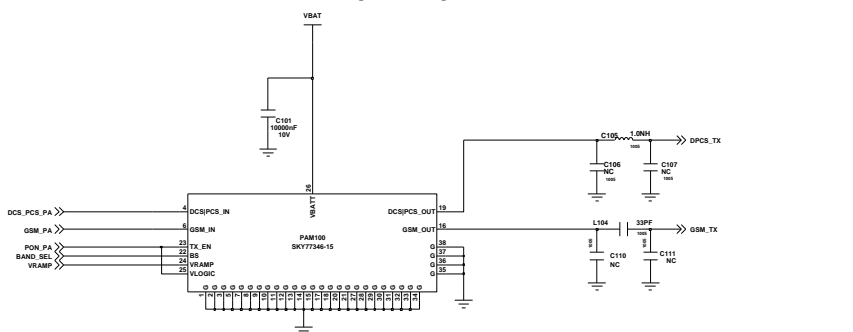


Model : GT-S5550
 Revision : REV 0.4
 Manufacture Count : 300
 Charge : Park, Chan-Yang
 Contact : 011-9838-8644
 Date : 2009.10.22
 Routing : O
 Resin : O



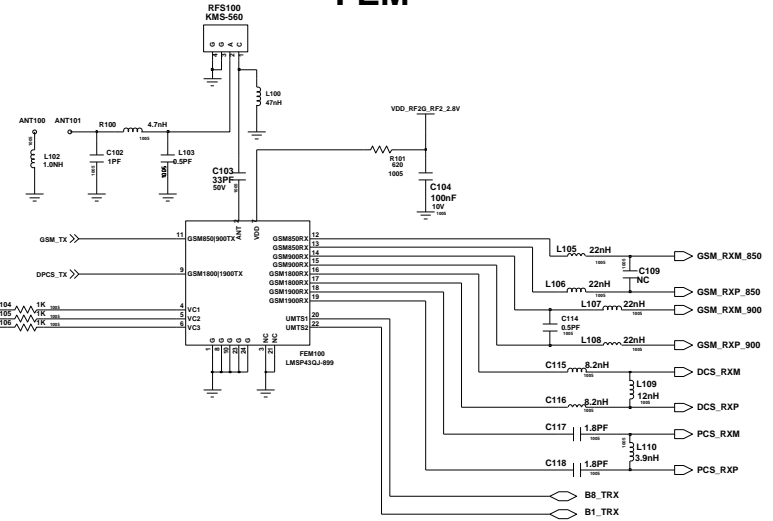
3 Array

PAM (2.5G)

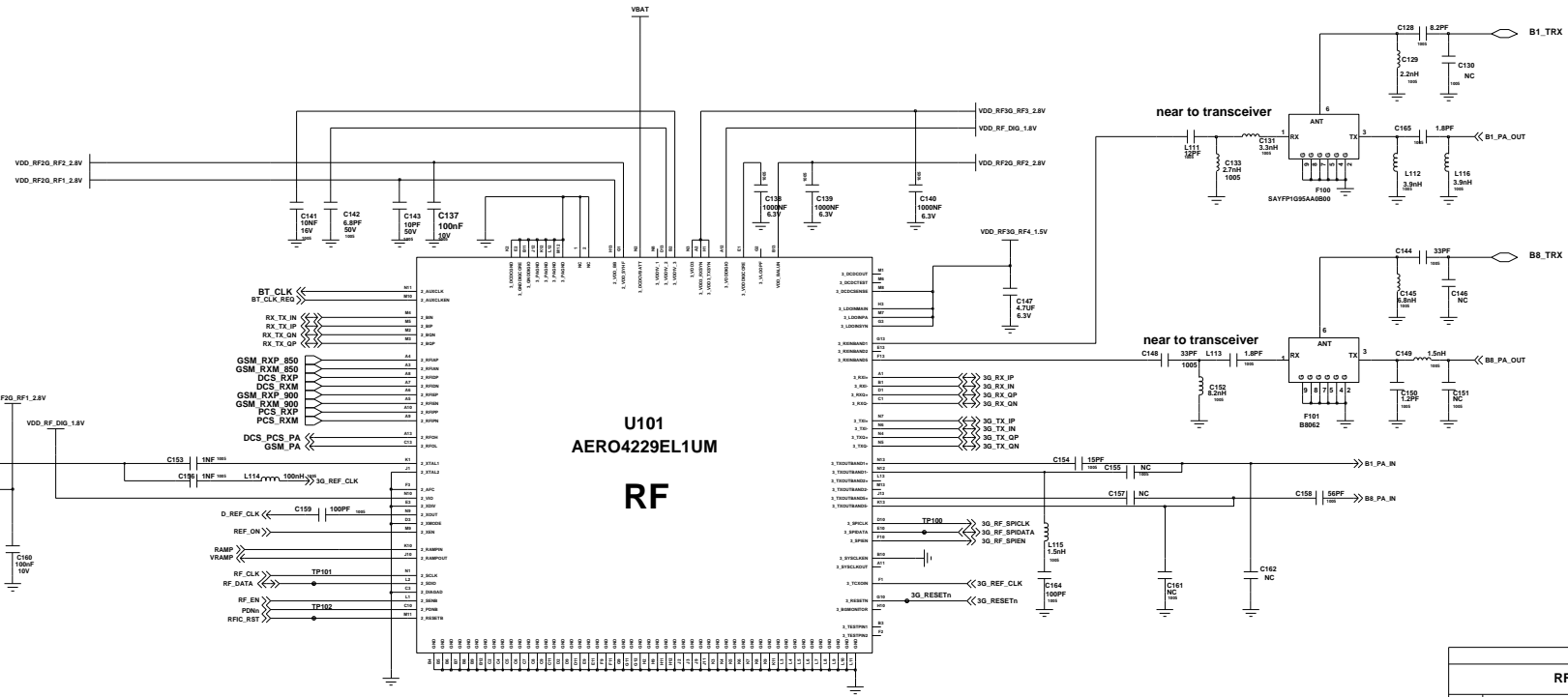
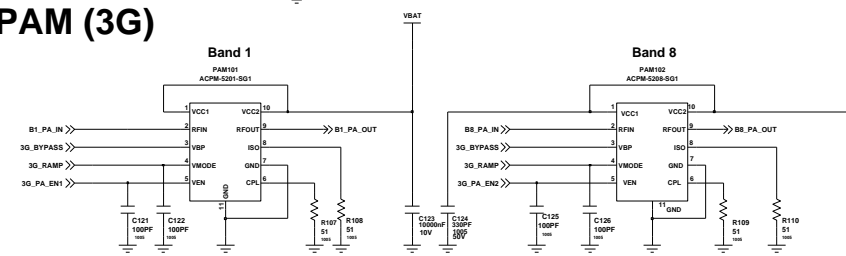


FEM CONTROL	RFSM1	RFSM2	RFSM3
TX_GSM850/900	1	1	1
TX_DCS/PCS	1	0	0
RX_GSM850/900	0	1	1
RX_DCS/PCS	0	0	1
B1_TRX	1	1	0
B8_TRX	1	0	1

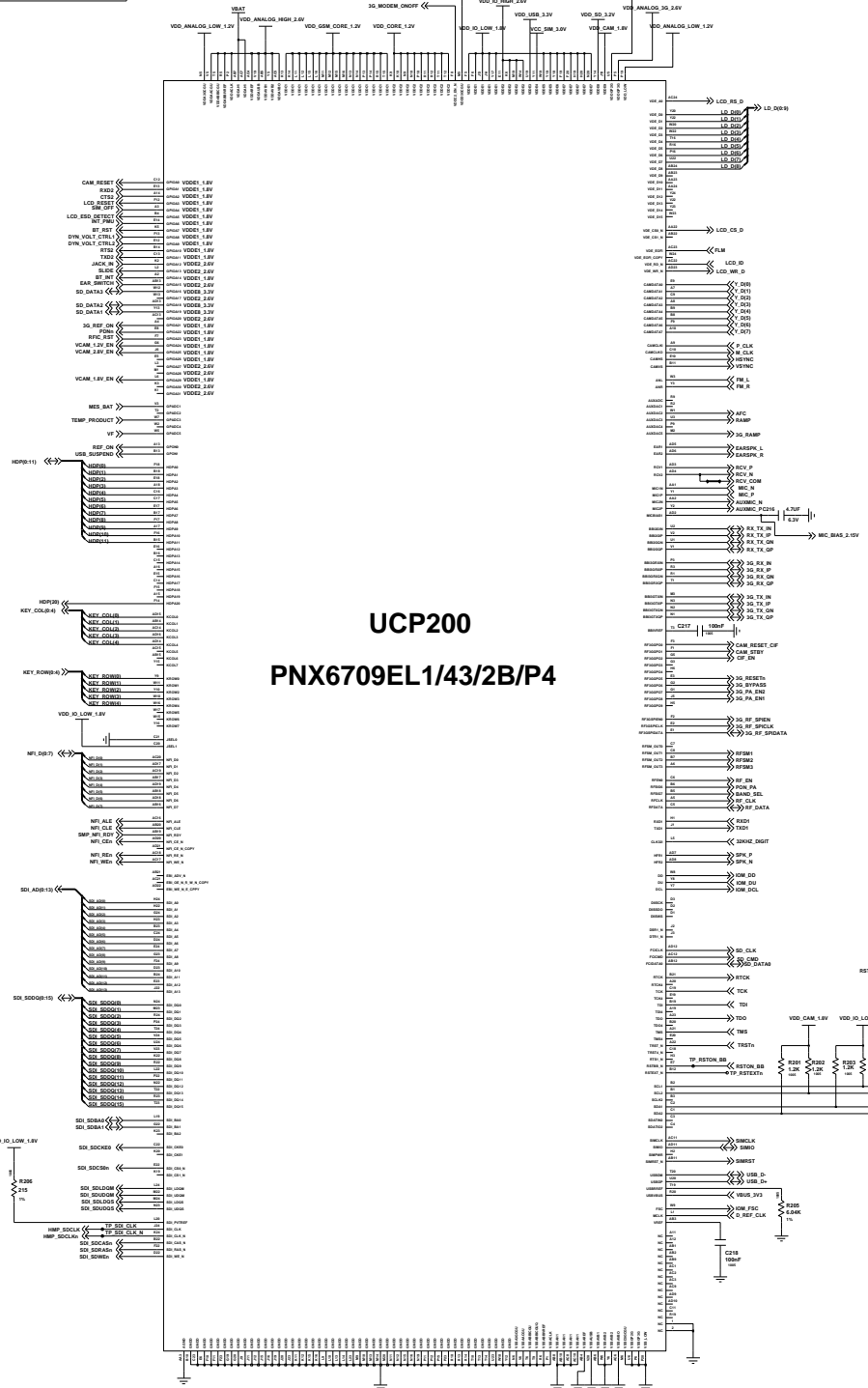
FEM



PAM (3G)

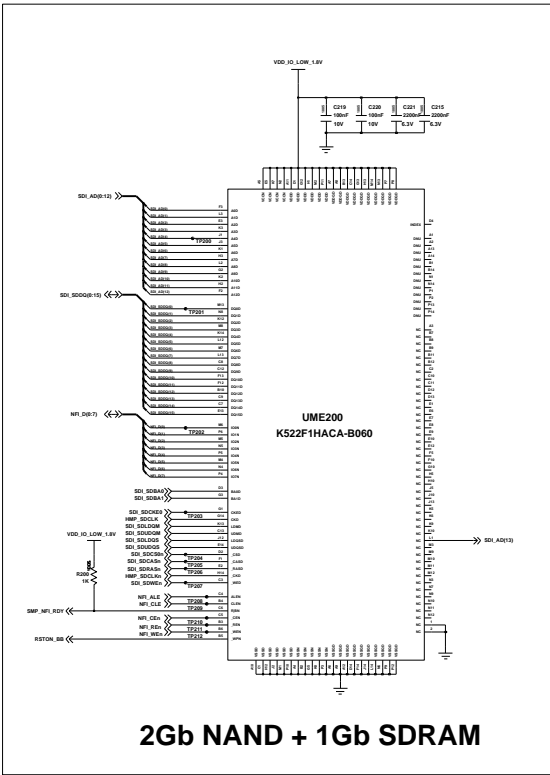
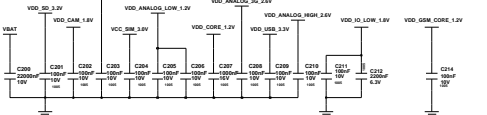


U101
 AERO4229EL1UM
 RF

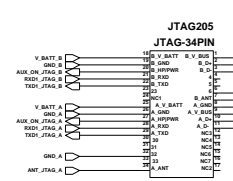
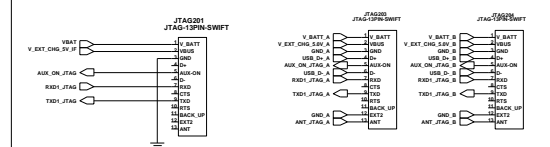
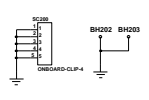


UCP200
PNX6709EL1/43/2B/P4

MAIN CHIP

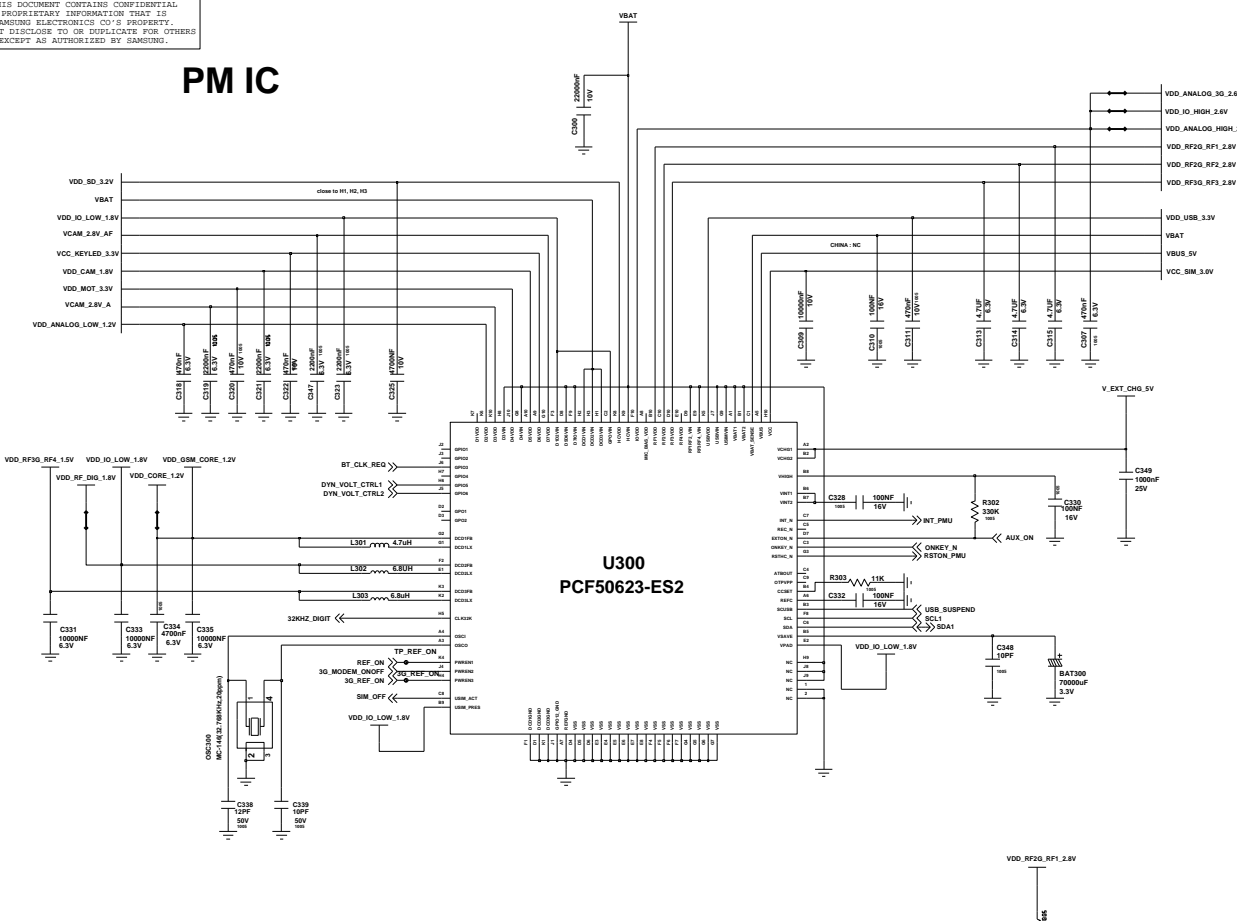


2Gb NAND + 1Gb SDRAM

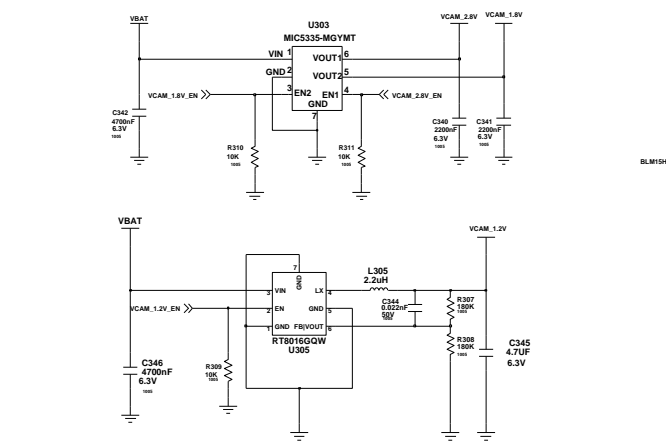


JTAG

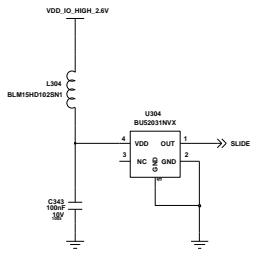
PM IC



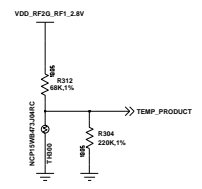
CAMERA PMU



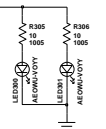
HALL IC



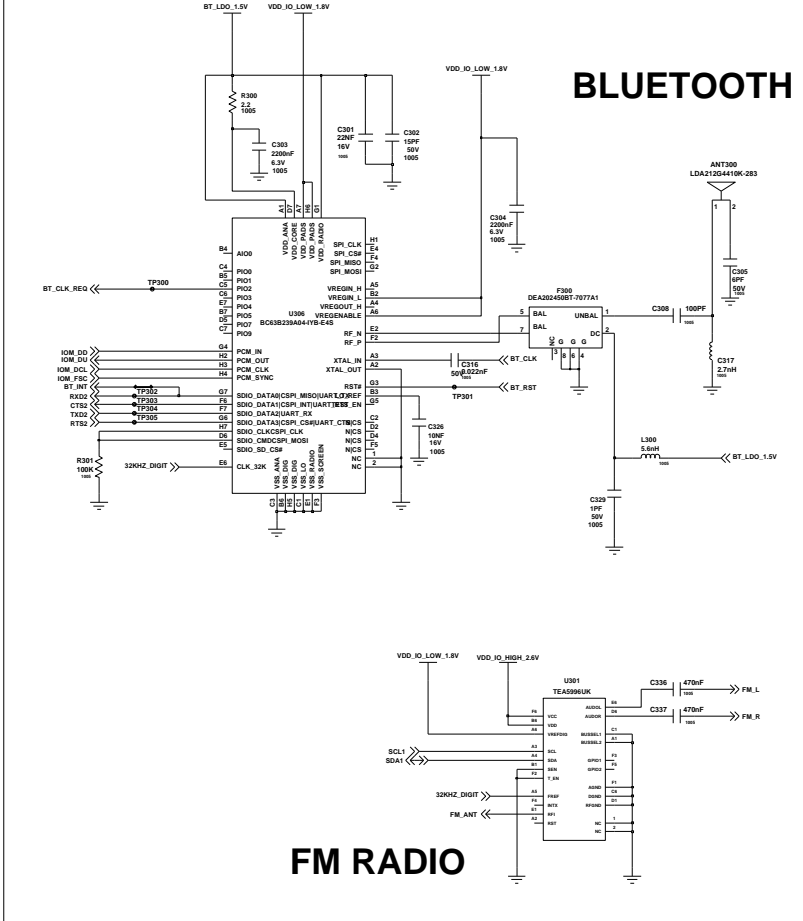
THERMISTER



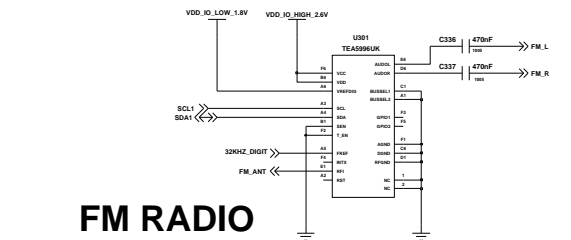
KEY LED



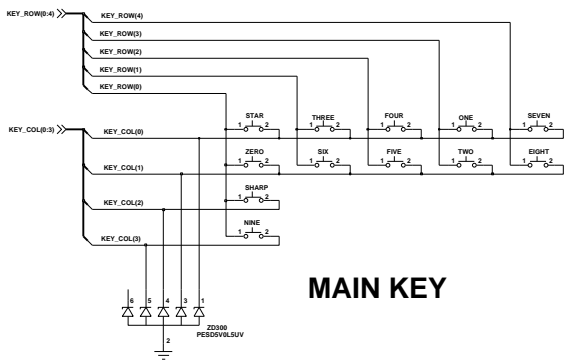
BLUETOOTH



FM RADIO



MAIN KEY



PMU, THERM, FL IC, MAIN KEY, FM RADIO, BT, KEY LED, CAM PMU

