

Nokia Customer Care

Service Manual

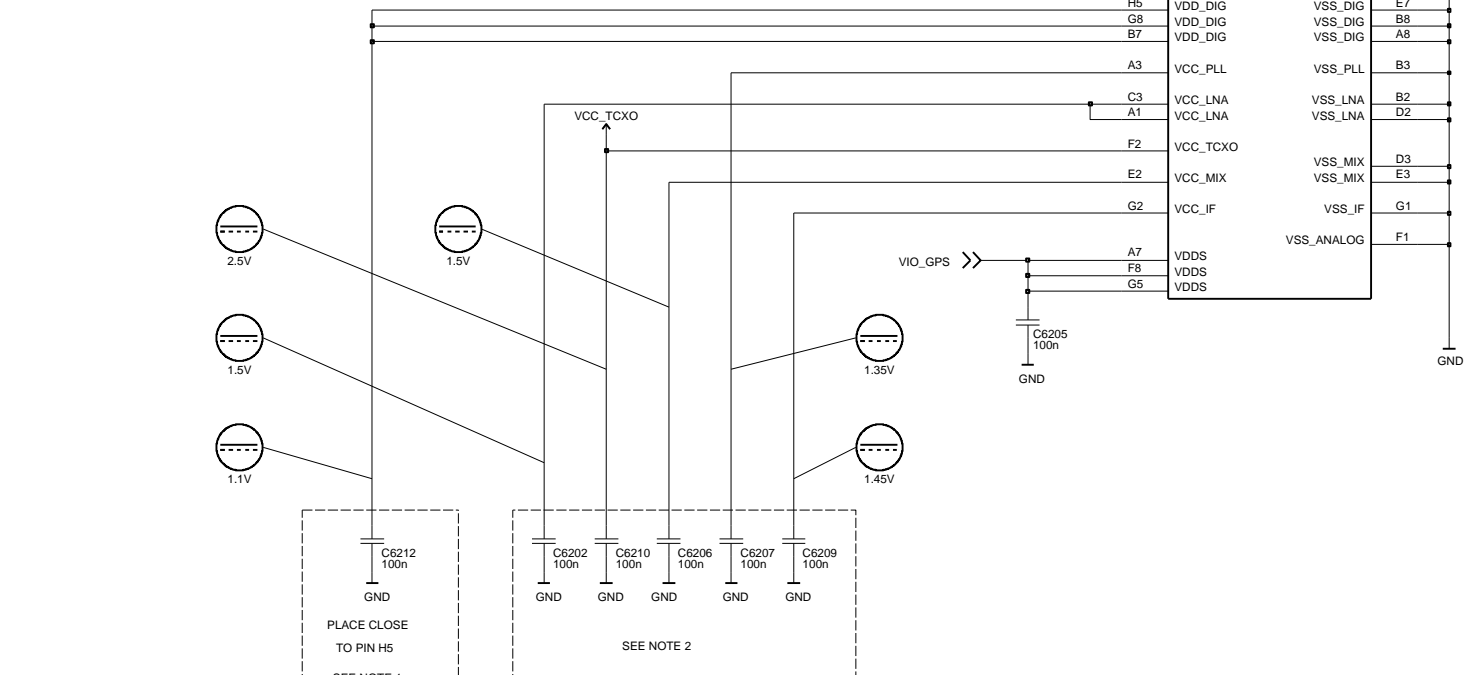
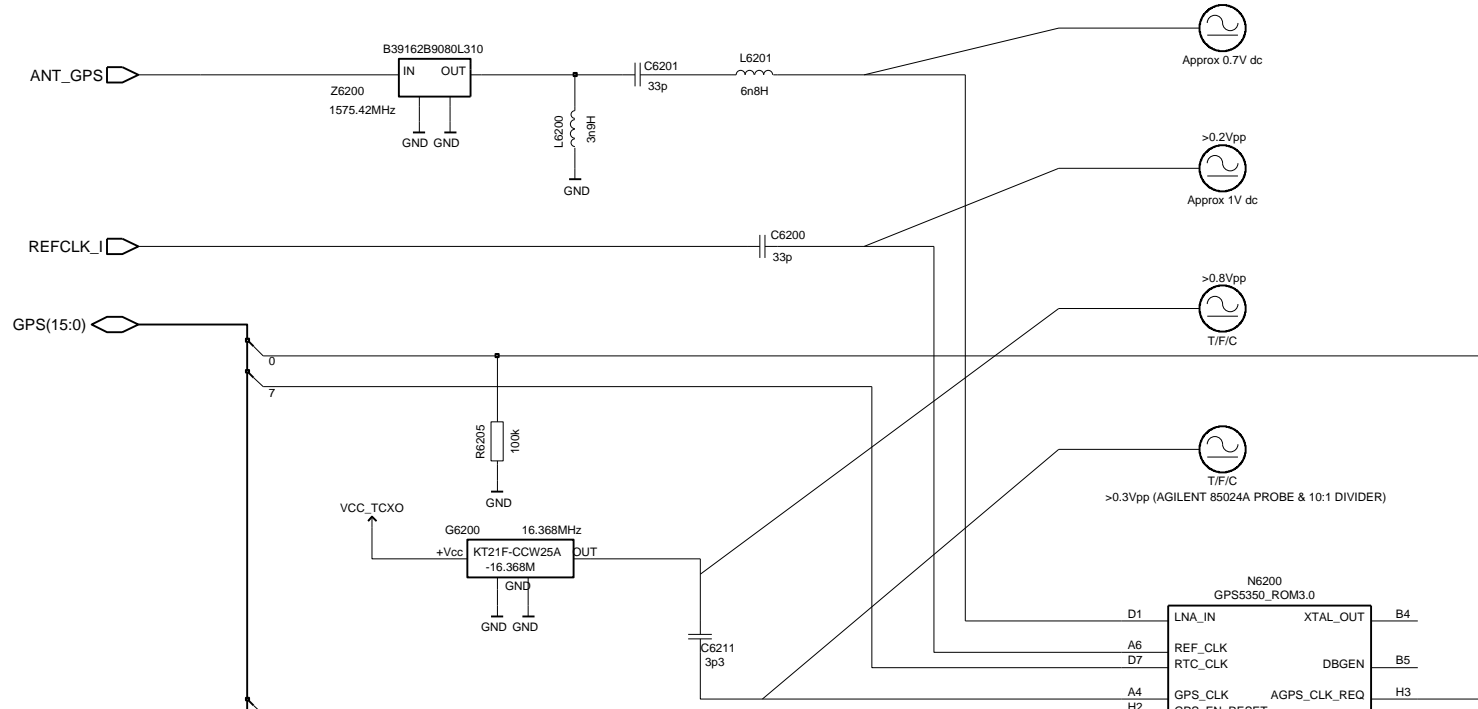
RM-346; RM-357; RM-407 (Nokia E71)

Schematics

Part No: (Issue 1)

COMPANY CONFIDENTIAL

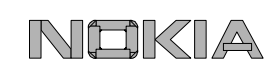




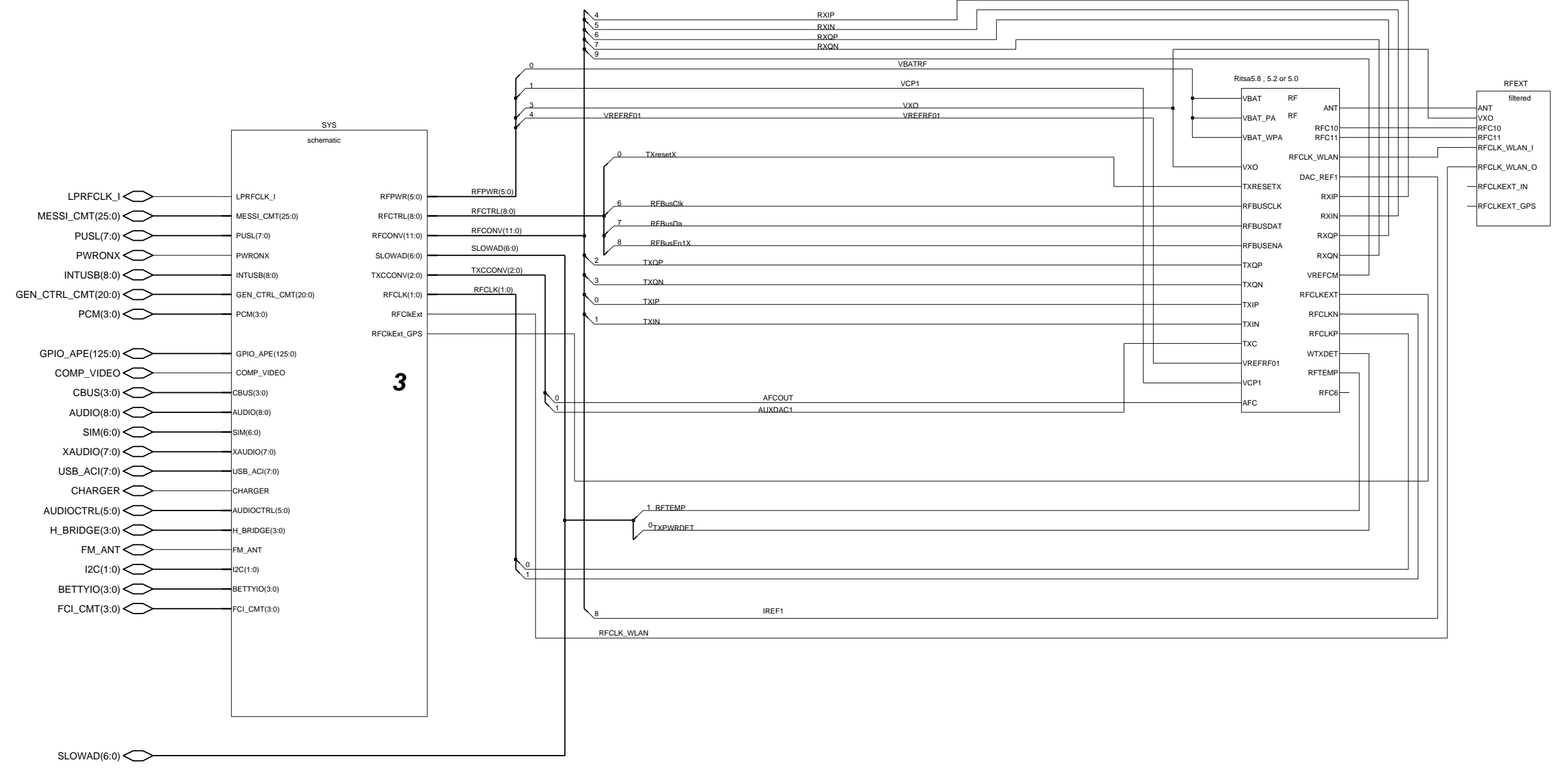
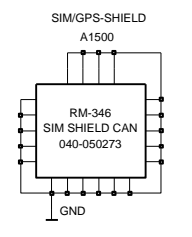
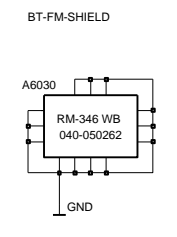
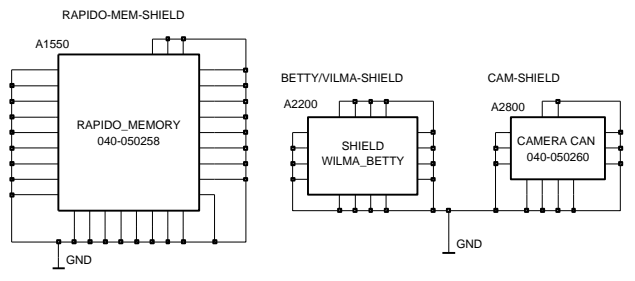
- NOTES
- 1) TRACK INDUCTANCE FROM VDD_DIG, N6200-H5 TO C6212 MUST BE 1nH MAX.
 - 2) TRACK INDUCTANCE FROM VDD_XXX, N6200 TO DECOUPLING CAPS MUST BE 1nH MAX.

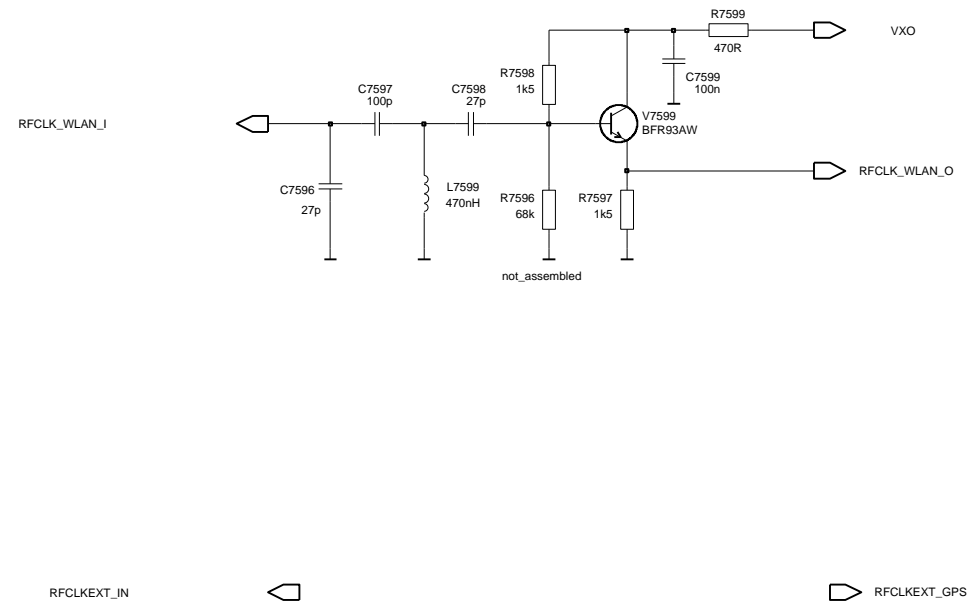
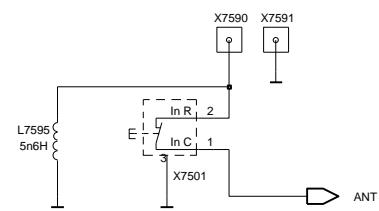
MODE	CONNECT N6200 (PIN)	TO
	IO_PA_EN	GND (PREVENTS FLOATING INPUT)

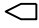
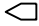
Copyright (C) Nokia Corporation. All rights reserved.
 THIS DRAWING IS PROTECTED BY COPYRIGHT AS AN UNPUBLISHED WORK.
 UNAUTHORIZED REPRODUCTION OF THIS DRAWING IS NOT PERMITTED.
 THIS DRAWING CONTAINS PROPRIETARY AND CONFIDENTIAL INFORMATION.
 This document is property of Nokia Corporation



Name	COST 4.0 REFERENCE		Appr
Assoc			Des.
			Dr.
Proj		Draw.	Sheet: 1 of 1 Print Yes V: 0.0 Edit 26



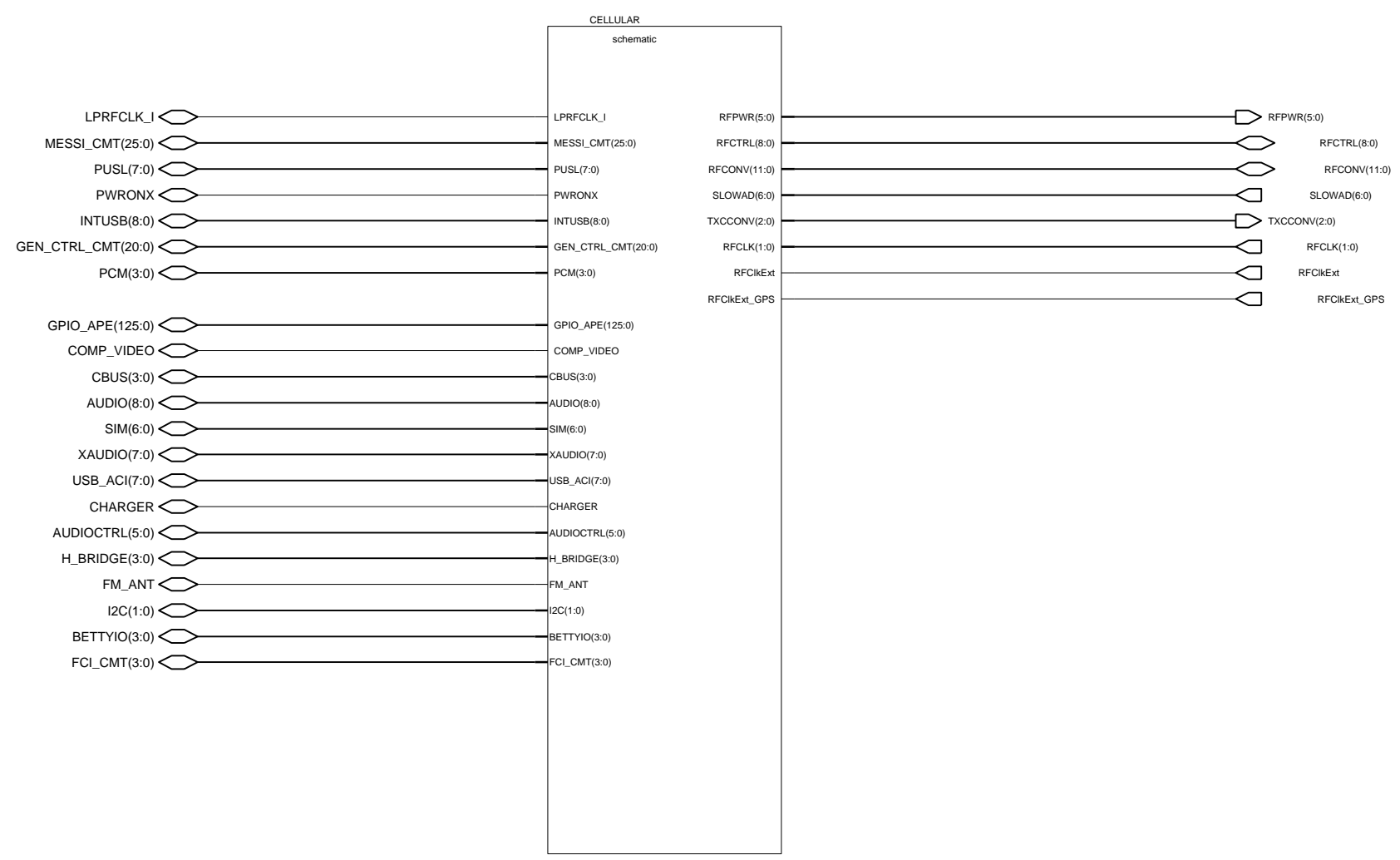


 RFC10
 RFC11

Copyright (C) Nokia Corporation. All rights reserved.
 THIS DRAWING IS PROTECTED BY COPYRIGHT AS AN UNPUBLISHED WORK.
 UNAUTHORIZED REPRODUCTION OF THIS DRAWING IS NOT PERMITTED.
 THIS DRAWING CONTAINS PROPRIETARY AND CONFIDENTIAL INFORMATION.
 This document is property of Nokia Corporation

NOKIA

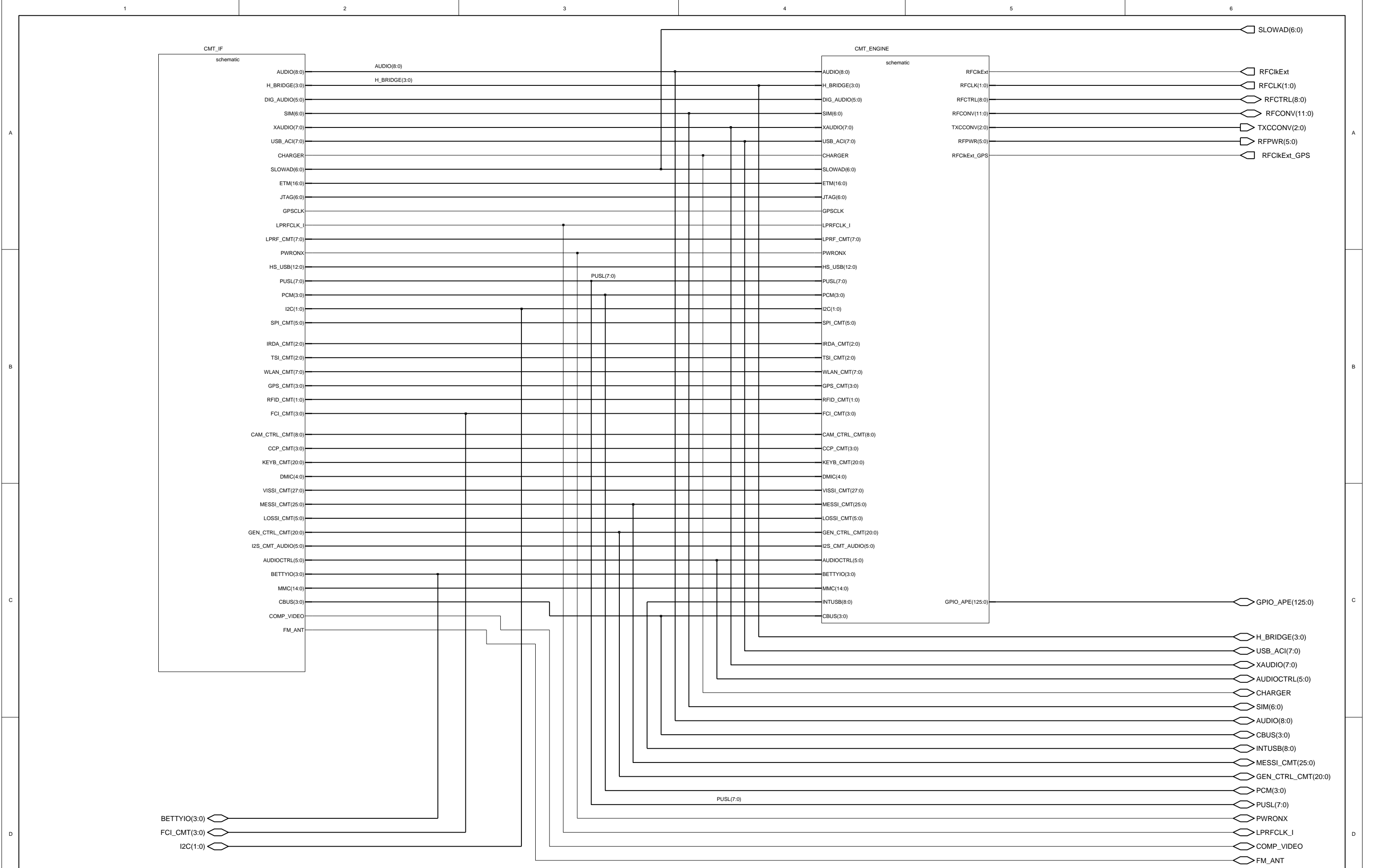
Name	RF EXT	Appr	dd-mmm-yy
Assoc		Des.	
File		Dr.	
Proj		Sheet XX of yy	0 (01)
	Draw.	Print Yes	V. 0,0 Edit 14



Copyright (C) Nokia Corporation. All rights reserved.
 THIS DRAWING IS PROTECTED BY COPYRIGHT AS AN UNPUBLISHED WORK.
 UNAUTHORIZED REPRODUCTION OF THIS DRAWING IS NOT PERMITTED.
 THIS DRAWING CONTAINS PROPRIETARY AND CONFIDENTIAL INFORMATION.
 This document is property of Nokia Corporation



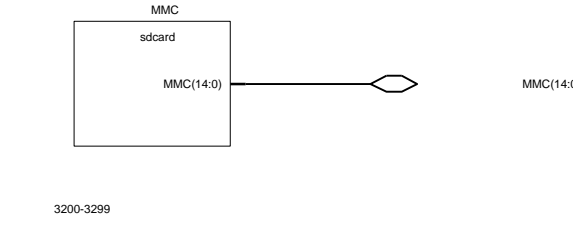
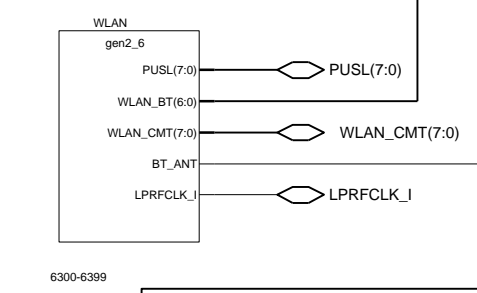
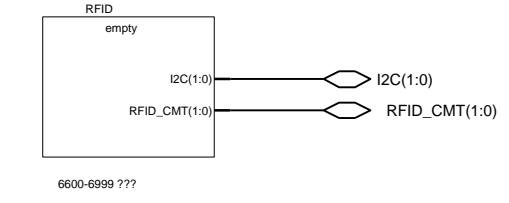
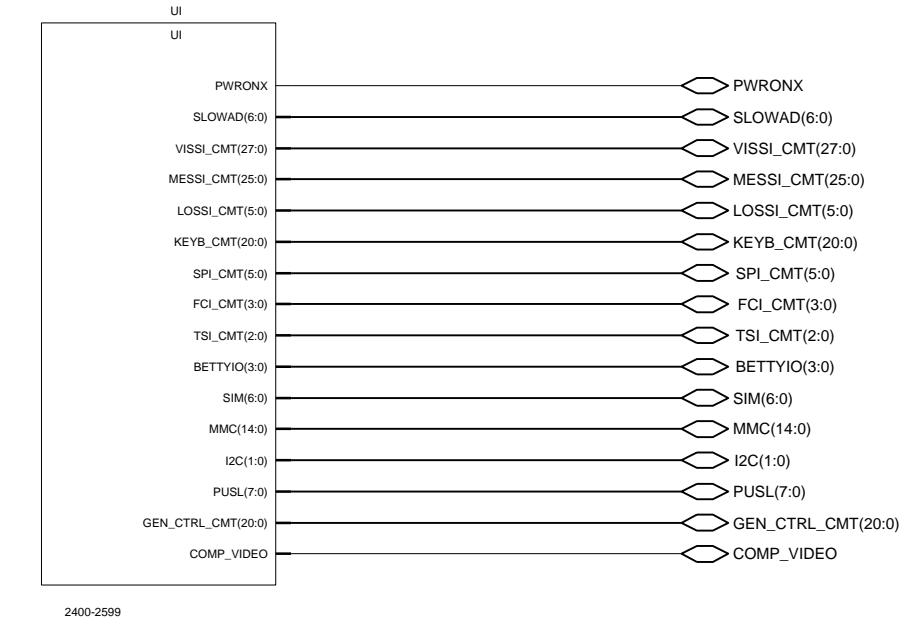
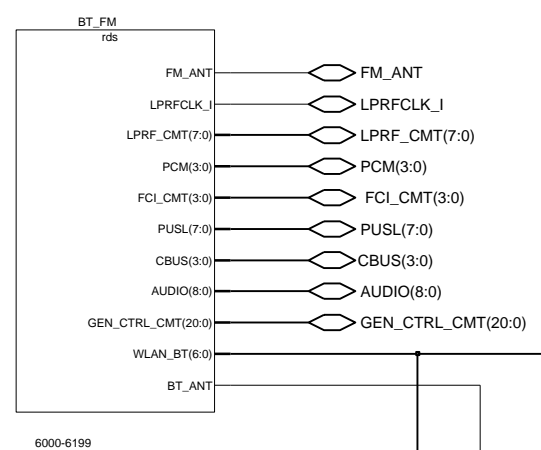
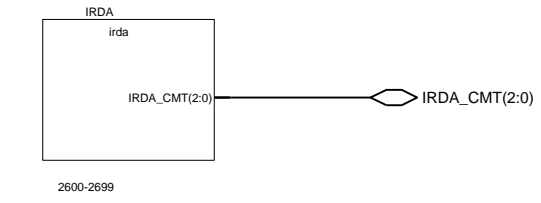
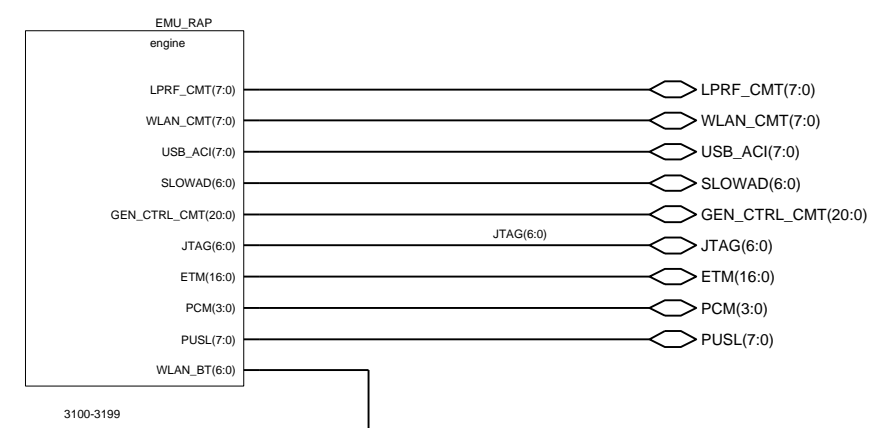
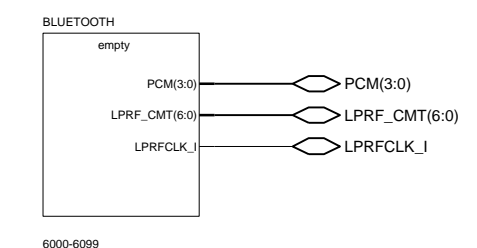
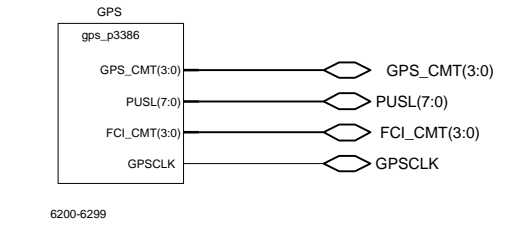
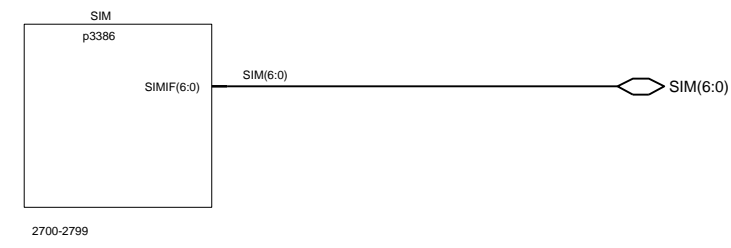
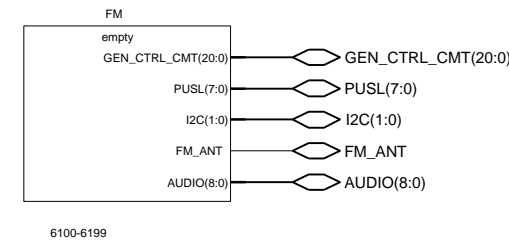
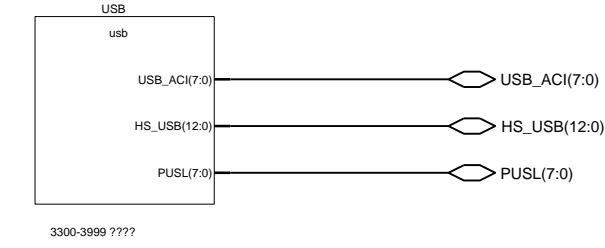
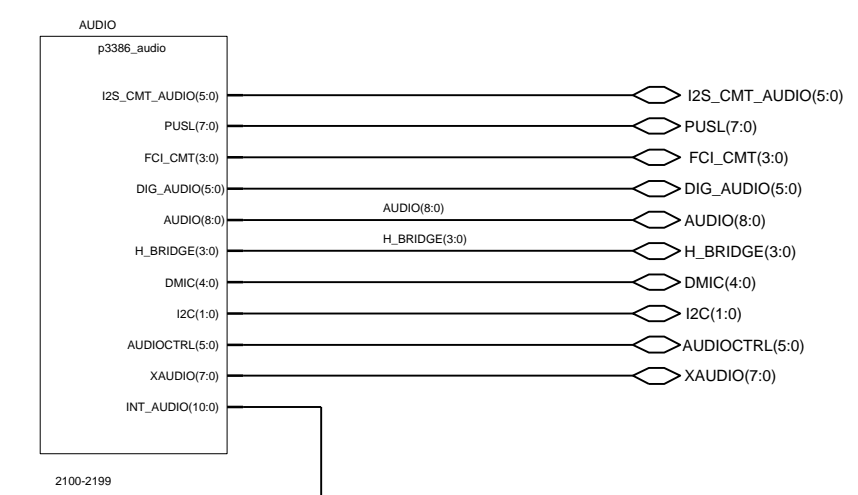
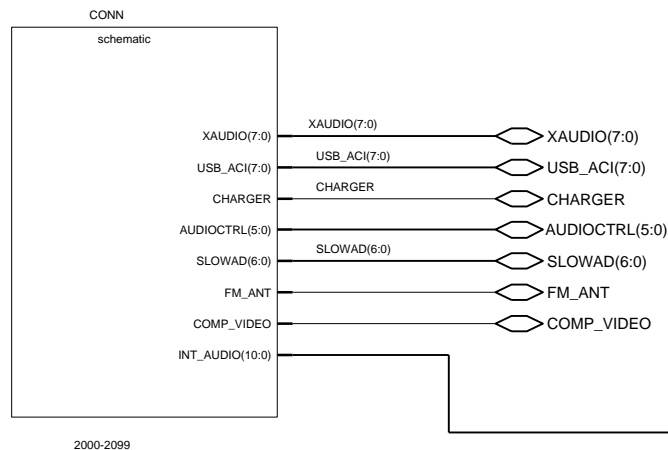
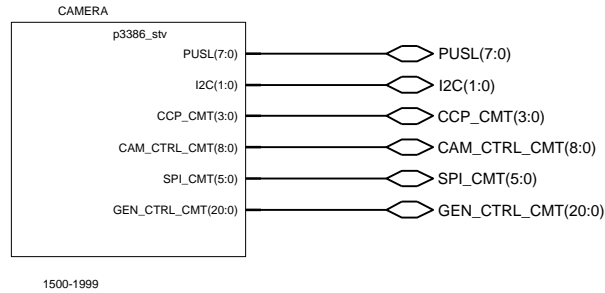
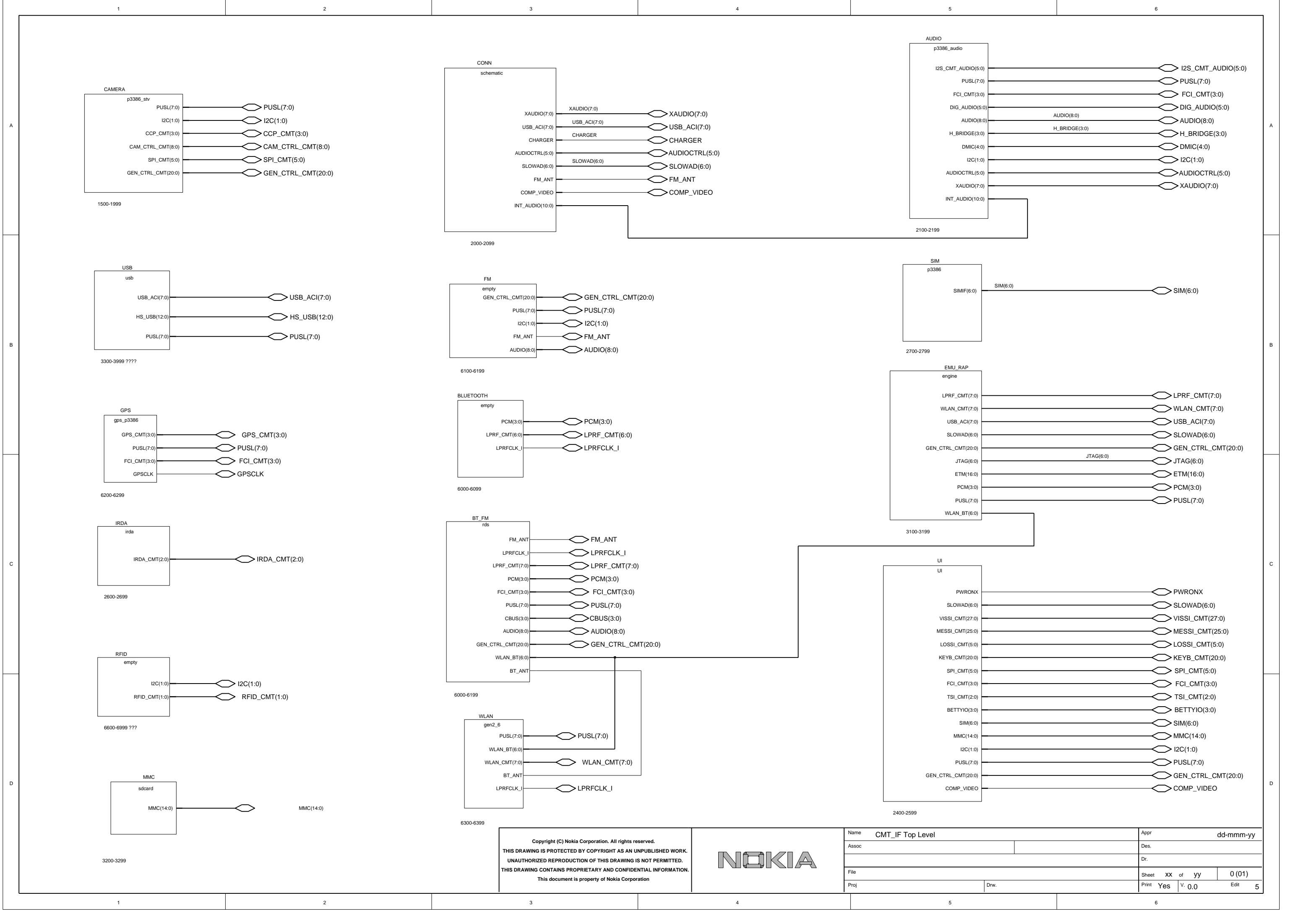
Name	BB Top Level	Appr	dd-mmm-yy
Assoc	Build B 1.0	Des.	
File		Dr.	
Proj	Drw.	Sheet xx of yy	0 (01)
		Print Yes	v. 02 Edit 4



Copyright (C) Nokia Corporation. All rights reserved.
 THIS DRAWING IS PROTECTED BY COPYRIGHT AS AN UNPUBLISHED WORK.
 UNAUTHORIZED REPRODUCTION OF THIS DRAWING IS NOT PERMITTED.
 THIS DRAWING CONTAINS PROPRIETARY AND CONFIDENTIAL INFORMATION.
 This document is property of Nokia Corporation



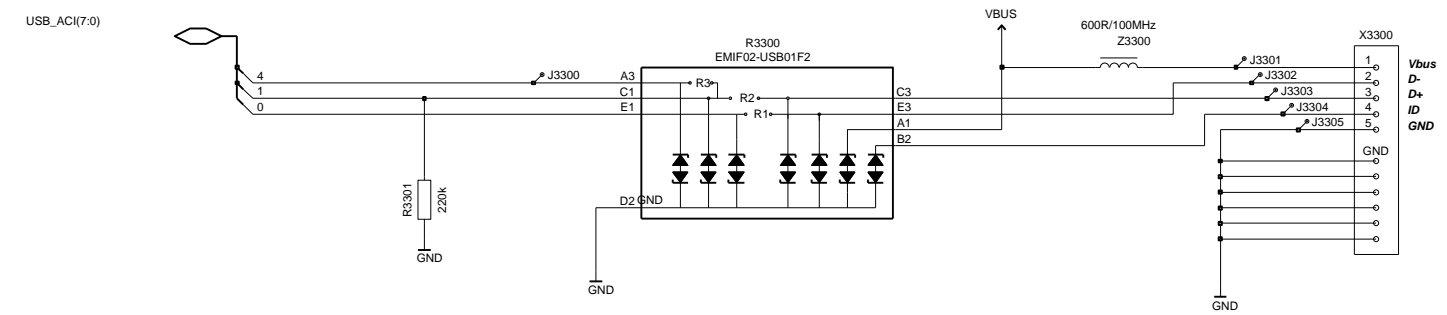
Name	Cellular Top Level		Appr	dd-mmm-yy	
Assoc			Des.		
File			Dr.		
Proj			Sheet	xx of yy	0 (01)
			Print	Yes	v. 0 Edit 4



Copyright (C) Nokia Corporation. All rights reserved.
THIS DRAWING IS PROTECTED BY COPYRIGHT AS AN UNPUBLISHED WORK.
UNAUTHORIZED REPRODUCTION OF THIS DRAWING IS NOT PERMITTED.
THIS DRAWING CONTAINS PROPRIETARY AND CONFIDENTIAL INFORMATION.
This document is property of Nokia Corporation



Name CMT_IF Top Level		Appr dd-mmm-yy	
Assoc		Des.	
File		Dr.	
Proj		Sheet xx of yy	0 (01)
Print Yes		V. 0,0	Edit 5



USB_ACI(7:0)

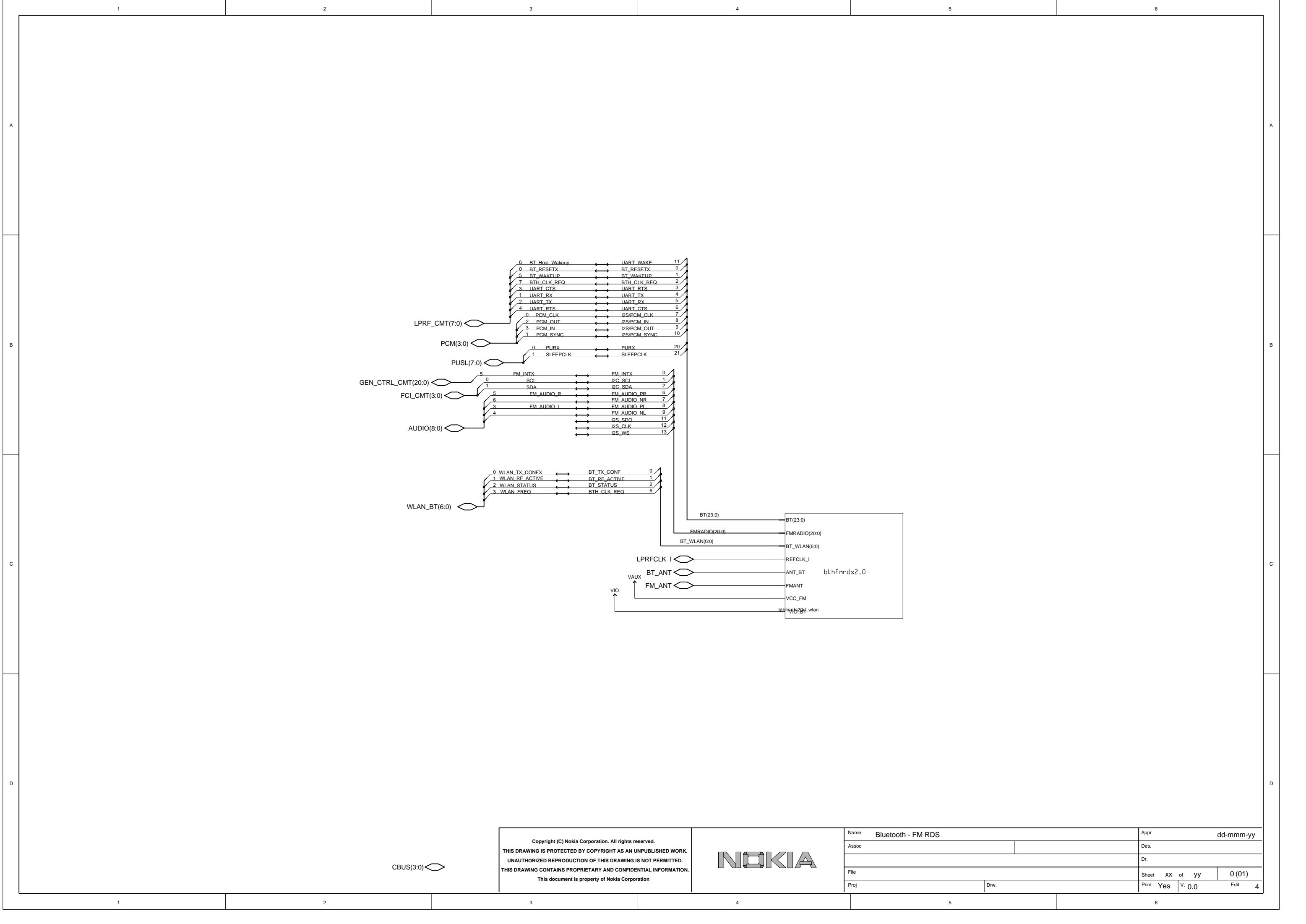
HS_USB(12:0)

PUSL(7:0)

Copyright (C) Nokia Corporation. All rights reserved.
 THIS DRAWING IS PROTECTED BY COPYRIGHT AS AN UNPUBLISHED WORK.
 UNAUTHORIZED REPRODUCTION OF THIS DRAWING IS NOT PERMITTED.
 THIS DRAWING CONTAINS PROPRIETARY AND CONFIDENTIAL INFORMATION.
 This document is property of Nokia Corporation



Name	Standard USB	Appr	dd-mmm-yy
Assoc		Des.	
File		Dr.	
Proj		Sheet xx of yy	0 (01)
	Print Yes	v. 0.0	Edit 5

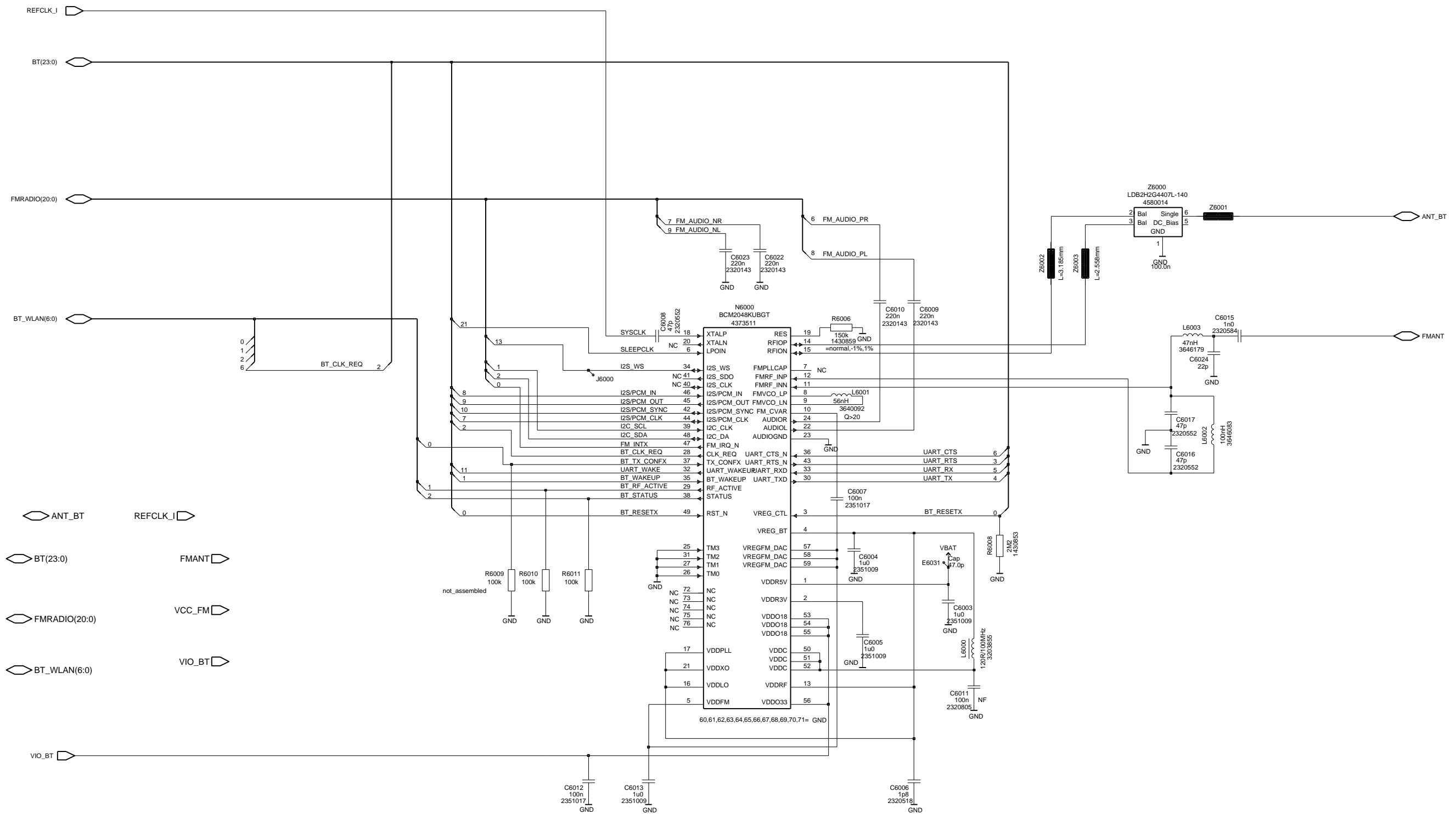


Copyright (C) Nokia Corporation. All rights reserved.
 THIS DRAWING IS PROTECTED BY COPYRIGHT AS AN UNPUBLISHED WORK.
 UNAUTHORIZED REPRODUCTION OF THIS DRAWING IS NOT PERMITTED.
 THIS DRAWING CONTAINS PROPRIETARY AND CONFIDENTIAL INFORMATION.
 This document is property of Nokia Corporation



Name	Bluetooth - FM RDS		Appr	dd-mmm-yy
Assoc			Des.	
File			Dr.	
Proj	Draw.		Sheet xx of yy	0 (01)
	Print Yes	V. 0.0	Edit	4

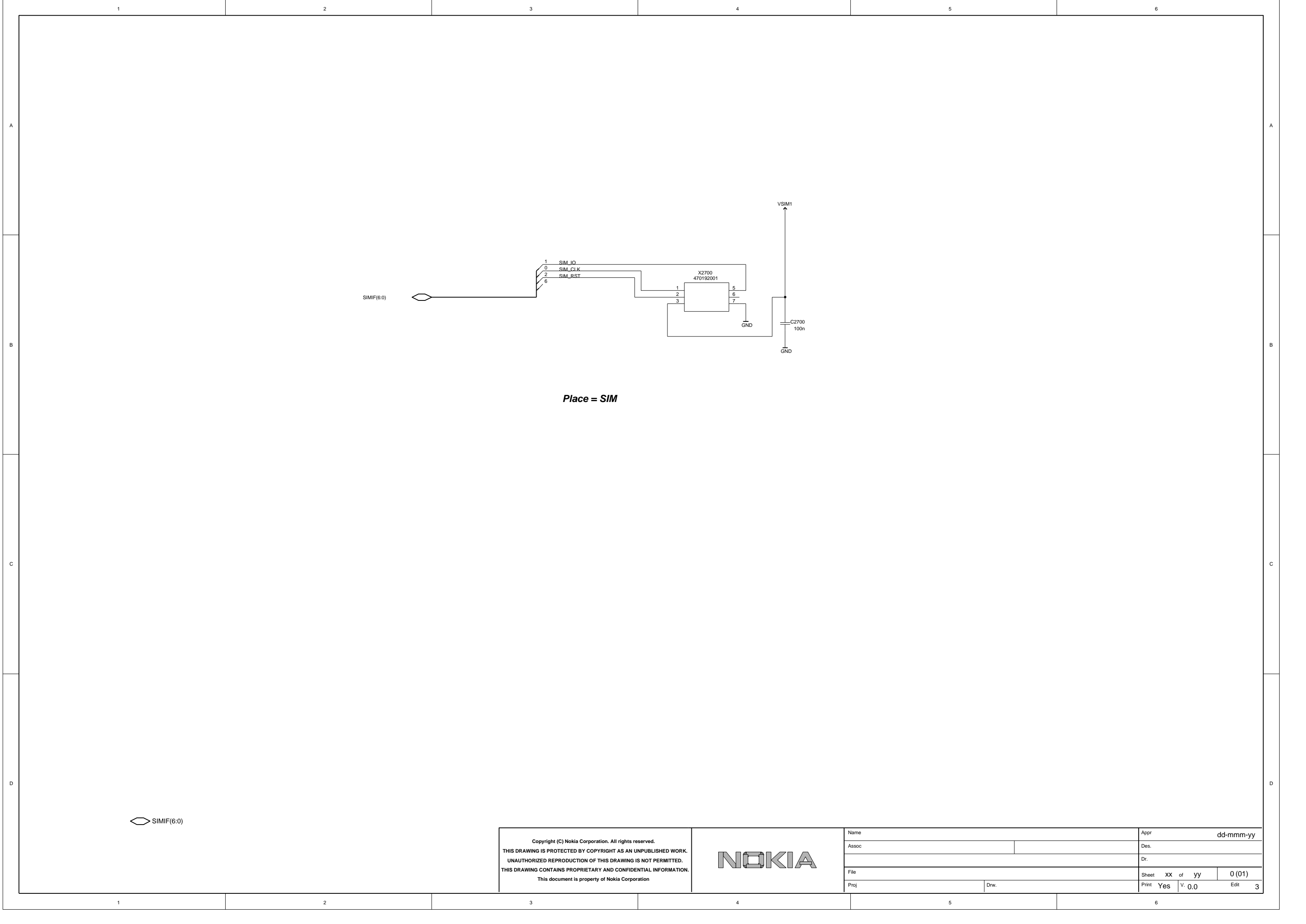
BLUETOOTH & FM RADIO DISCRETE



Notes.

- 1) 3k3 Pull-up Resistors are required on I2C_SCL & I2C_SDA
- 2) Additional test components fo phone wing boards are given in BTHfmrds2.0_Test Schematic
- 3) E6033 will be used in future release for 1.8V operation.
- 4) A pull down is required on the CLK_REQ signal (see release note).

Copyright (C) Nokia Corporation. All rights reserved. THIS DRAWING IS PROTECTED BY COPYRIGHT AS AN UNPUBLISHED WORK. UNAUTHORIZED REPRODUCTION OF THIS DRAWING IS NOT PERMITTED. THIS DRAWING CONTAINS PROPRIETARY AND CONFIDENTIAL INFORMATION. This document is property of Nokia Corporation				Name: bthfmrds_2_0D		Appr: dd-mmm-yy	
Assoc:		Des:		Dr:		File:	
Proj:		Print Yes		V. 0,0		Sheet xx of yy 0 (01)	
		Edit 12					



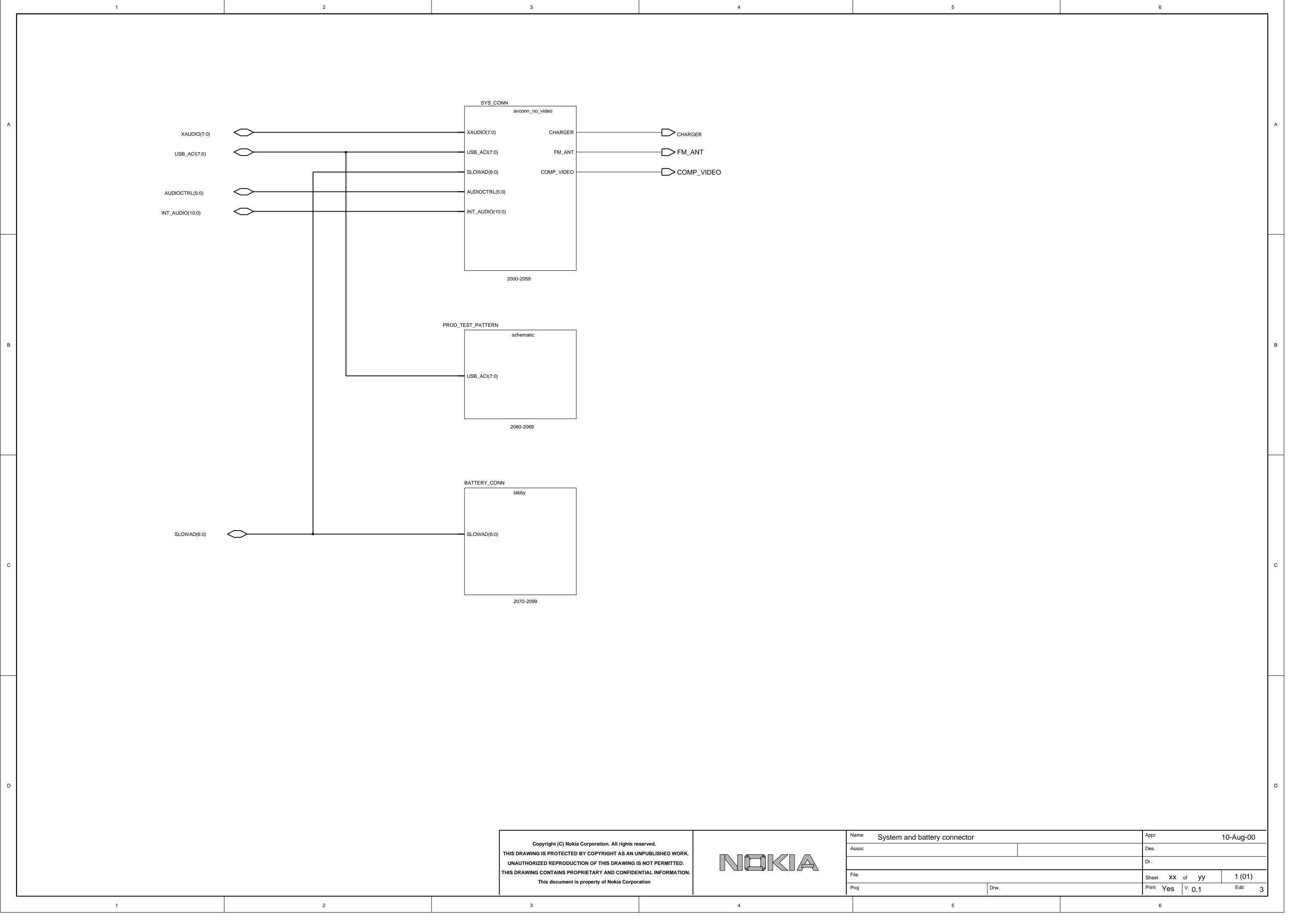
Place = SIM

SIMIF(6:0)

Copyright (C) Nokia Corporation. All rights reserved.
 THIS DRAWING IS PROTECTED BY COPYRIGHT AS AN UNPUBLISHED WORK.
 UNAUTHORIZED REPRODUCTION OF THIS DRAWING IS NOT PERMITTED.
 THIS DRAWING CONTAINS PROPRIETARY AND CONFIDENTIAL INFORMATION.
 This document is property of Nokia Corporation



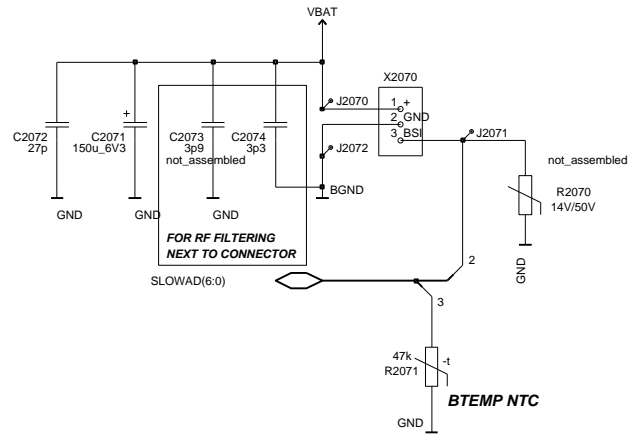
Name	Appr	dd-mmm-yy
Assoc	Des.	
File	Dr.	
Proj	Sheet xx of yy	0 (01)
Draw.	Print Yes	v. 0.0 Edit 3



Copyright (C) Nokia Corporation. All rights reserved.
 THIS DRAWING IS PROTECTED BY COPYRIGHT AS AN UNPUBLISHED WORK.
 UNAUTHORIZED REPRODUCTION OF THIS DRAWING IS NOT PERMITTED.
 THIS DRAWING CONTAINS PROPRIETARY AND CONFIDENTIAL INFORMATION.
 This document is property of Nokia Corporation



Name	System and battery connector		Appr	10-Aug-00	
Assoc			Des.		
File			Dr.		
Proj			Sheet	xx of yy	1 (01)
			Print	Yes	V. 0,1 Edit 3

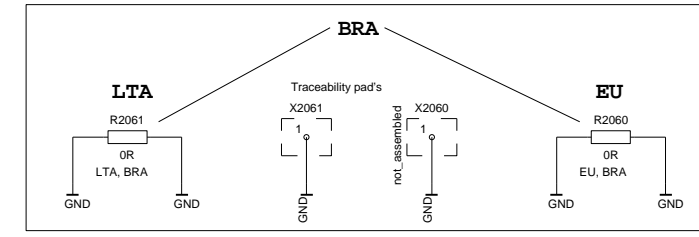


Copyright (C) Nokia Corporation. All rights reserved.
 THIS DRAWING IS PROTECTED BY COPYRIGHT AS AN UNPUBLISHED WORK.
 UNAUTHORIZED REPRODUCTION OF THIS DRAWING IS NOT PERMITTED.
 THIS DRAWING CONTAINS PROPRIETARY AND CONFIDENTIAL INFORMATION.
 This document is property of Nokia Corporation

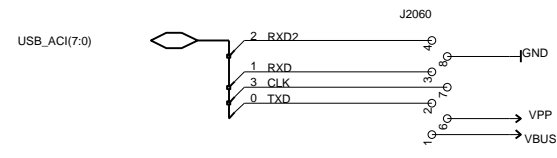


Name		Battery Connector		Appr		10-Aug-00	
Assoc		BUILD B1.0		Des.			
File				Dr.			
Proj		Drw.		Sheet XX of yy		1 (01)	
				Print Yes		v. 02 Edit 9	

FOR VARIANT IDENTIFICATION



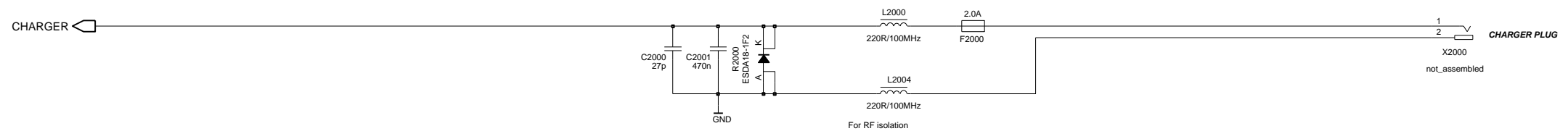
BB5.0 have defined 7-pin test pad pattern



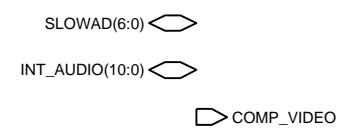
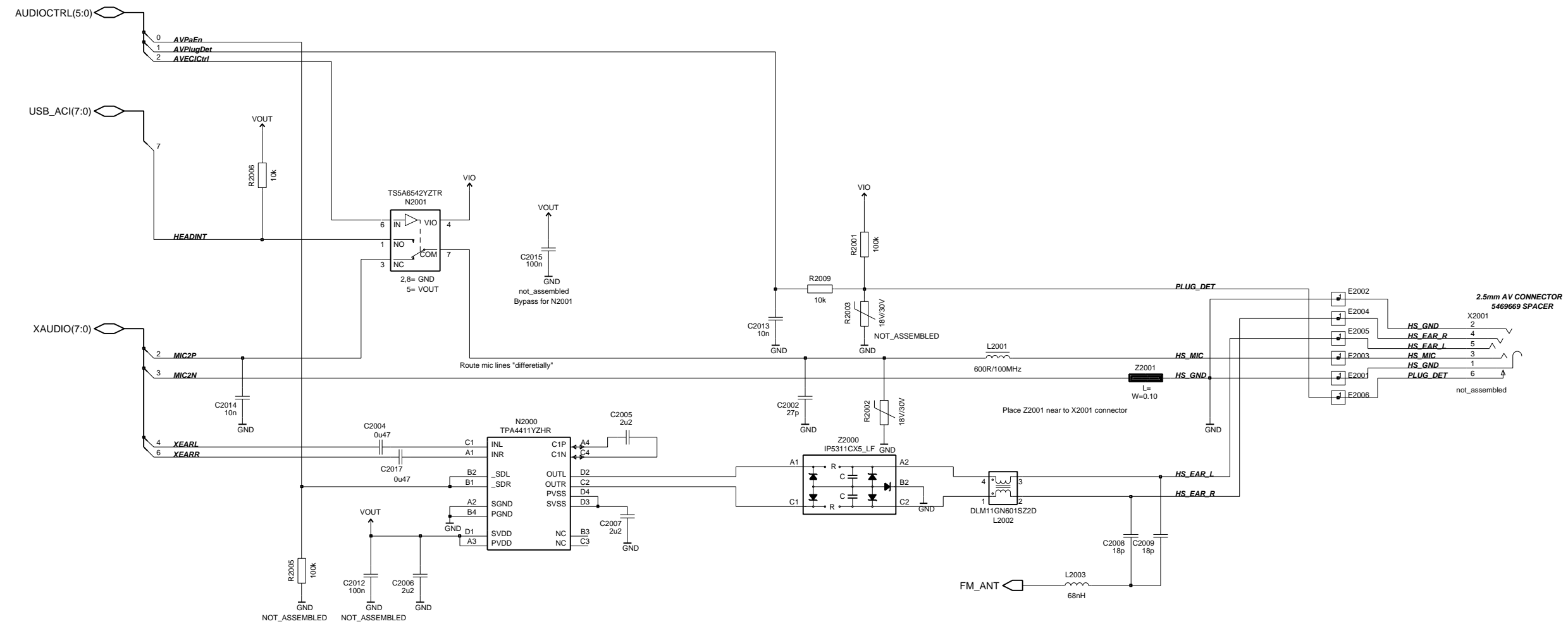
Copyright (C) Nokia Corporation. All rights reserved.
 THIS DRAWING IS PROTECTED BY COPYRIGHT AS AN UNPUBLISHED WORK.
 UNAUTHORIZED REPRODUCTION OF THIS DRAWING IS NOT PERMITTED.
 THIS DRAWING CONTAINS PROPRIETARY AND CONFIDENTIAL INFORMATION.
 This document is property of Nokia Corporation



Name	Production test pad	Appr	10-Aug-00
Assoc		Des.	
File		Dr.	
Proj		Sheet	xx of yy
		Print	Yes
		V.	0,1
		Edit	21



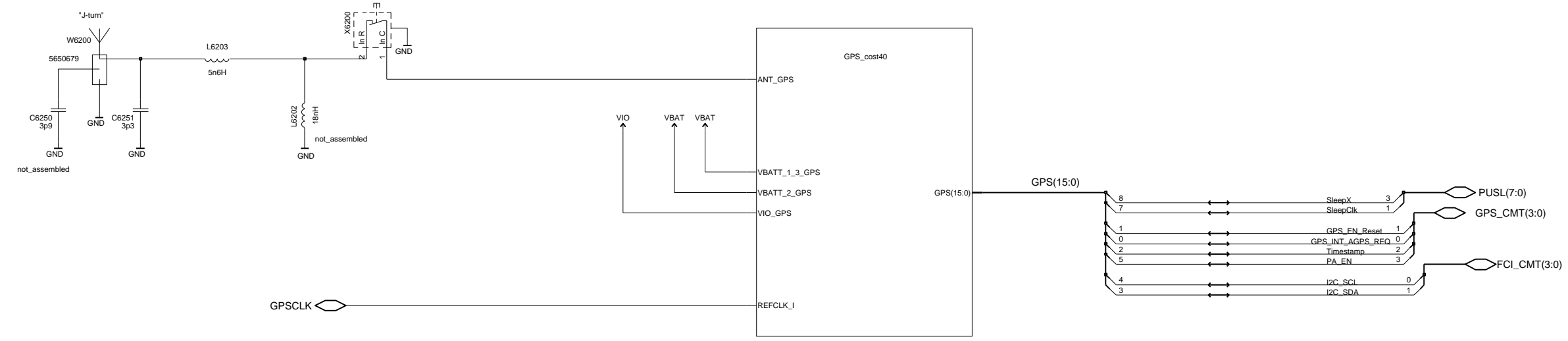
NOTE: This sheet requires AVILMA with external 2k bias resistor in VILMA sheet



Copyright (C) Nokia Corporation. All rights reserved.
 THIS DRAWING IS PROTECTED BY COPYRIGHT AS AN UNPUBLISHED WORK.
 UNAUTHORIZED REPRODUCTION OF THIS DRAWING IS NOT PERMITTED.
 THIS DRAWING CONTAINS PROPRIETARY AND CONFIDENTIAL INFORMATION.
 This document is property of Nokia Corporation



Name	AV connector	Appr	dd-mmm-yy
Assoc		Des.	
File		Dr.	
Proj		Sheet xx of yy	0 (01)
		Print Yes	v. 0,0 Edit 16



GPS_CMT(3:0)

PUSL(7:0)

Test pad	Needed	Optional
J6200 GPS_EN_RESET	X	X
J6201 GPS_INT	X	X
J6202 IO_TIMESTAMP_DATARDY	X	X
J6203 GPS_PA_EN	X	X

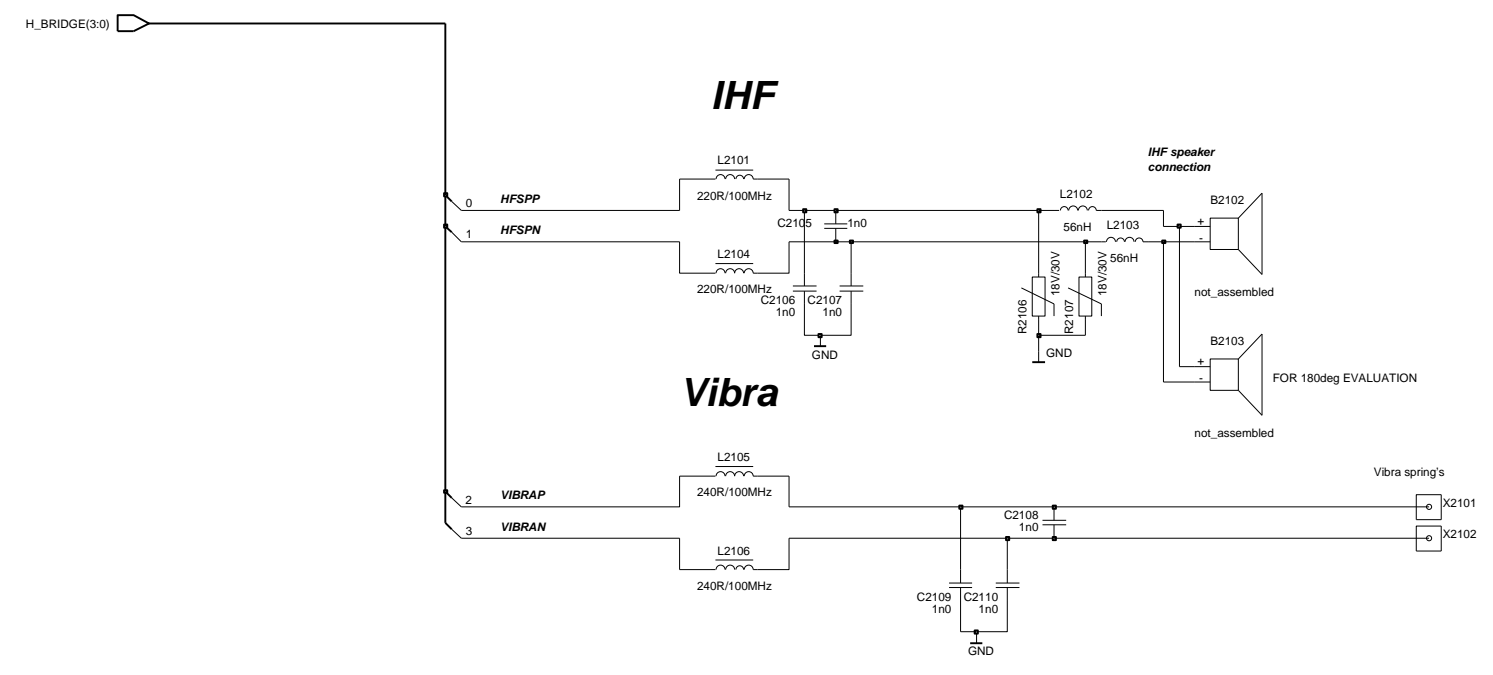
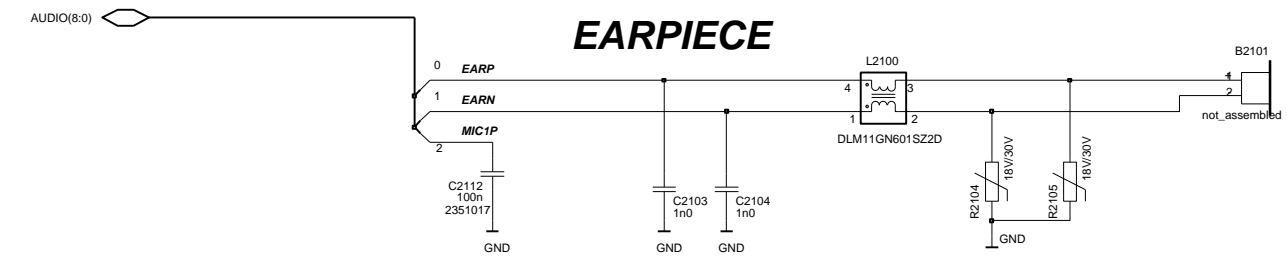
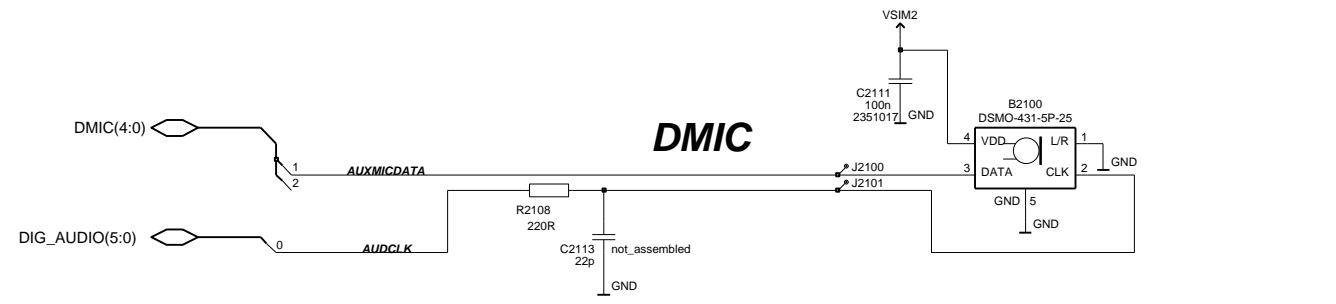
FCI_CMT(3:0)

GPSCLK

Copyright (C) Nokia Corporation. All rights reserved.
 THIS DRAWING IS PROTECTED BY COPYRIGHT AS AN UNPUBLISHED WORK.
 UNAUTHORIZED REPRODUCTION OF THIS DRAWING IS NOT PERMITTED.
 THIS DRAWING CONTAINS PROPRIETARY AND CONFIDENTIAL INFORMATION.
 This document is property of Nokia Corporation



Name	GPS	Appr	dd-mmm-yy
Assoc		Des.	
File		Dr.	
Proj		Sheet xx of yy	0 (01)
		Print Yes	v. 0,0 Edit 28



INT_AUDIO(10:0)

I2S_CMT_AUDIO(5:0)

PUSL(7:0)

FCL_CMT(3:0)

I2C(1:0)

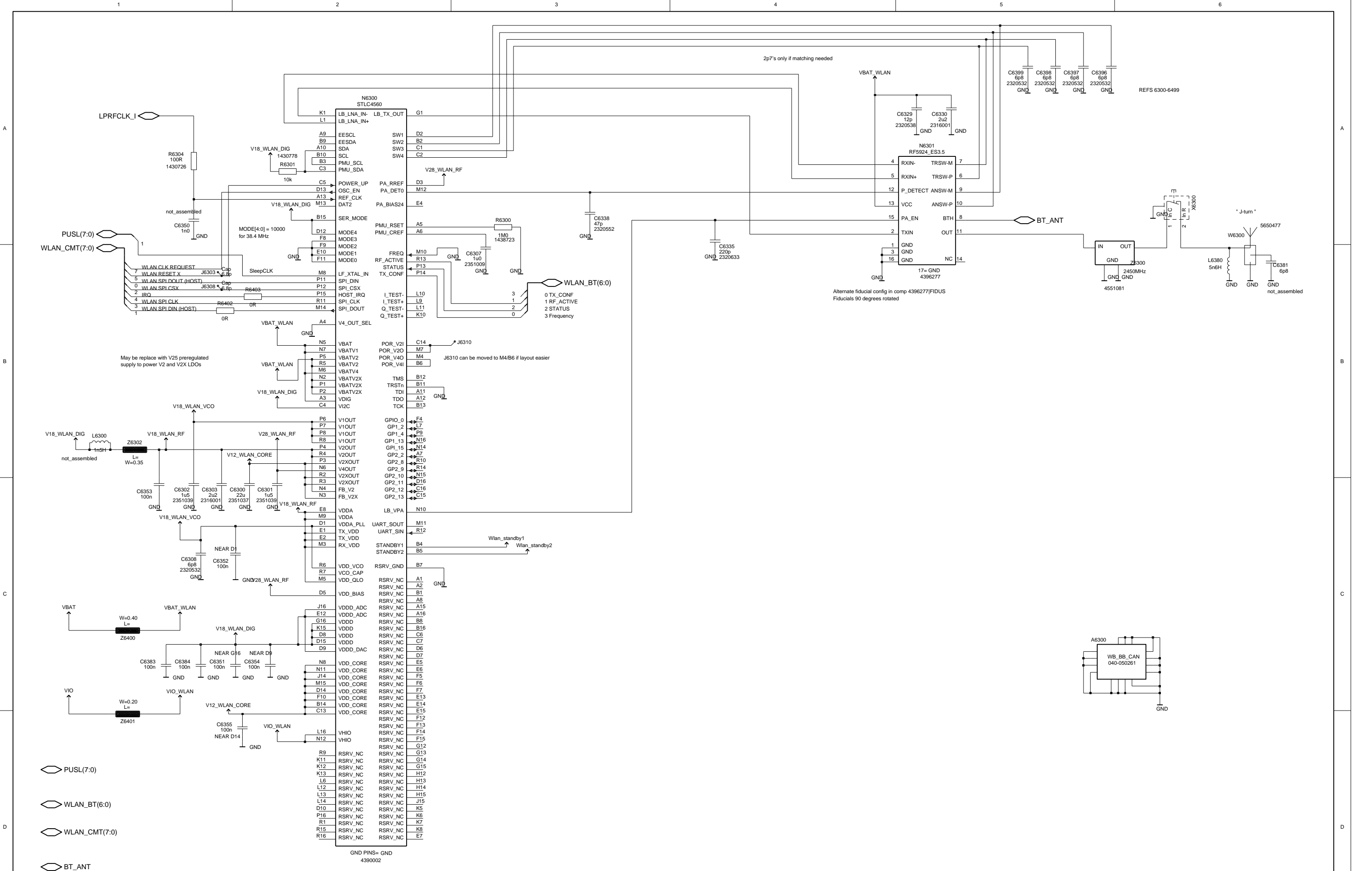
AUDIOCTRL(5:0)

XAUDIO(7:0)

Copyright (C) Nokia Corporation. All rights reserved.
 THIS DRAWING IS PROTECTED BY COPYRIGHT AS AN UNPUBLISHED WORK.
 UNAUTHORIZED REPRODUCTION OF THIS DRAWING IS NOT PERMITTED.
 THIS DRAWING CONTAINS PROPRIETARY AND CONFIDENTIAL INFORMATION.
 This document is property of Nokia Corporation



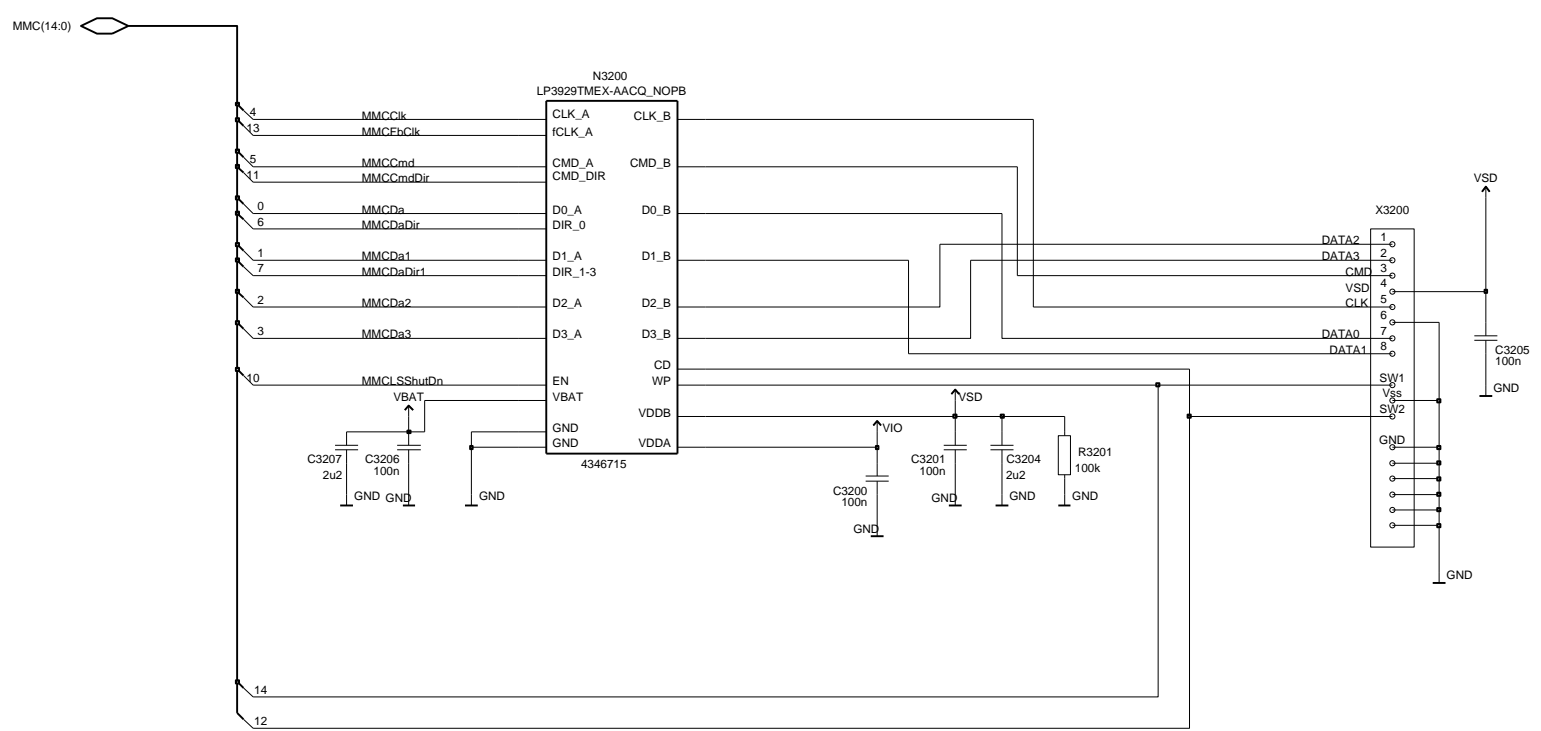
Name			Appr	dd-mmm-yy
Assoc			Des.	
File			Dr.	
Proj	Drw.		Sheet xx of yy	0 (01)
			Print Yes	V. 0,0 Edit 12



Copyright (C) Nokia Corporation. All rights reserved.
 THIS DRAWING IS PROTECTED BY COPYRIGHT AS AN UNPUBLISHED WORK.
 UNAUTHORIZED REPRODUCTION OF THIS DRAWING IS NOT PERMITTED.
 THIS DRAWING CONTAINS PROPRIETARY AND CONFIDENTIAL INFORMATION.
 This document is property of Nokia Corporation



Name	wlan_2_6	Appr	dd-mmm-yy
Assoc		Des.	
File		Dr.	
Proj		Sheet	xx of yy
		Print	Yes
		V.	0,0
		Edit	13



Copyright (C) Nokia Corporation. All rights reserved.
 THIS DRAWING IS PROTECTED BY COPYRIGHT AS AN UNPUBLISHED WORK.
 UNAUTHORIZED REPRODUCTION OF THIS DRAWING IS NOT PERMITTED.
 THIS DRAWING CONTAINS PROPRIETARY AND CONFIDENTIAL INFORMATION.
 This document is property of Nokia Corporation



Name	SD card	Appr	dd-mmm-yy
Assoc		Des.	
File		Dr.	
Proj		Sheet xx of yy	0 (01)
	Draw.	Print Yes	v. 0.0 Edit 4

A

B

C

D

A

B

C

D

I2C(1:0)

CCP_CMT(3:0)

CAM_CTRL_CMT(8:0)

Place these near RAPIDO

Place these near to STV

B2B for Camera Flex

PUSL(7:0)

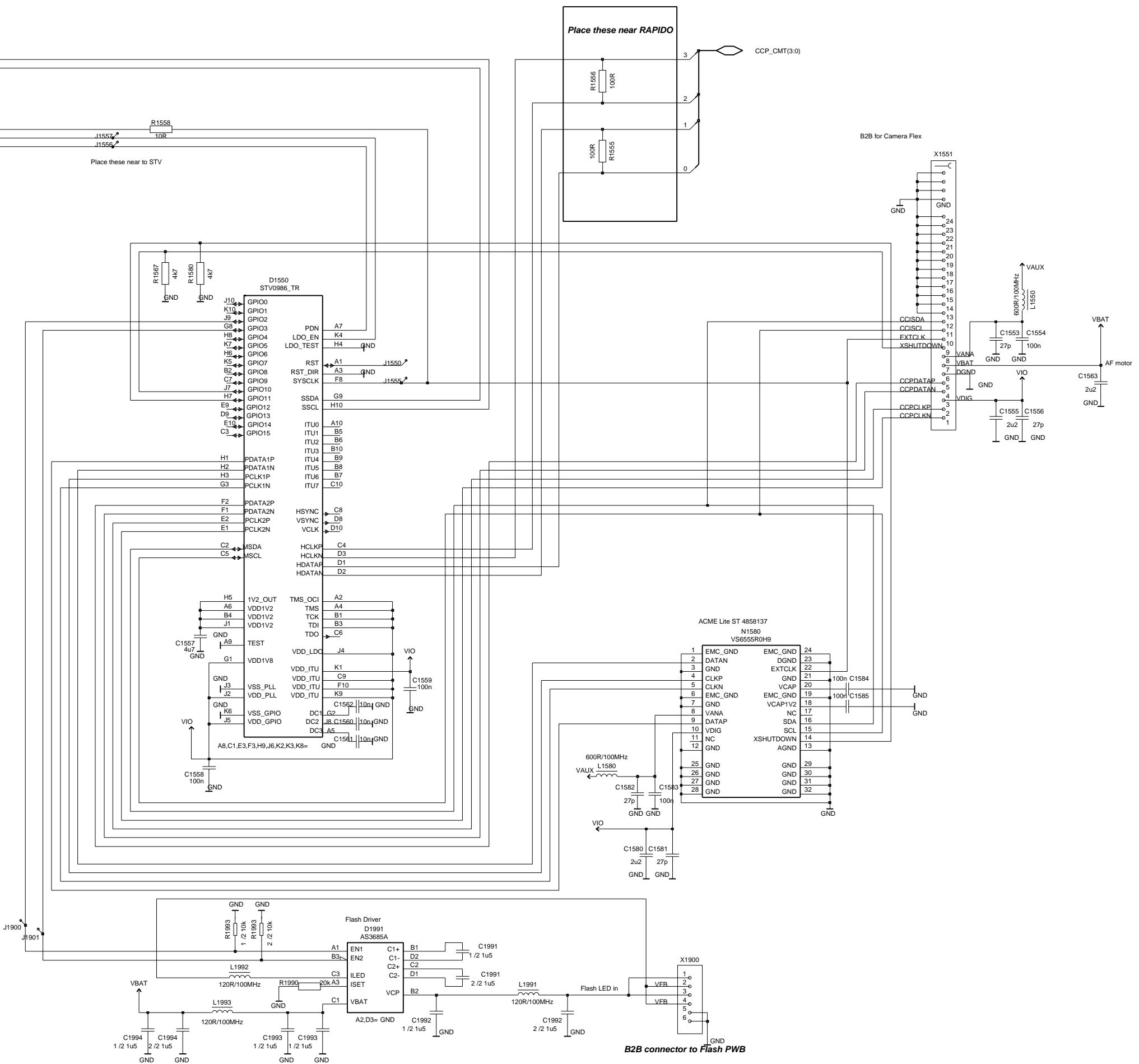
I2C(1:0)

CCP_CMT(3:0)

CAM_CTRL_CMT(8:0)

SPI_CMT(5:0)

GEN_CTRL_CMT(20:0)

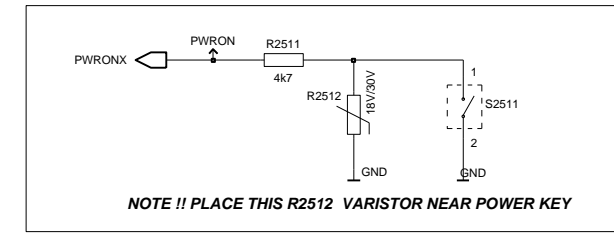


Copyright (C) Nokia Corporation. All rights reserved.
 THIS DRAWING IS PROTECTED BY COPYRIGHT AS AN UNPUBLISHED WORK.
 UNAUTHORIZED REPRODUCTION OF THIS DRAWING IS NOT PERMITTED.
 THIS DRAWING CONTAINS PROPRIETARY AND CONFIDENTIAL INFORMATION.
 This document is property of Nokia Corporation

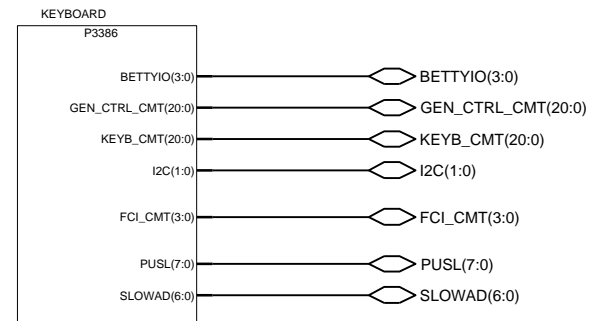
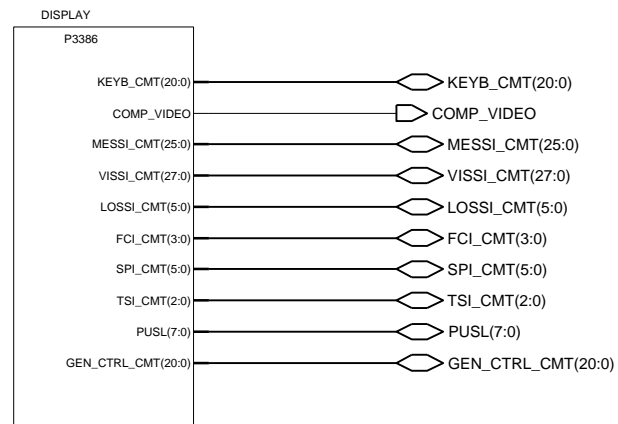
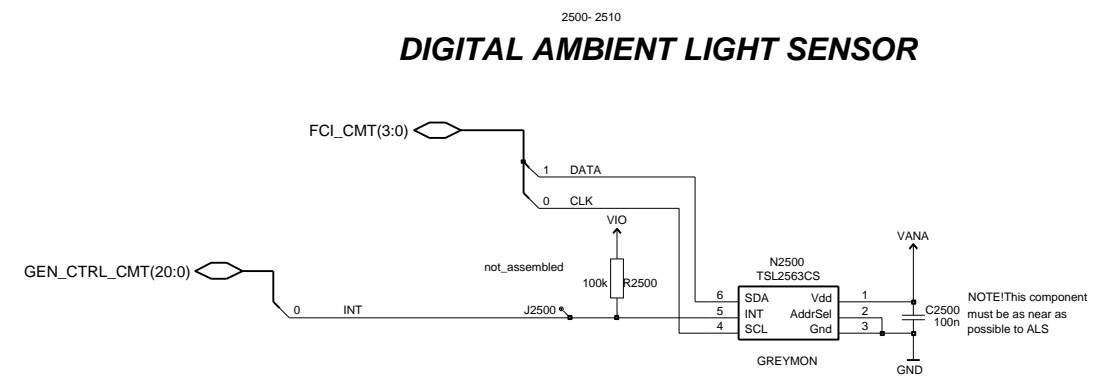


Name			Appr	dd-mmm-yy
Assoc			Des.	
File			Dr.	
Proj	Draw.		Sheet xx of yy	0 (01)
			Print Yes	V. 0.0 Edit 52

Power key



DIGITAL AMBIENT LIGHT SENSOR



2520-2599

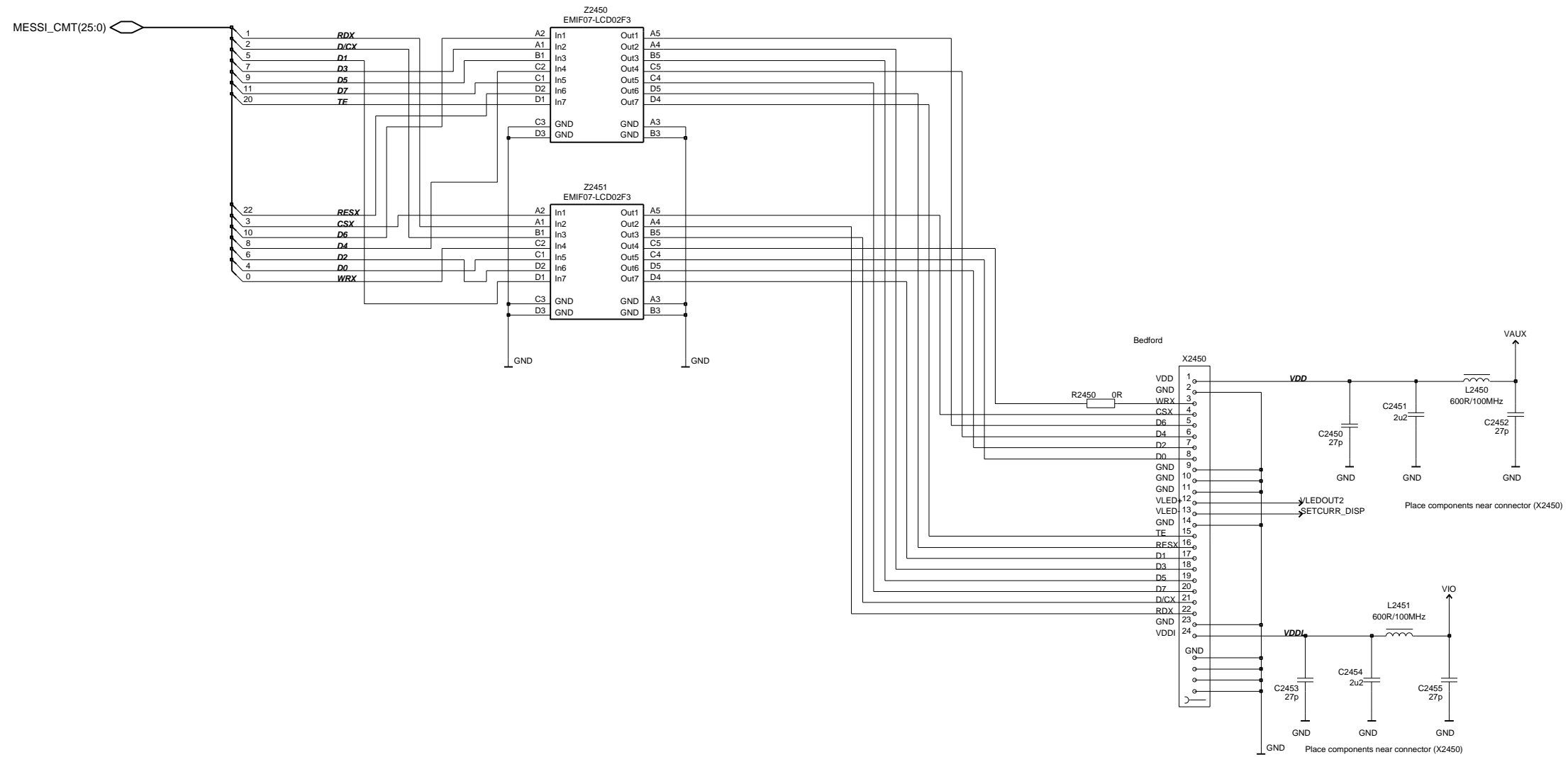
2450-2500

- SLOWAD(6:0)
- SIM(6:0)
- MMC(14:0)

Copyright (C) Nokia Corporation. All rights reserved.
 THIS DRAWING IS PROTECTED BY COPYRIGHT AS AN UNPUBLISHED WORK.
 UNAUTHORIZED REPRODUCTION OF THIS DRAWING IS NOT PERMITTED.
 THIS DRAWING CONTAINS PROPRIETARY AND CONFIDENTIAL INFORMATION.
 This document is property of Nokia Corporation



Name	UI parts	Appr	dd-mmm-yy
Assoc		Des.	
File		Dr.	
Proj		Sheet xx of yy	0 (01)
	Print Yes	v. 0,0	Edit 10



- ⬡ KEYB_CMT(20:0)
- ⬡ COMP_VIDEO
- ⬡ MESSI_CMT(25:0)
- ⬡ VISSI_CMT(27:0)
- ⬡ LOSSI_CMT(5:0)
- ⬡ FCI_CMT(3:0)
- ⬡ SPI_CMT(5:0)
- ⬡ TSI_CMT(2:0)
- ⬡ PUSL(7:0)
- ⬡ GEN_CTRL_CMT(20:0)

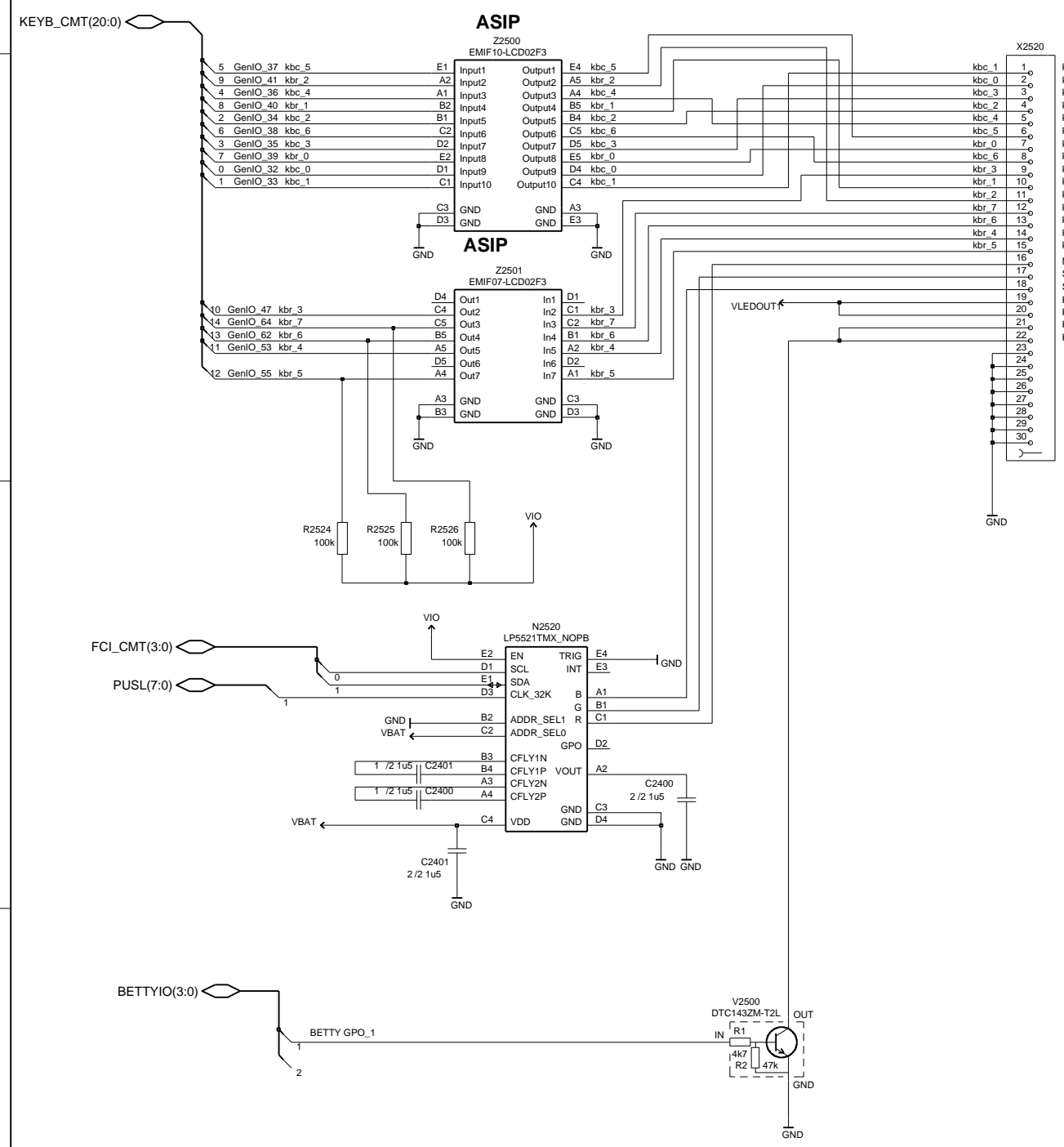
Copyright (C) Nokia Corporation. All rights reserved.
 THIS DRAWING IS PROTECTED BY COPYRIGHT AS AN UNPUBLISHED WORK.
 UNAUTHORIZED REPRODUCTION OF THIS DRAWING IS NOT PERMITTED.
 THIS DRAWING CONTAINS PROPRIETARY AND CONFIDENTIAL INFORMATION.
 This document is property of Nokia Corporation



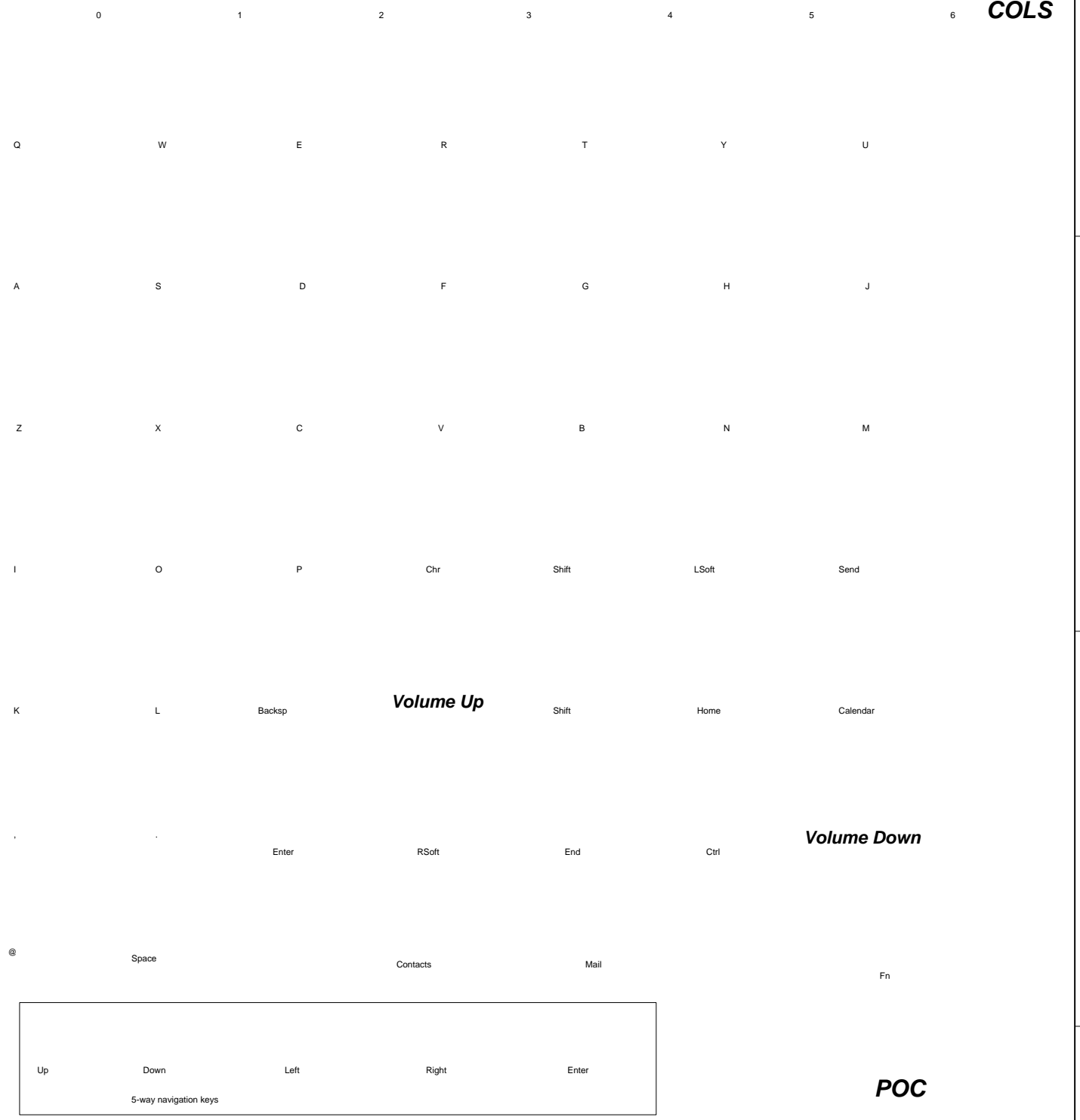
Name	display	Appr	dd-mmm-yy
Assoc		Des.	
File		Dr.	
Proj		Sheet xx of yy	0 (01)
		Print Yes	V. 0,0 Edit 8

- I2C(1:0)
- KEYB_CMT(20:0)
- KEYB_CMT(20:0)
- GEN_CTRL_CMT(20:0)

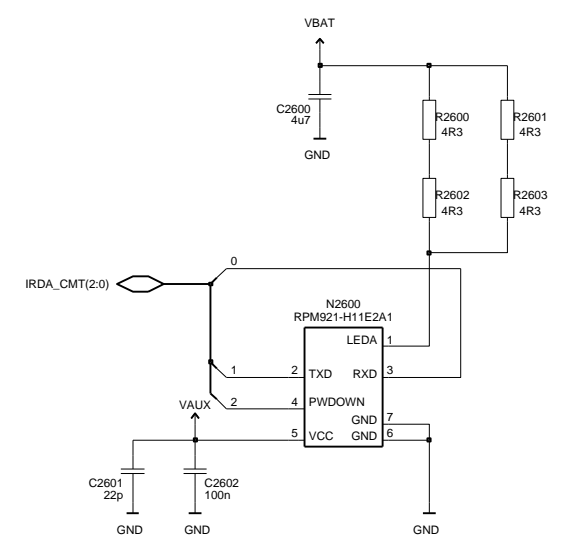
COLS



ROWS



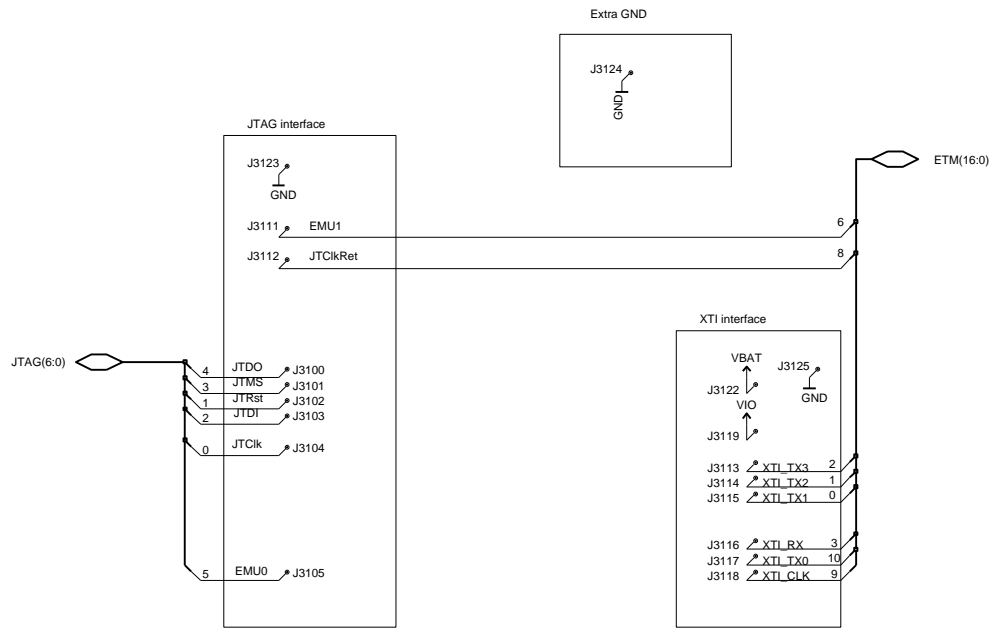
Copyright (C) Nokia Corporation. All rights reserved. THIS DRAWING IS PROTECTED BY COPYRIGHT AS AN UNPUBLISHED WORK. UNAUTHORIZED REPRODUCTION OF THIS DRAWING IS NOT PERMITTED. THIS DRAWING CONTAINS PROPRIETARY AND CONFIDENTIAL INFORMATION. This document is property of Nokia Corporation				Name dd-mmm-yy	
				Assoc Des.	
				Dr.	
				File Sheet XX of yy 0 (01)	
				Proj Print Yes v. 0,0 Edit 22	



Copyright (C) Nokia Corporation. All rights reserved.
 THIS DRAWING IS PROTECTED BY COPYRIGHT AS AN UNPUBLISHED WORK.
 UNAUTHORIZED REPRODUCTION OF THIS DRAWING IS NOT PERMITTED.
 THIS DRAWING CONTAINS PROPRIETARY AND CONFIDENTIAL INFORMATION.
 This document is property of Nokia Corporation



Name	IRDA	Appr	dd-mmm-yy
Assoc		Des.	
File		Dr.	
Proj		Sheet xx of yy	0 (01)
	Draw.	Print Yes	v. 0.0 Edit 4

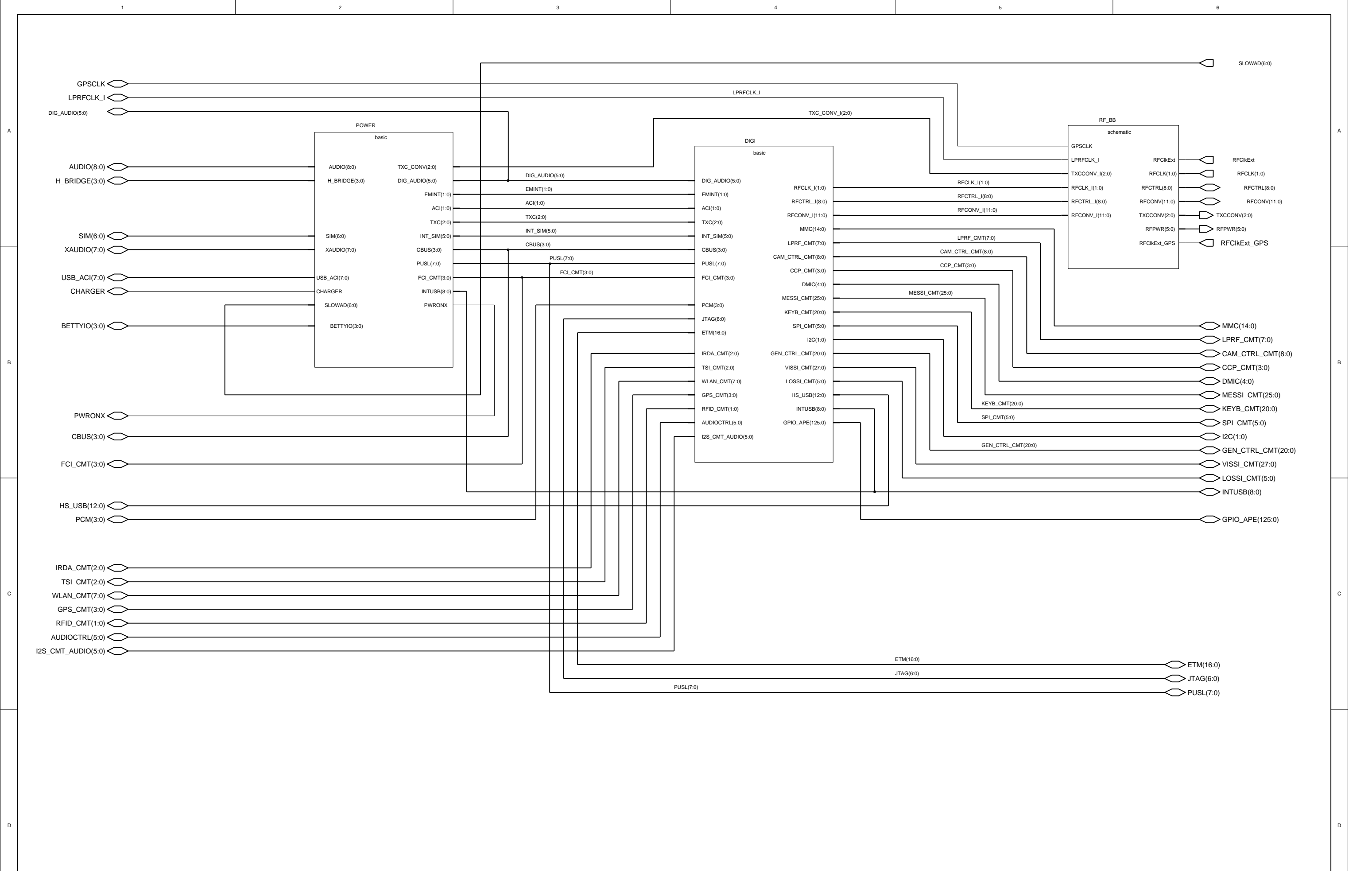


- ◊ LPRF_CMT(7:0)
- ◊ WLAN_CMT(7:0)
- ◊ USB_AC(7:0)
- ◊ SLOWAD(6:0)
- ◊ GEN_CTRL_CMT(20:0)
- ◊ JTAG(6:0)
- ◊ ETM(16:0)
- ◊ PCM(3:0)
- ◊ PUSL(7:0)
- ◊ WLAN_BT(6:0)

Copyright (C) Nokia Corporation. All rights reserved.
 THIS DRAWING IS PROTECTED BY COPYRIGHT AS AN UNPUBLISHED WORK.
 UNAUTHORIZED REPRODUCTION OF THIS DRAWING IS NOT PERMITTED.
 THIS DRAWING CONTAINS PROPRIETARY AND CONFIDENTIAL INFORMATION.
 This document is property of Nokia Corporation



Name	emu engine	Appr	dd-mmm-yy
Assoc		Des.	
File		Dr.	
Proj		Sheet xx of yy	0 (01)
	Print Yes	v. 0,0	Edit 2



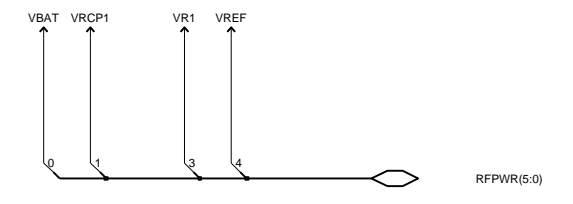
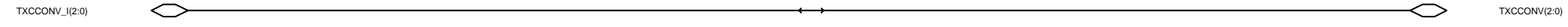
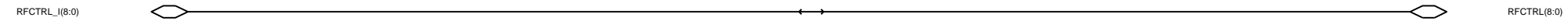
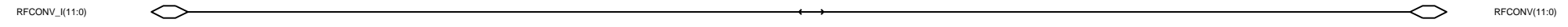
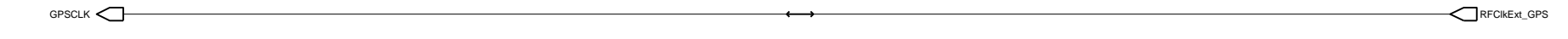
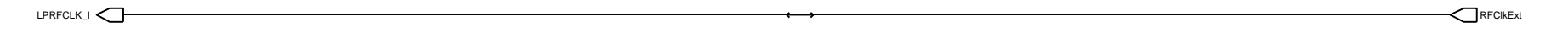
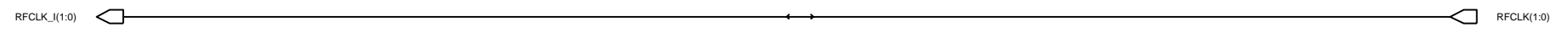
Copyright (C) Nokia Corporation. All rights reserved.
 THIS DRAWING IS PROTECTED BY COPYRIGHT AS AN UNPUBLISHED WORK.
 UNAUTHORIZED REPRODUCTION OF THIS DRAWING IS NOT PERMITTED.
 THIS DRAWING CONTAINS PROPRIETARY AND CONFIDENTIAL INFORMATION.
 This document is property of Nokia Corporation



Name CMT_Engine Top level		Appr dd-mmm-yy	
Assoc		Des.	
File		Dr.	
Proj		Sheet xx of yy	0 (01)
Print Yes		V. 0,0	Edit 4

CBB5X

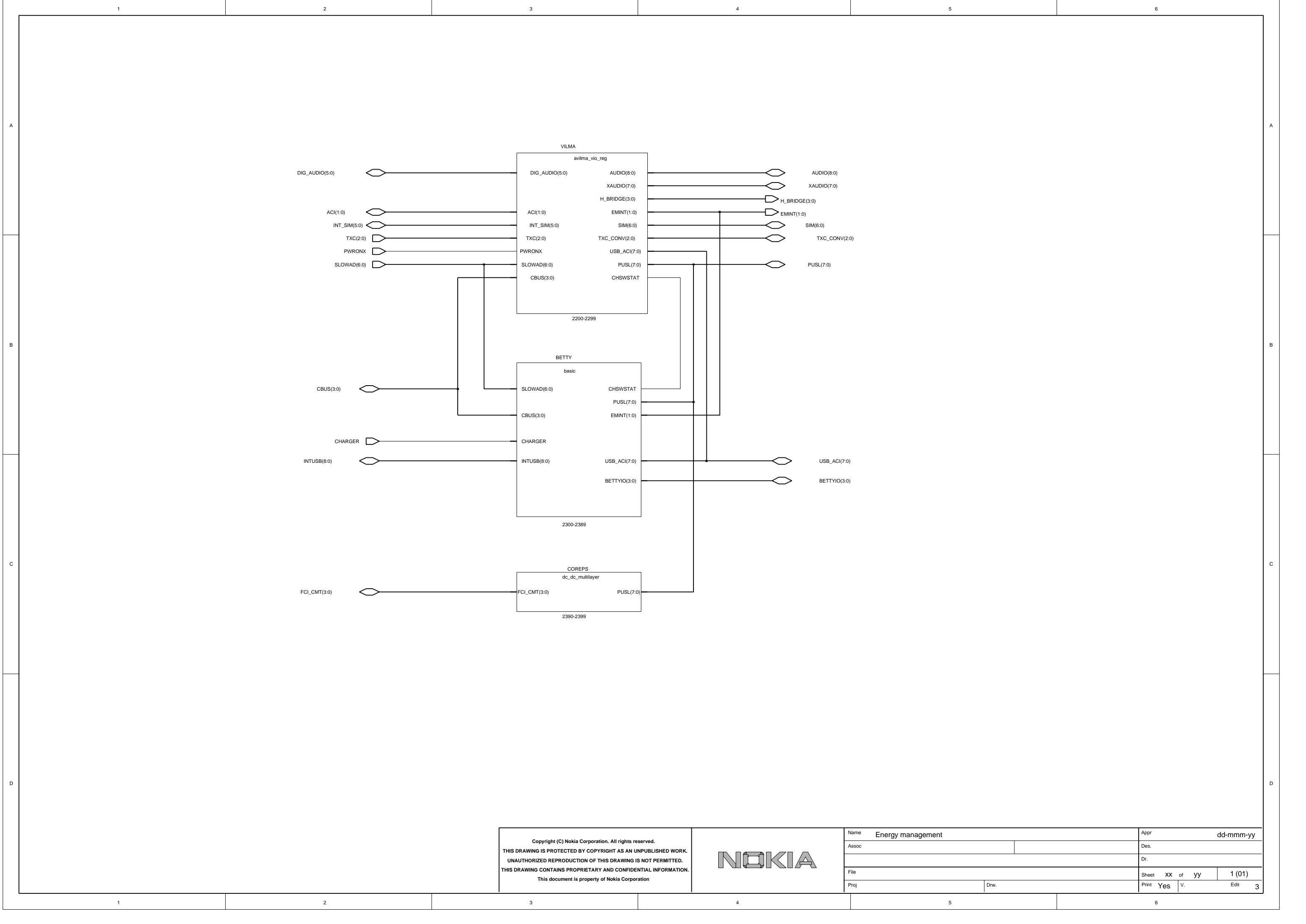
TOP SHEET



Copyright (C) Nokia Corporation. All rights reserved.
 THIS DRAWING IS PROTECTED BY COPYRIGHT AS AN UNPUBLISHED WORK.
 UNAUTHORIZED REPRODUCTION OF THIS DRAWING IS NOT PERMITTED.
 THIS DRAWING CONTAINS PROPRIETARY AND CONFIDENTIAL INFORMATION.
 This document is property of Nokia Corporation



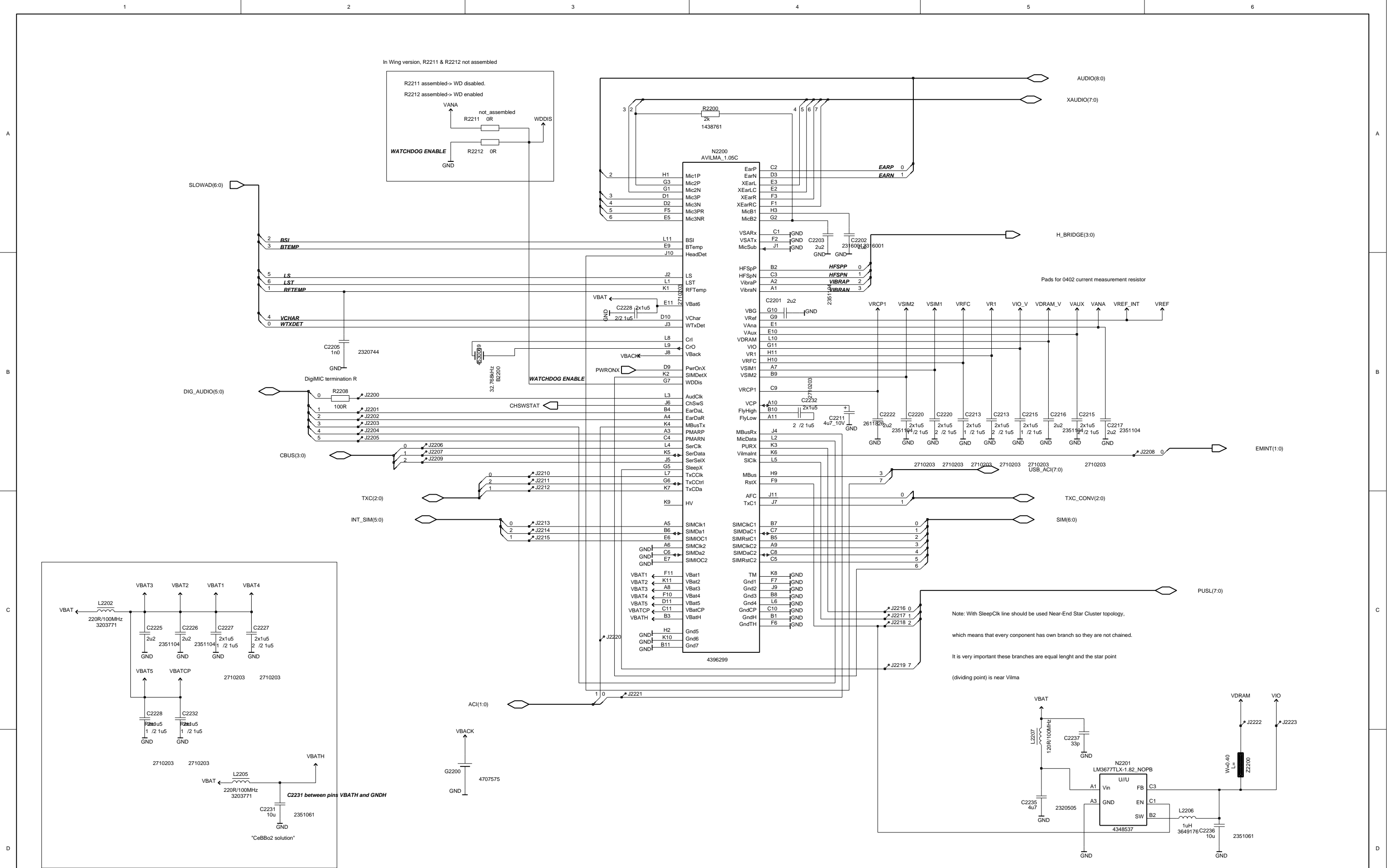
Name RF IF		Appr dd-mmm-yy	
Assoc		Des.	
File		Dr.	
Proj		Sheet xx of yy	0 (01)
Draw.		Print Yes v. 0	Edit 2



Copyright (C) Nokia Corporation. All rights reserved.
 THIS DRAWING IS PROTECTED BY COPYRIGHT AS AN UNPUBLISHED WORK.
 UNAUTHORIZED REPRODUCTION OF THIS DRAWING IS NOT PERMITTED.
 THIS DRAWING CONTAINS PROPRIETARY AND CONFIDENTIAL INFORMATION.
 This document is property of Nokia Corporation



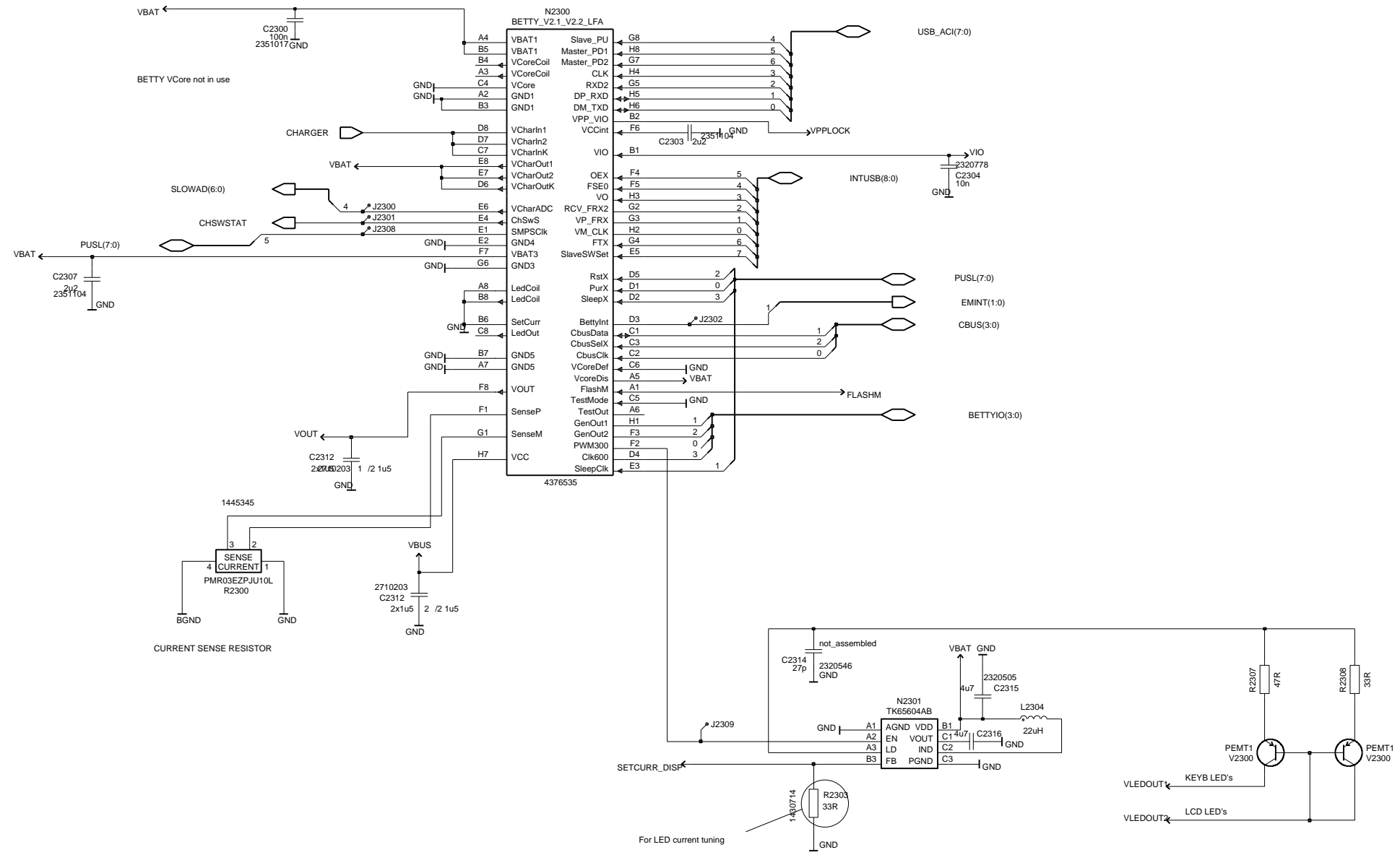
Name	Energy management	Appr	dd-mmm-yy
Assoc		Des.	
File		Dr.	
Proj		Sheet xx of yy	1 (01)
	Draw.	Print Yes v.	Edit 3



Copyright (C) Nokia Corporation. All rights reserved.
THIS DRAWING IS PROTECTED BY COPYRIGHT AS AN UNPUBLISHED WORK.
UNAUTHORIZED REPRODUCTION OF THIS DRAWING IS NOT PERMITTED.
THIS DRAWING CONTAINS PROPRIETARY AND CONFIDENTIAL INFORMATION.
This document is property of Nokia Corporation



Name	AVILMA + External Vio SMPS	Appr	dd-mmm-yy
Assoc		Des.	
File		Dr.	
Proj		Sheet	xx of yy
		Print	Yes v. 0.0
		Edit	15

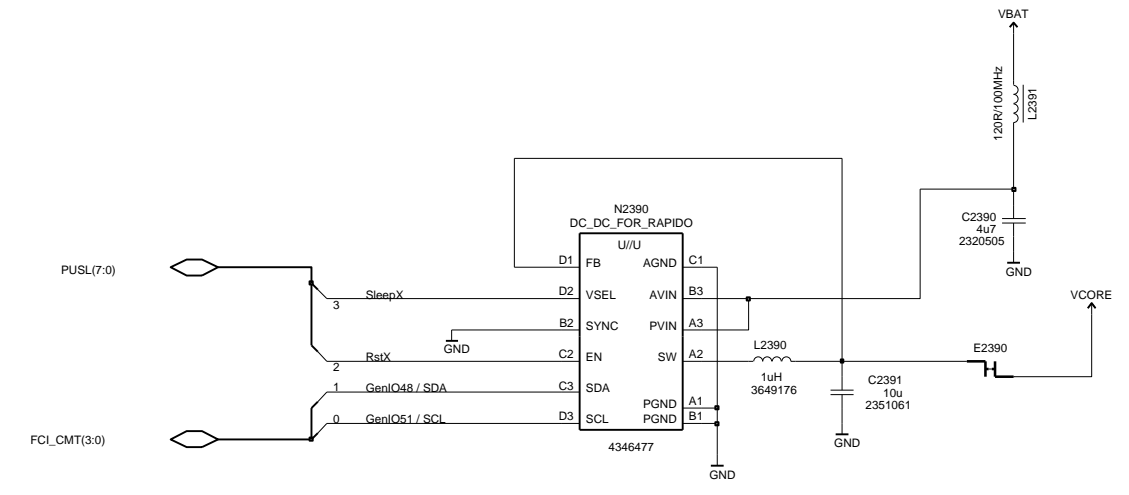


Copyright (C) Nokia Corporation. All rights reserved.
 THIS DRAWING IS PROTECTED BY COPYRIGHT AS AN UNPUBLISHED WORK.
 UNAUTHORIZED REPRODUCTION OF THIS DRAWING IS NOT PERMITTED.
 THIS DRAWING CONTAINS PROPRIETARY AND CONFIDENTIAL INFORMATION.
 This document is property of Nokia Corporation



Name	Betty	Appr	10-Aug-00
Assoc		Des.	
File		Dr.	
Proj		Sheet XX of yy	1 (01)
	Draw.	Print Yes	v. Edit 13

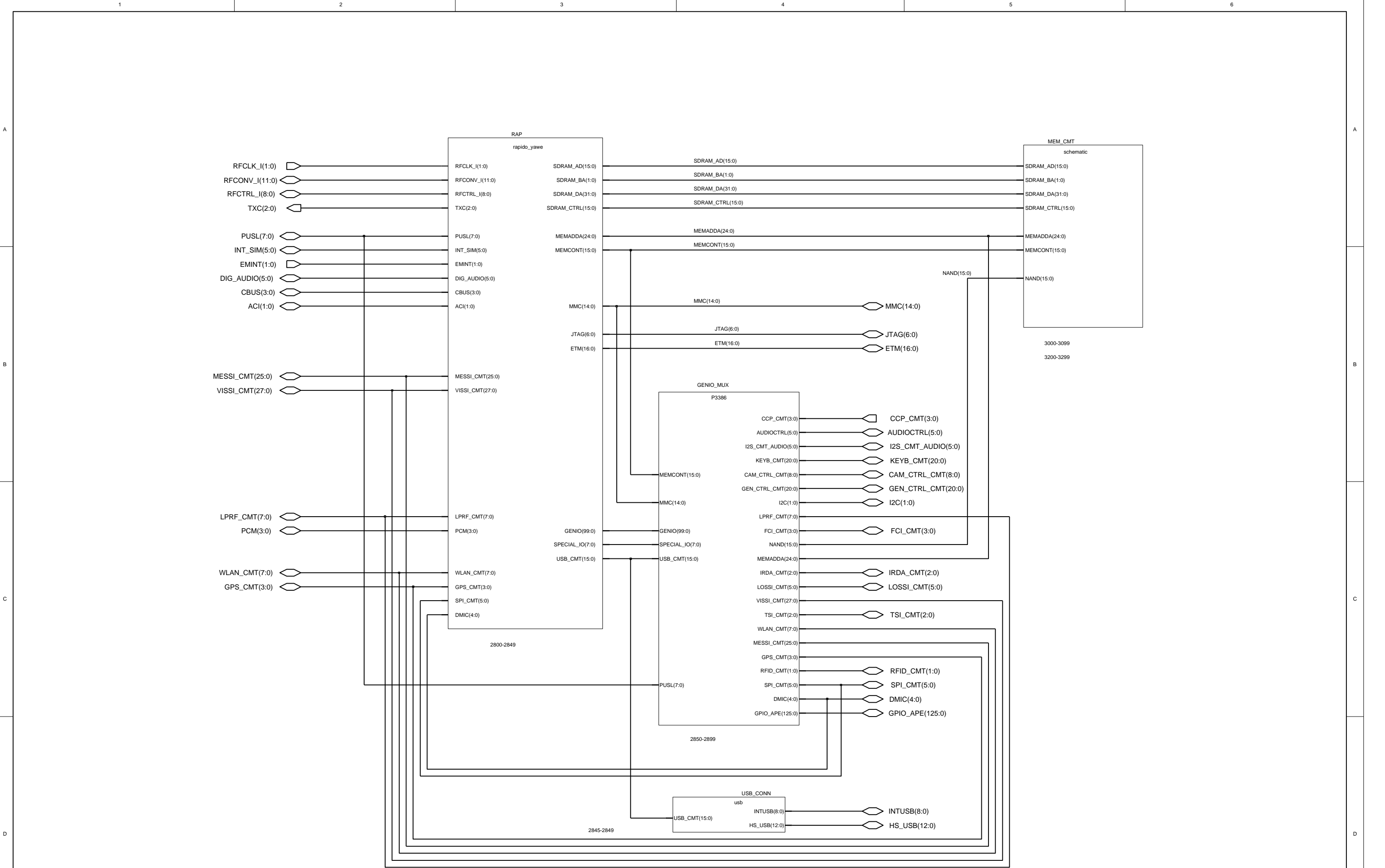
NOTE! SDA and SCL lines should include 10-47kOhm pull up resistors. Resistors value is dependent on number of I2C slaves



Copyright (C) Nokia Corporation. All rights reserved.
 THIS DRAWING IS PROTECTED BY COPYRIGHT AS AN UNPUBLISHED WORK.
 UNAUTHORIZED REPRODUCTION OF THIS DRAWING IS NOT PERMITTED.
 THIS DRAWING CONTAINS PROPRIETARY AND CONFIDENTIAL INFORMATION.
 This document is property of Nokia Corporation



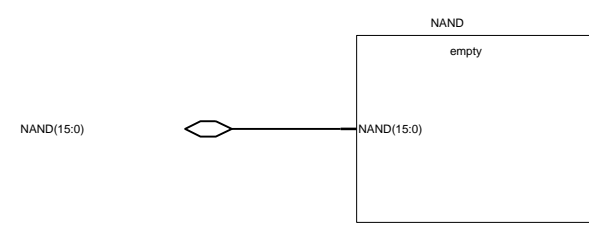
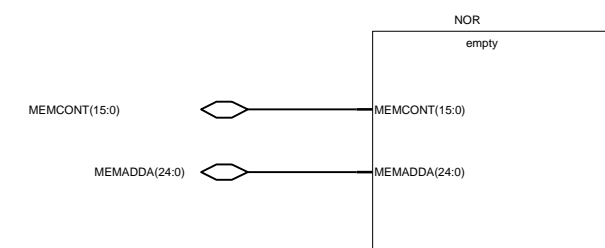
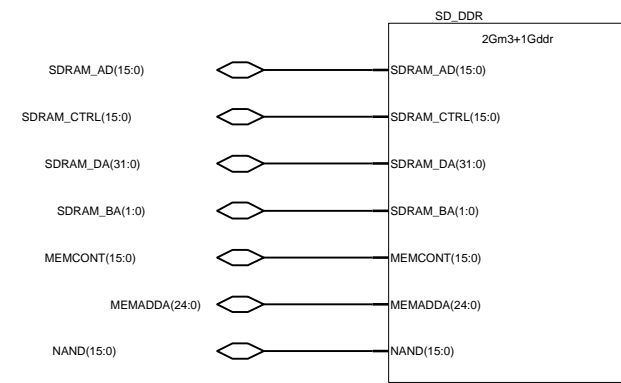
Name	RAPIDO VCORE SMPS with multilayer coil		Appr	dd-mmm-yy
Assoc			Des.	
File			Dr.	
Proj	Drw.		Sheet xx of yy	0 (01)
	Print Yes	V. 0.0	Edit	10



Copyright (C) Nokia Corporation. All rights reserved.
 THIS DRAWING IS PROTECTED BY COPYRIGHT AS AN UNPUBLISHED WORK.
 UNAUTHORIZED REPRODUCTION OF THIS DRAWING IS NOT PERMITTED.
 THIS DRAWING CONTAINS PROPRIETARY AND CONFIDENTIAL INFORMATION.
 This document is property of Nokia Corporation



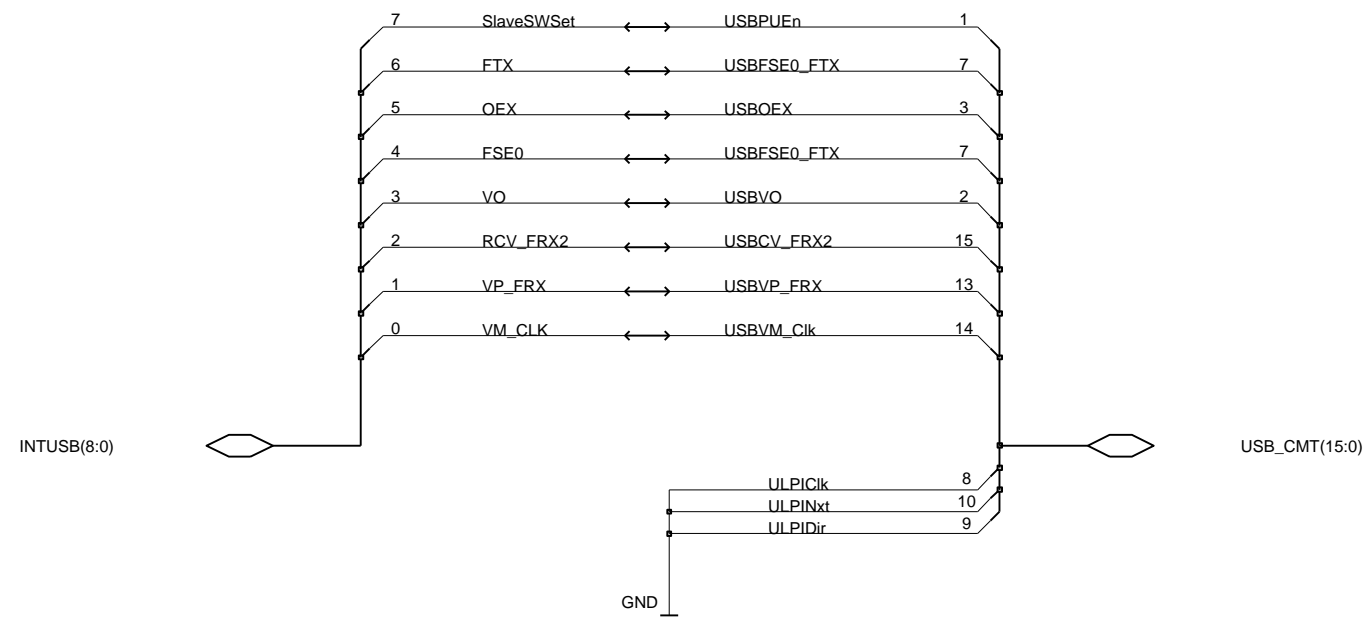
Name		CMT SUBSYSTEM		Appr		dd-mmm-yy	
Assoc				Des.			
File				Dr.			
Proj		Drw.		Sheet xx of yy		0 (01)	
Print		Yes		v. 0		Edit 5	



Copyright (C) Nokia Corporation. All rights reserved.
 THIS DRAWING IS PROTECTED BY COPYRIGHT AS AN UNPUBLISHED WORK.
 UNAUTHORIZED REPRODUCTION OF THIS DRAWING IS NOT PERMITTED.
 THIS DRAWING CONTAINS PROPRIETARY AND CONFIDENTIAL INFORMATION.
 This document is property of Nokia Corporation



Name	CMT Memories	Appr	10-Aug-00
Assoc		Des.	
File		Dr.	
Proj		Sheet	xx of yy
		Print	Yes
		v.	02
		Edit	3
			1 (01)



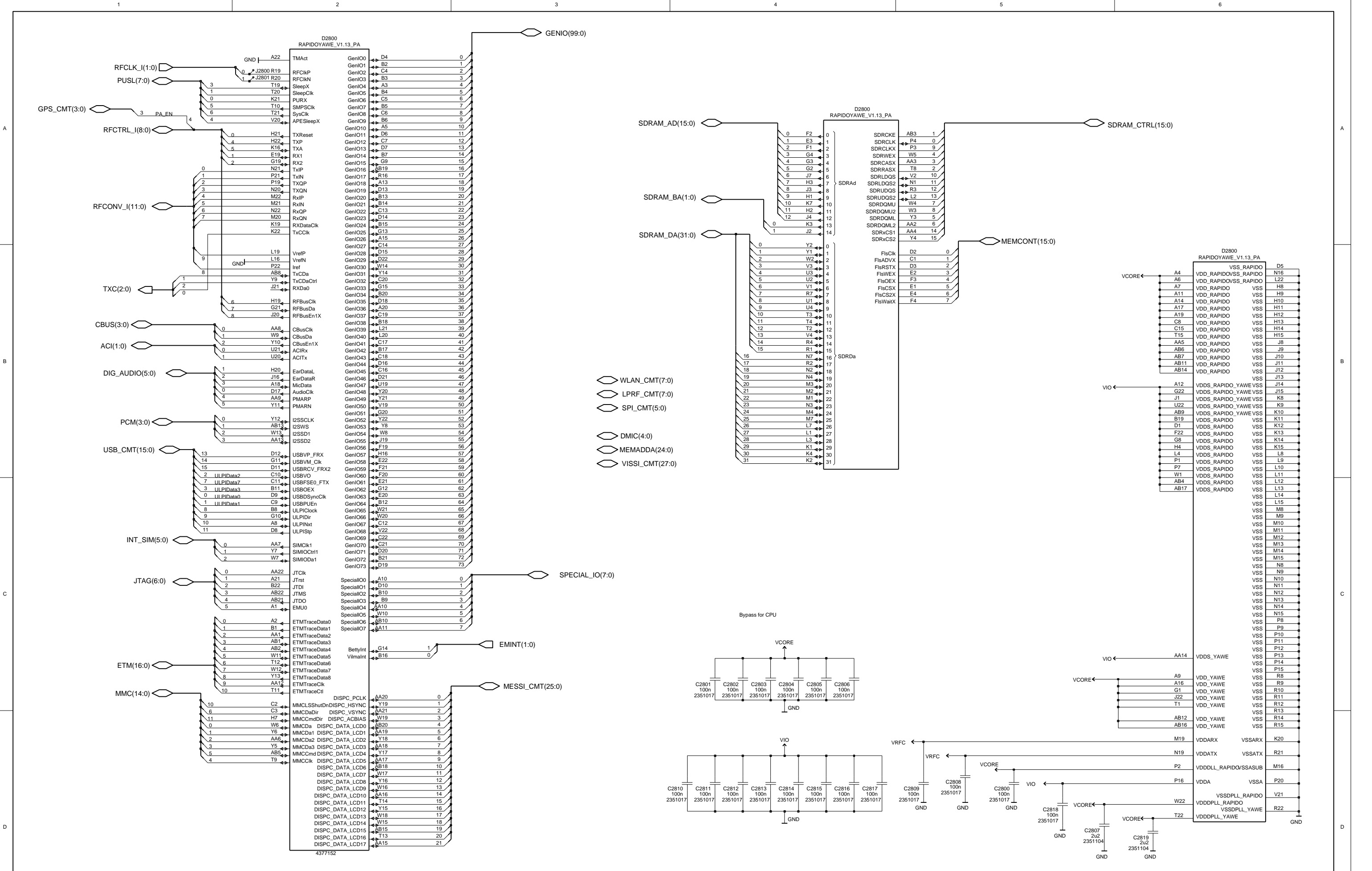
HS_USB(12:0)



Copyright (C) Nokia Corporation. All rights reserved.
 THIS DRAWING IS PROTECTED BY COPYRIGHT AS AN UNPUBLISHED WORK.
 UNAUTHORIZED REPRODUCTION OF THIS DRAWING IS NOT PERMITTED.
 THIS DRAWING CONTAINS PROPRIETARY AND CONFIDENTIAL INFORMATION.
 This document is property of Nokia Corporation



Name USB		Appr dd-mmm-yy	
Assoc		Des.	
		Dr.	
File		Sheet XX of yy	0 (01)
Proj	Drw.	Print Yes	V. 0.0 Edit 4



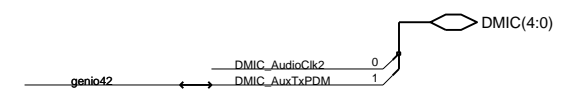
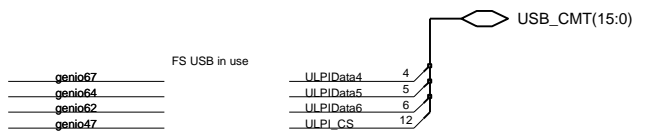
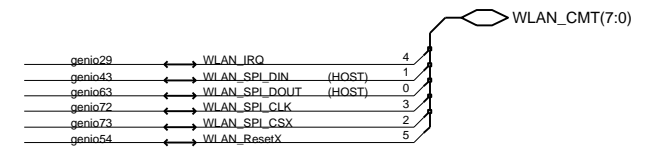
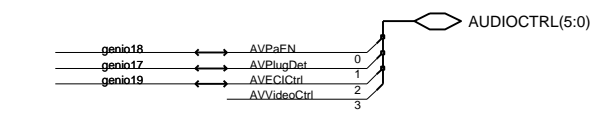
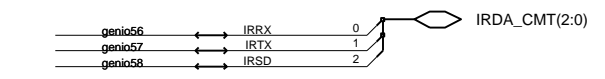
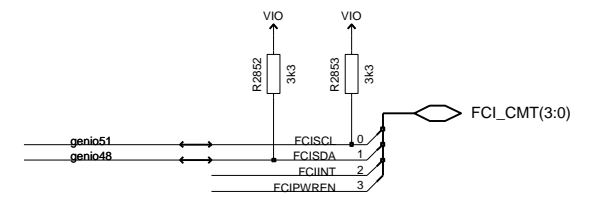
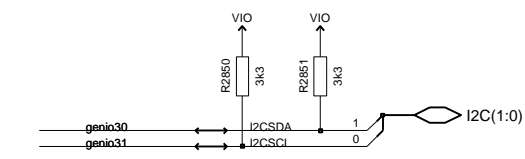
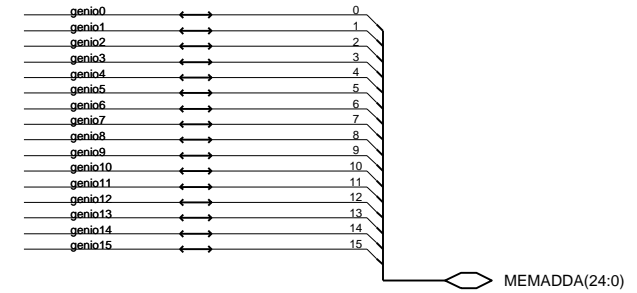
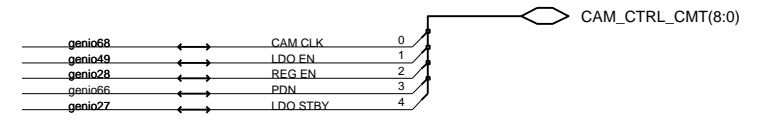
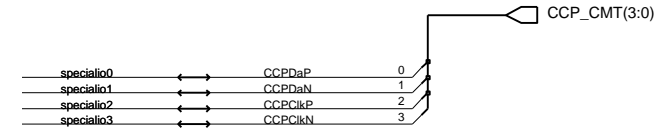
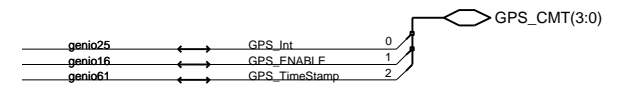
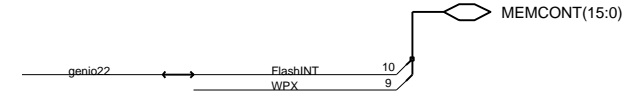
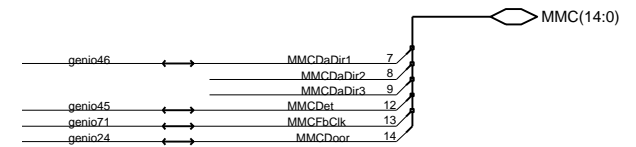
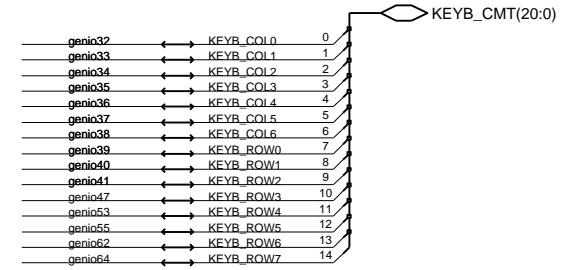
Copyright (C) Nokia Corporation. All rights reserved.
 THIS DRAWING IS PROTECTED BY COPYRIGHT AS AN UNPUBLISHED WORK.
 UNAUTHORIZED REPRODUCTION OF THIS DRAWING IS NOT PERMITTED.
 THIS DRAWING CONTAINS PROPRIETARY AND CONFIDENTIAL INFORMATION.
 This document is property of Nokia Corporation



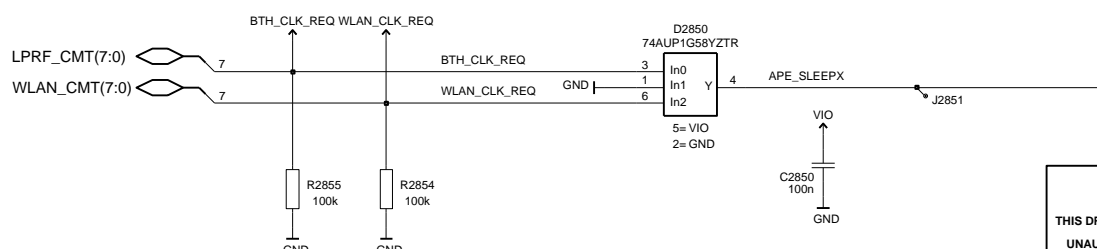
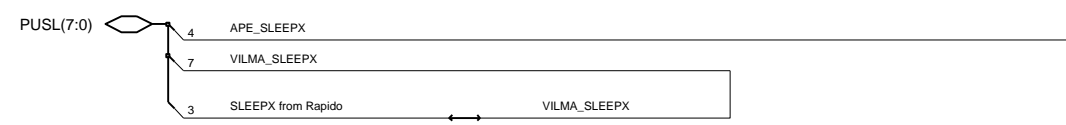
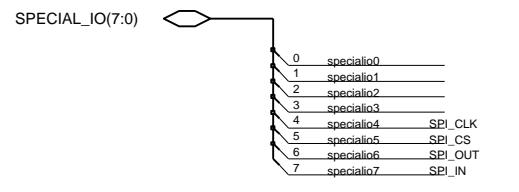
Name	RAPIDO YAWE		Appr	dd-mmm-yy
Assoc			Des.	
File			Dr.	
Proj			Sheet	xx of yy
			Print	Yes
			Version	v. 0.0
			Page	0 (01)
			Drawn	10

- 0 genio0 MEMADDA0
- 1 genio1 MEMADDA1
- 2 genio2 MEMADDA2
- 3 genio3 MEMADDA3
- 4 genio4 MEMADDA4
- 5 genio5 MEMADDA5
- 6 genio6 MEMADDA6
- 7 genio7 MEMADDA7
- 8 genio8 MEMADDA8
- 9 genio9 MEMADDA9
- 10 genio10 MEMADDA10
- 11 genio11 MEMADDA11
- 12 genio12 MEMADDA12
- 13 genio13 MEMADDA13
- 14 genio14 MEMADDA14
- 15 genio15 MEMADDA15
- 16 genio16 GPS_ENABLE
- 17 genio17 AVPlugDet
- 18 genio18 AVPaEn
- 19 genio19 AVECIChI
- 20 genio20 FM_INT
- 21 genio21 BT_WAKEUP
- 22 genio22 FlashINT
- 23 genio23 DAL5_INT
- 24 genio24 MMC_POS_DET
- 25 genio25 GPS_Int
- 26 genio26 NC
- 27 genio27 NC
- 28 genio28 NC
- 29 genio29 WLAN_IRQ
- 30 genio30 I2C_SDA
- 31 genio31 I2C_SCL
- 32 genio32 KEYB_COL0
- 33 genio33 KEYB_COL1
- 34 genio34 KEYB_COL2
- 35 genio35 KEYB_COL3
- 36 genio36 KEYB_COL4
- 37 genio37 KEYB_COL5
- 38 genio38 KEYB_COL6
- 39 genio39 KEYB_ROW0
- 40 genio40 KEYB_ROW1
- 41 genio41 KEYB_ROW2
- 42 genio42 DMIC_AuxTxPDM
- 43 genio43 WLAN_SPI_DIN
- 44 genio44 LCD_RSTX
- 45 genio45 MMCDet (Pre-warning)
- 46 genio46 MMCDaDir1
- 47 genio47 KEYB_ROW3
- 48 genio48 ECISDA
- 49 genio49 STV_LDO_EN
- 50 genio50 UARTWAKE
- 51 genio51 ECISCL
- 52 genio52 NC
- 53 genio53 KEYB_ROW4
- 54 genio54 WLAN_RESETX
- 55 genio55 KEYB_ROWS
- 56 genio56 IRRX
- 57 genio57 IRTX
- 58 genio58 IRSD
- 59 genio59 BTDAIN
- 60 genio60 BTDAOUT
- 61 genio61 GPS_TimeStamp
- 62 genio62 KEYB_ROW6
- 63 genio63 WLAN_SPI_DOUT
- 64 genio64 KEYB_ROW7
- 65 genio65 BTRSTX
- 66 genio66 STV_HWA_PDN
- 67 genio67 NC
- 68 genio68 CAM_CLK
- 69 genio69 BTCTS
- 70 genio70 BTRTS
- 71 genio71 MMCFbClk
- 72 genio72 WLAN_SPI_CLK
- 73 genio73 WLAN_SPI_CSX

STV_LDO_STBY
CAM_REG_EN



- NAND(15:0)
- LOSSI_CMT(5:0)
- I2S_CMT_AUDIO(5:0)
- VISSI_CMT(27:0)
- LOSSI_CMT(5:0)
- TSI_CMT(2:0)
- SPI_CMT(5:0)
- RFID_CMT(1:0)
- GPIO_APE(125:0)



Copyright (C) Nokia Corporation. All rights reserved.
THIS DRAWING IS PROTECTED BY COPYRIGHT AS AN UNPUBLISHED WORK.
UNAUTHORIZED REPRODUCTION OF THIS DRAWING IS NOT PERMITTED.
THIS DRAWING CONTAINS PROPRIETARY AND CONFIDENTIAL INFORMATION.
This document is property of Nokia Corporation



Name	GenIO mux			Appr
Assoc				Des.
File				Dr.
Proj	01	xx	yy	0 (01)
Print	Yes	v. 0.0	Edit	21

