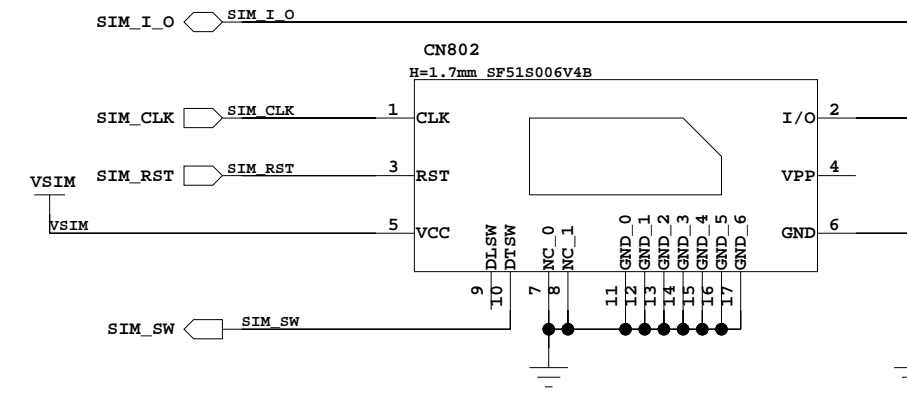
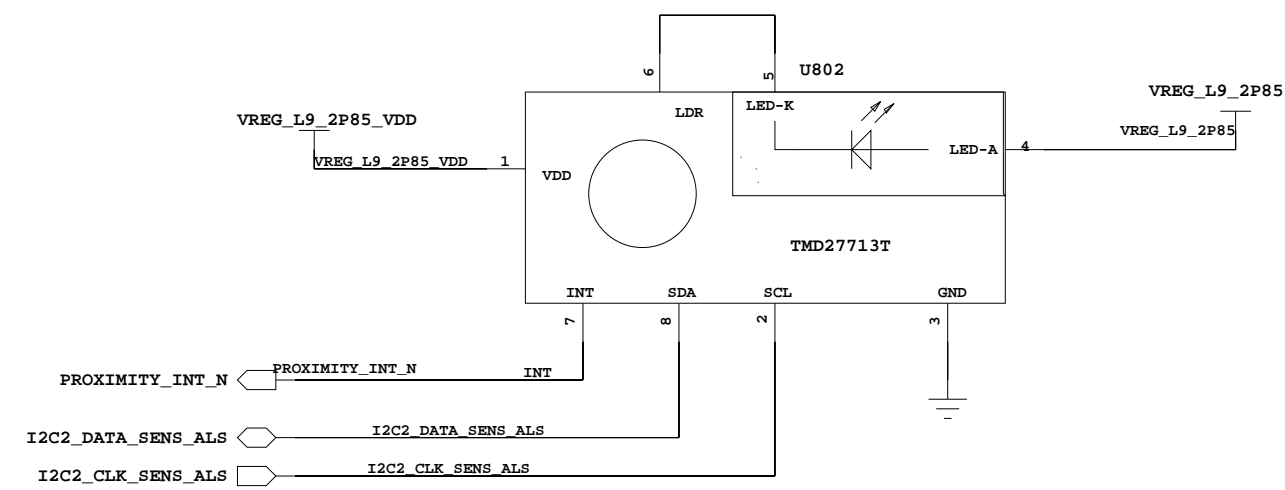


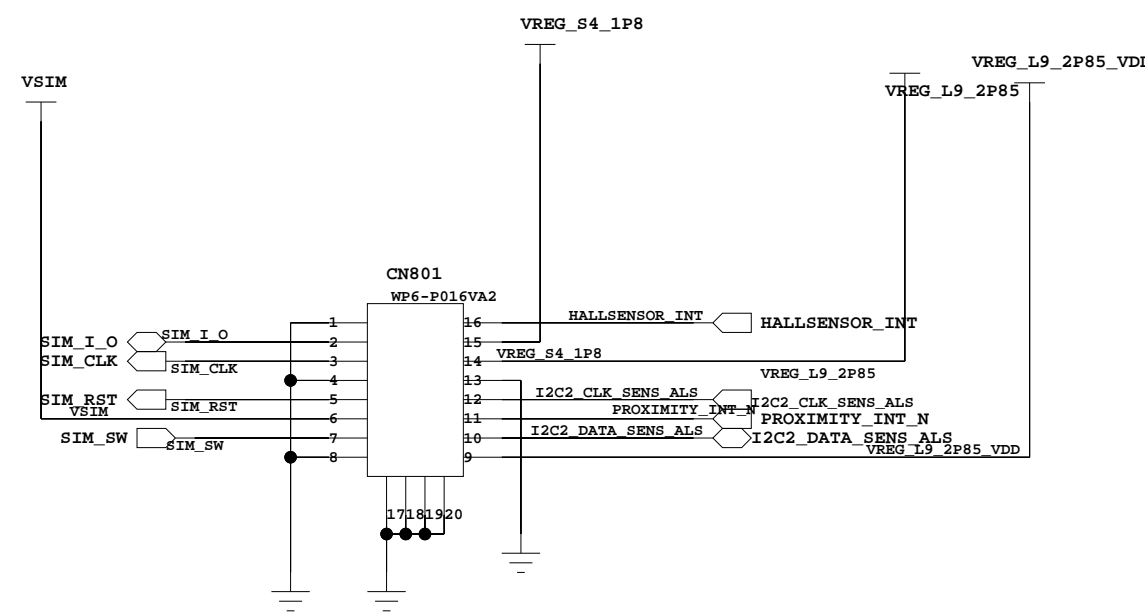
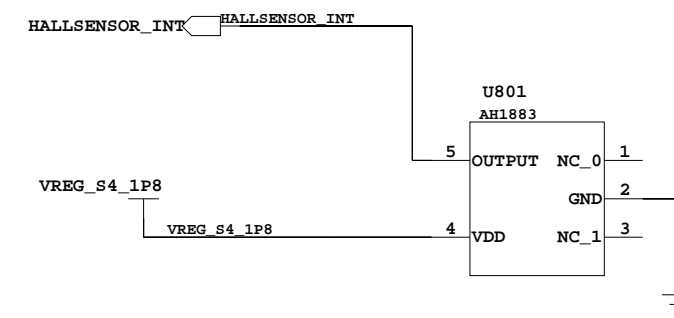
SIM CARD



ALS+PS

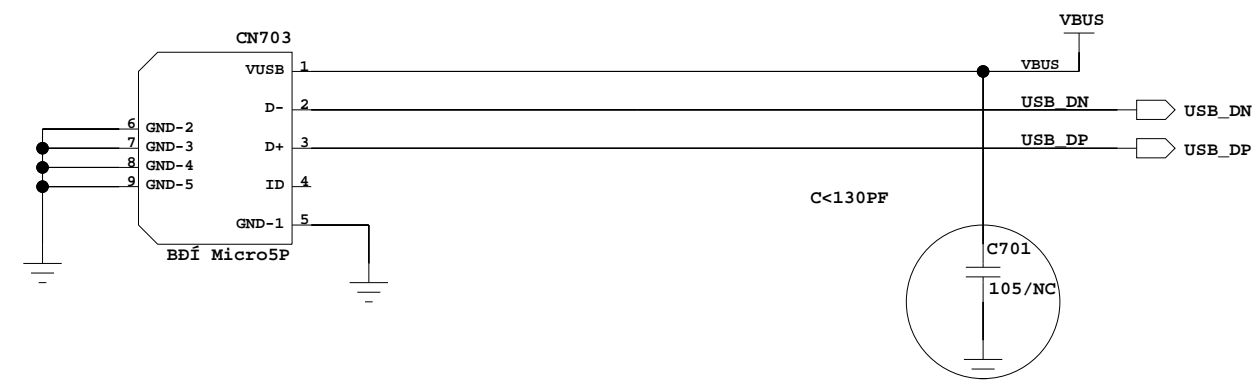


Hall sensor

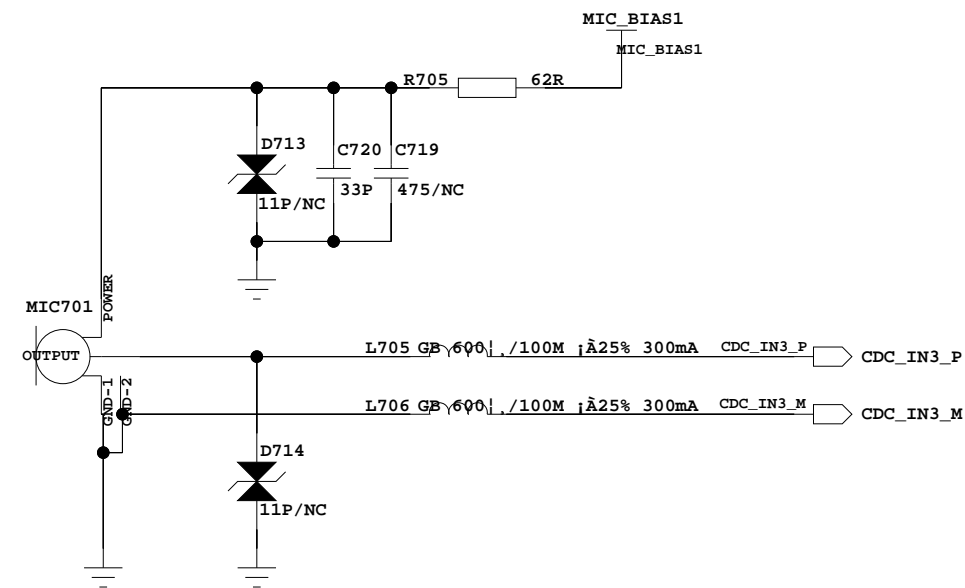


	Sign	Date	Type:
Drawn By			Draw No: Schematic1
Checked By			Sheet 1 of 1 Ver:
Standard By			
Approved By			

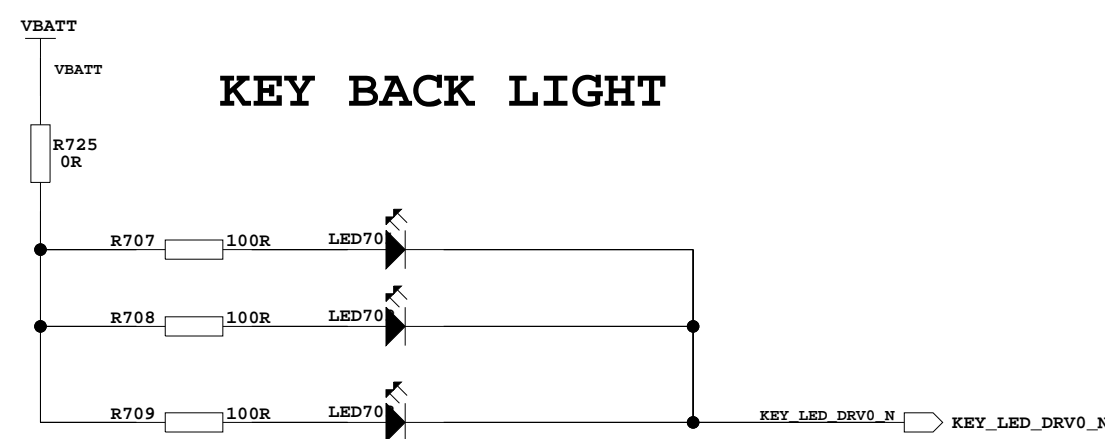
USB Connector



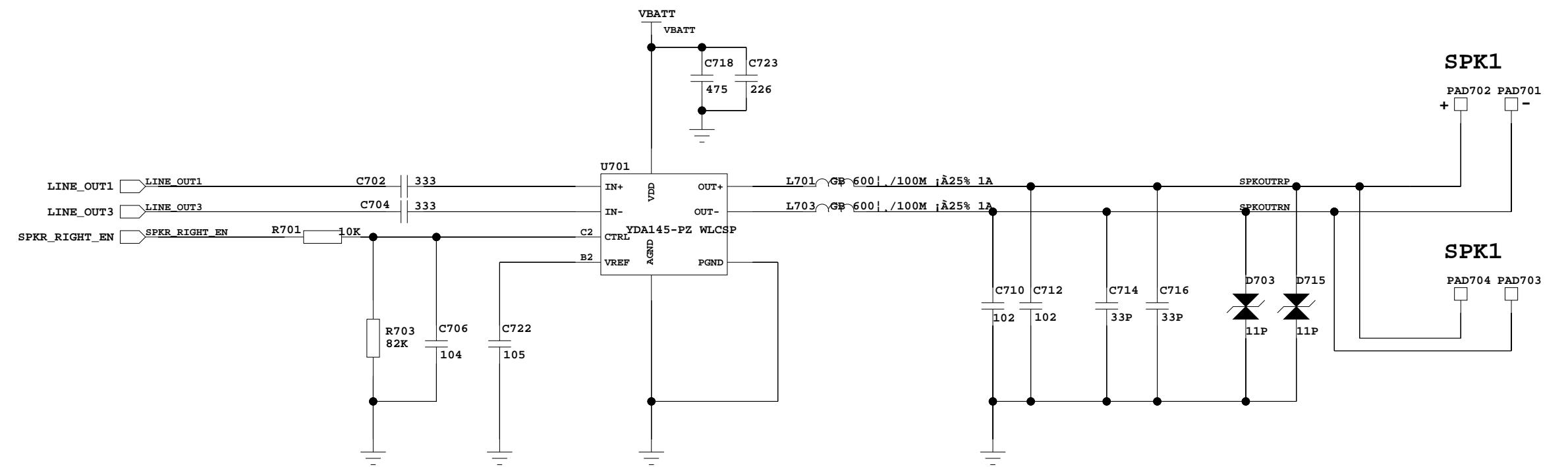
Primary MIC



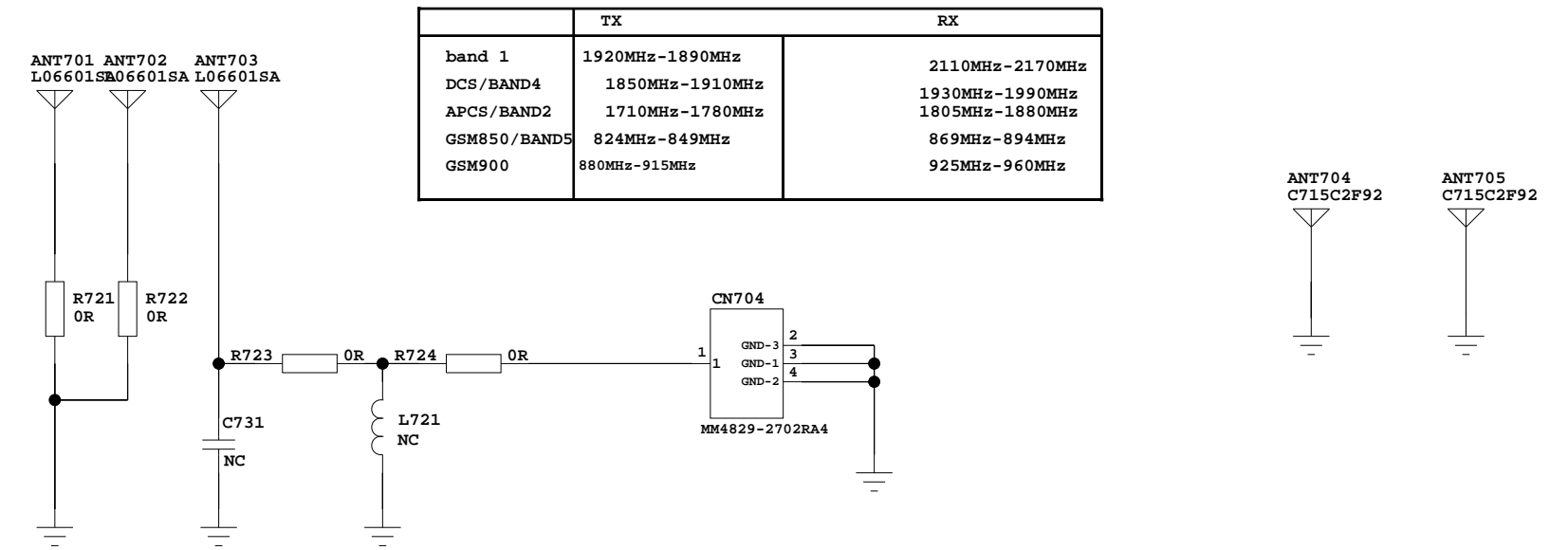
KEY BACK LIGHT



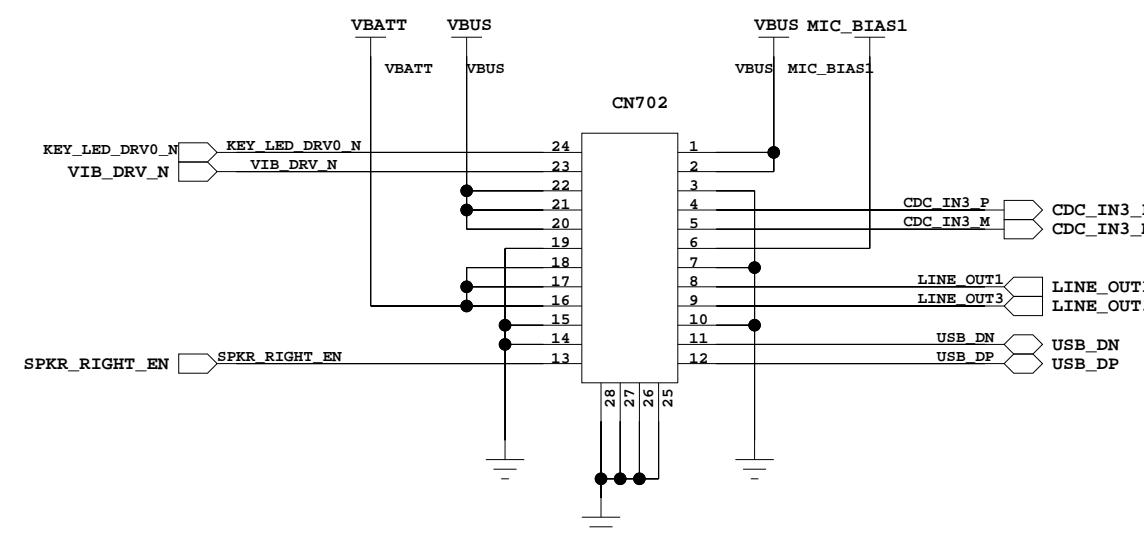
SPEAKER



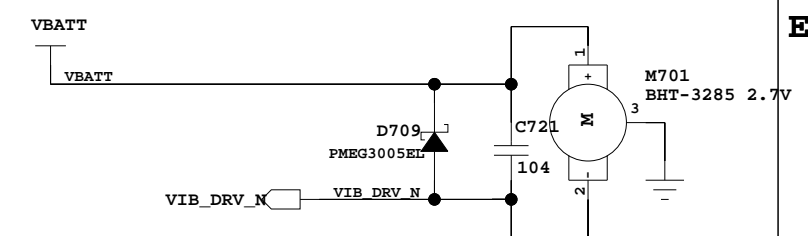
Primary Antenna



FPC connector

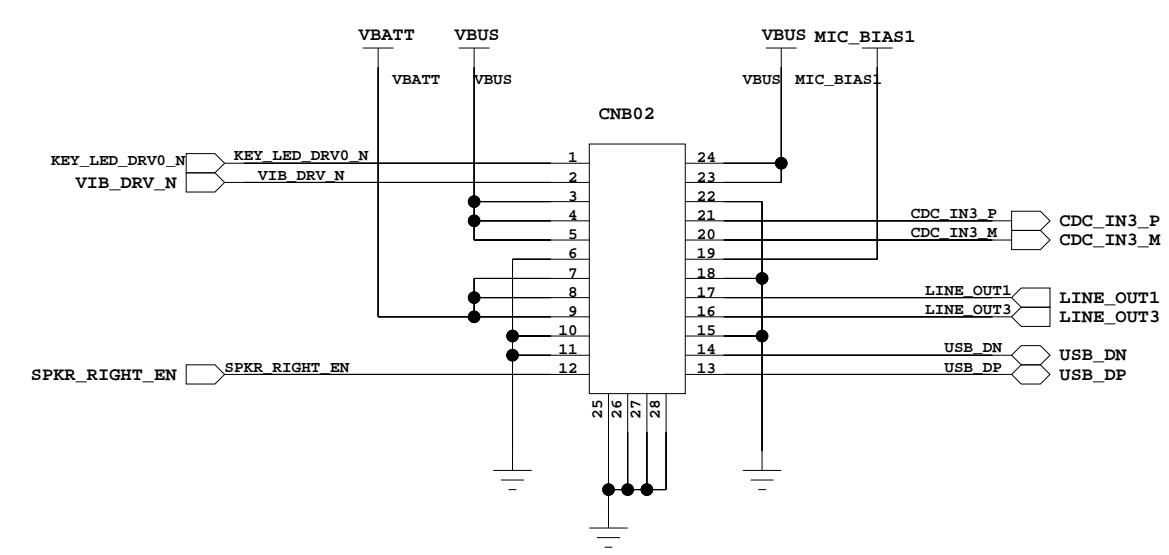


Vibrator

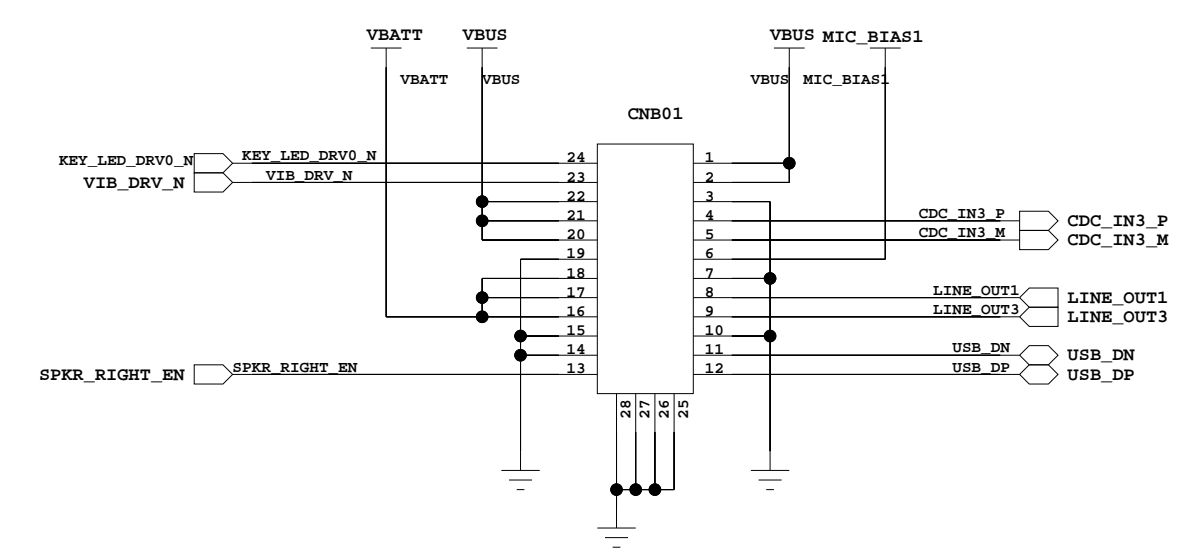


Drawn By	Sign	Date	Type:
Checked By			Draw No: Schematic2
Standard By			Sheet 1 of 1 Ver:
Approved By			oppo

connector to main board

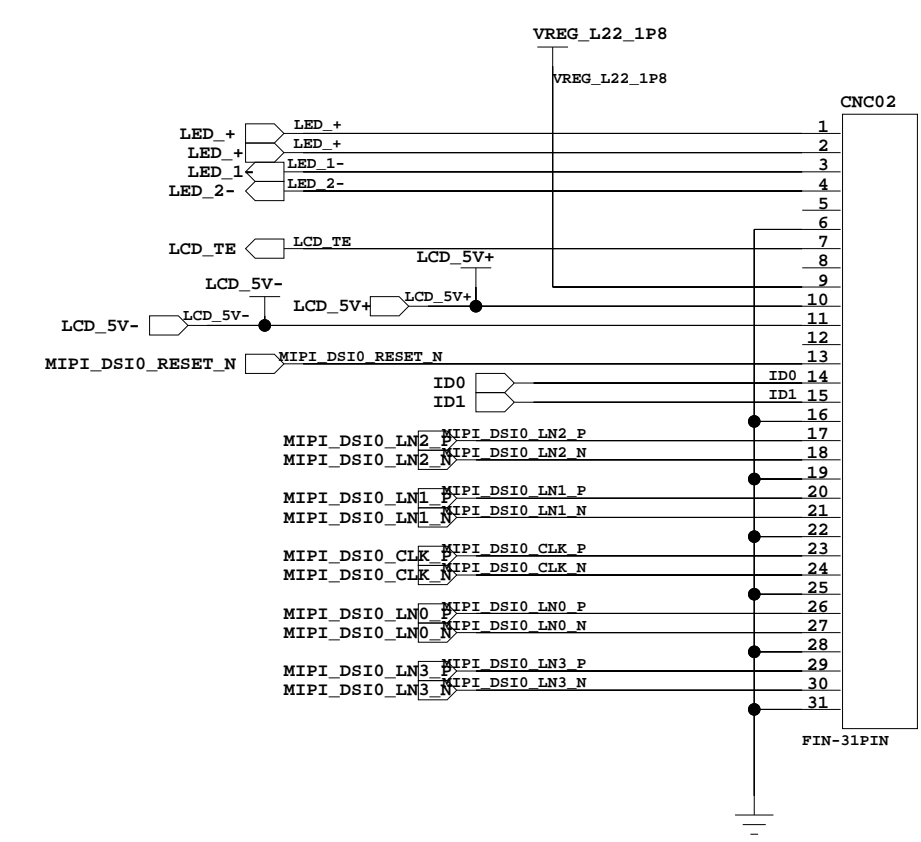


connector to sub board

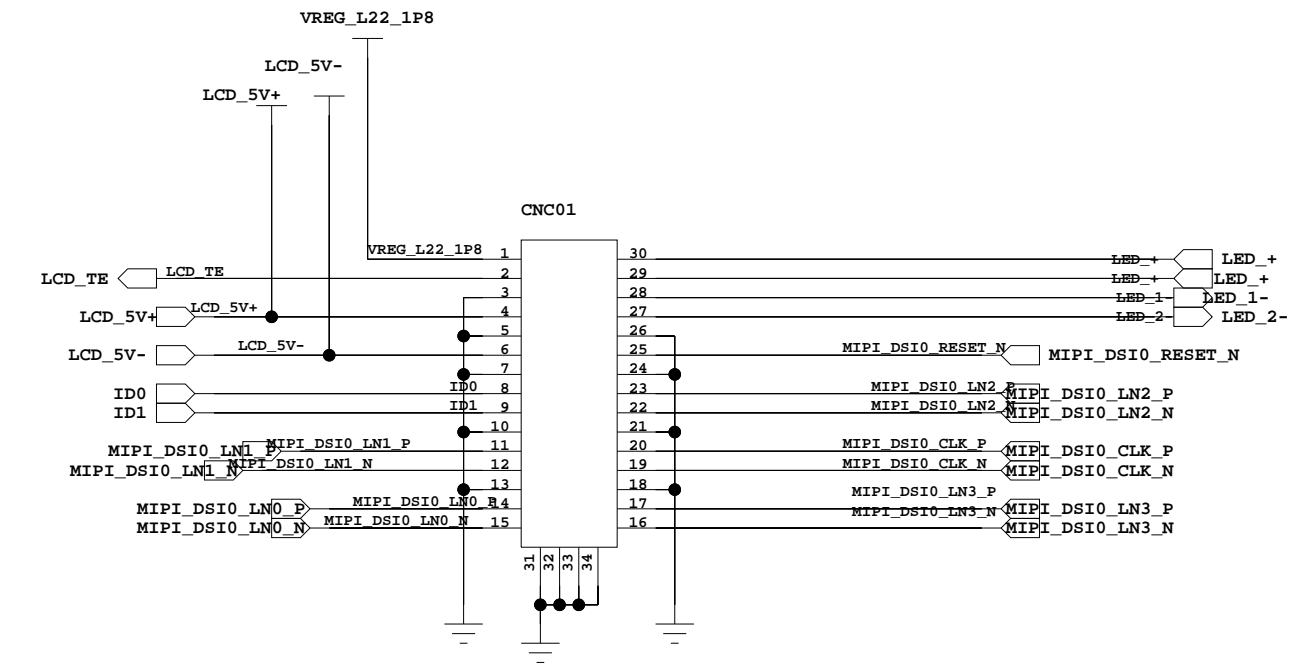


	Sign	Date	Type:
Drawn By			Draw No: Schematic3
Checked By			Sheet 1 of 1 Ver:
Standard By			
Approved By			

ACF finger



BTB connector



	Sign	Date	Type:
Drawn By			Draw No: Schematic4
Checked By			Sheet 1 of 1 Ver:
Standard By			
Approved By			