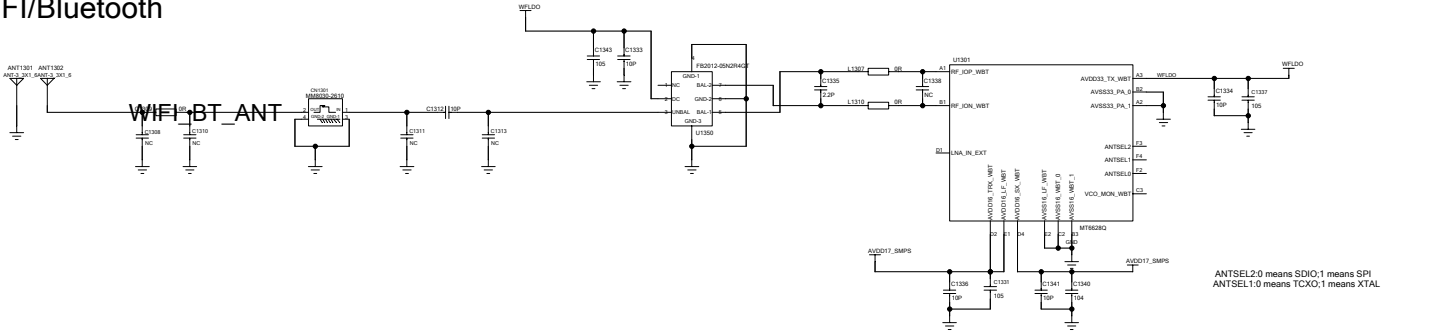
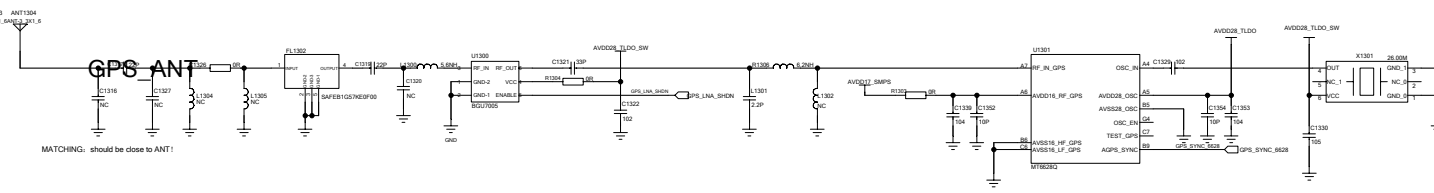


# WIFI/Bluetooth



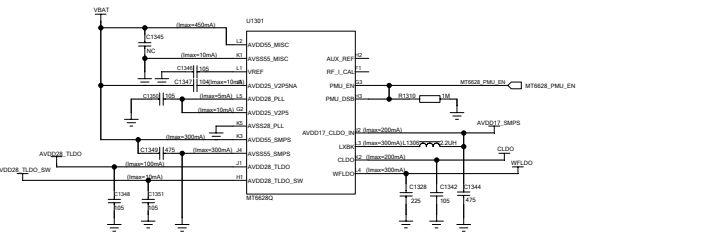
ANTSEL2.0 means SDIO;1 means SPI  
ANTSEL1.0 means TCXO;1 means XTAL

# GPS

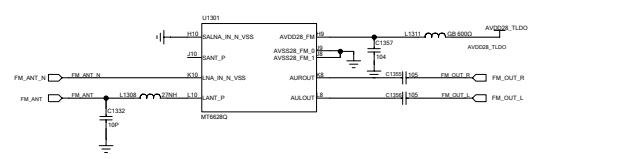


MATCHING: should be close to ANT!

# Power Supply

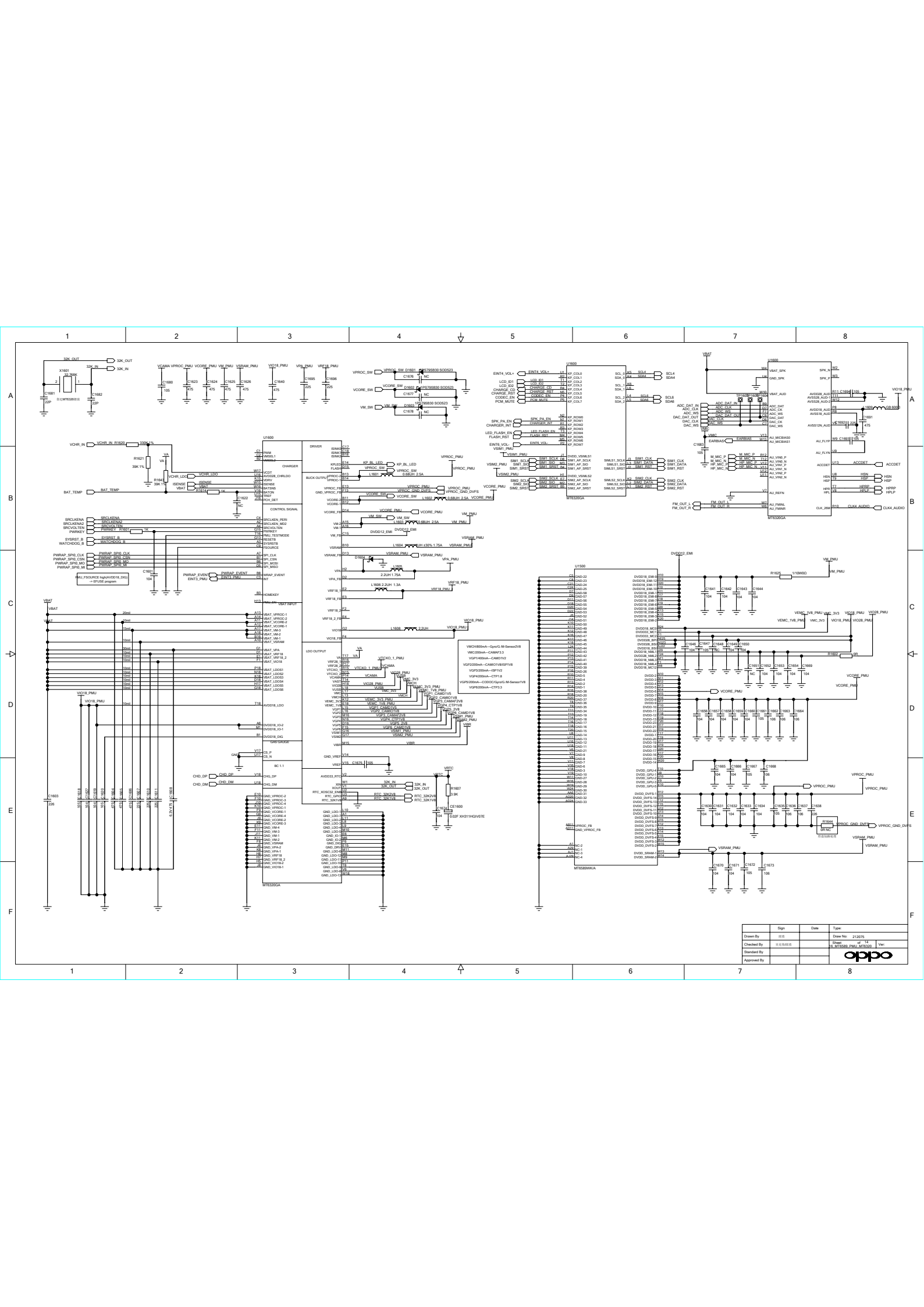


# FM



Drawn By	Sign	Date	Type
Drawn By	88	212075	
Checked By	88	212075	
Standard By			
Approved By			

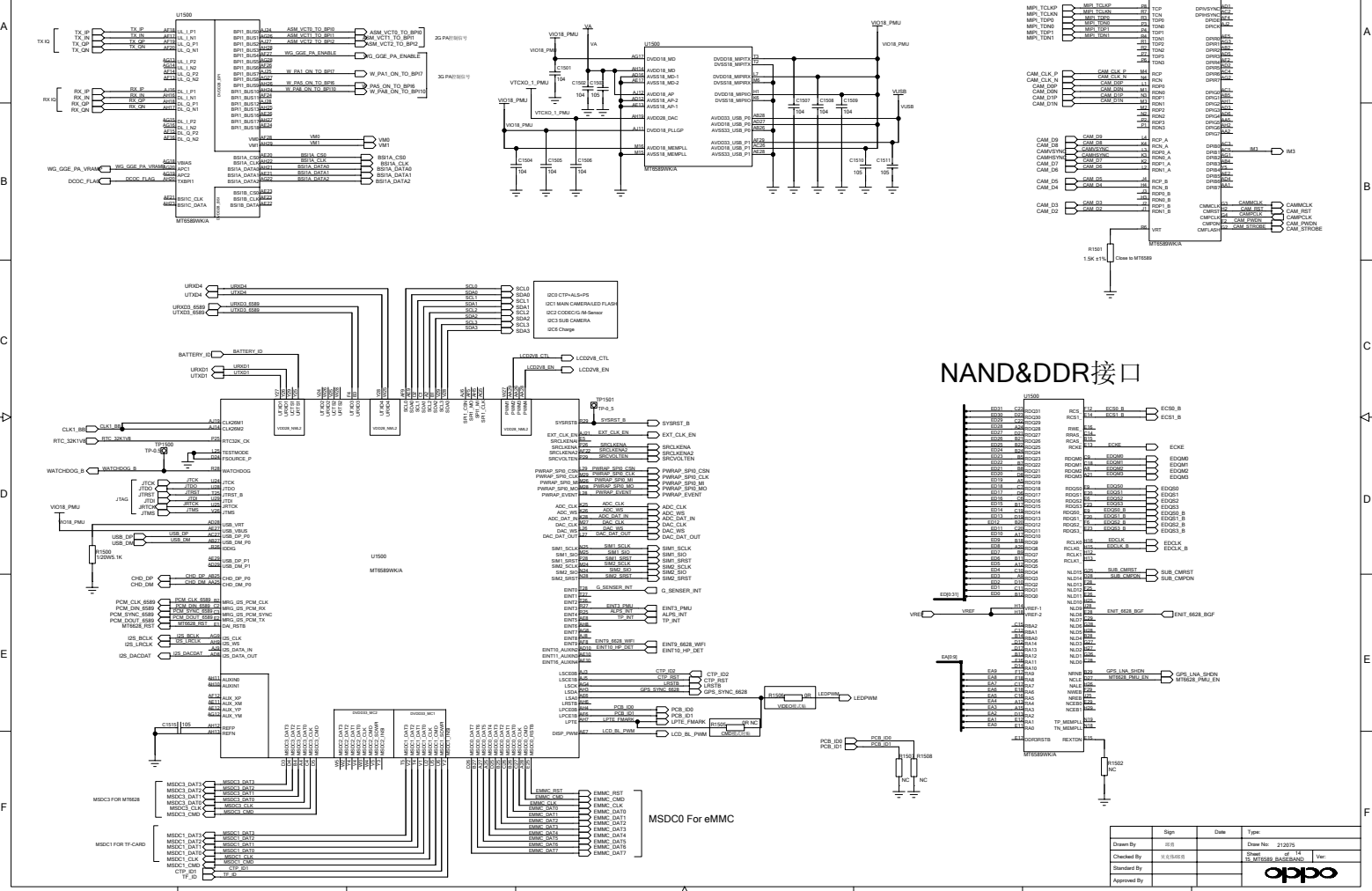




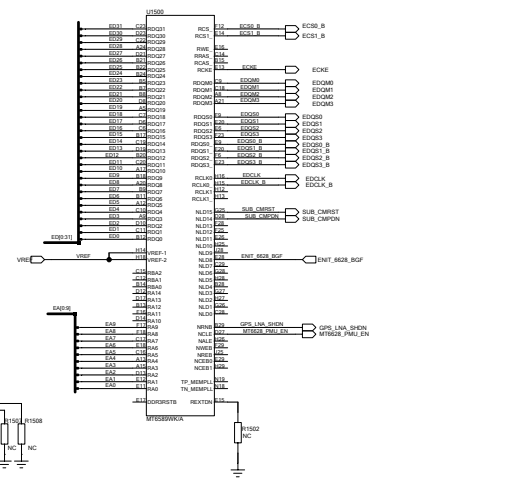
Drawn By	Sign	Date	Type
Wang		11	11
Checked By		11	11
Standard By			
Approved By			



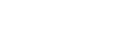
# 2G/3GPA



## NAND&DDR接口



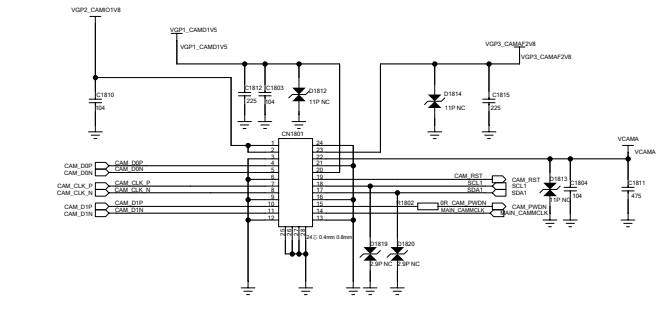
## MSDC0 For eMMC



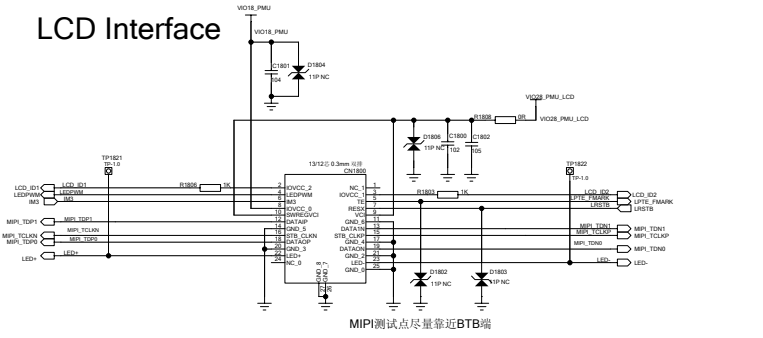
Drawn By	Sign	Date	Type
W. G. HAN		210719	
Checked By			
Standard By			
Approved By			



# CAMERA 5M



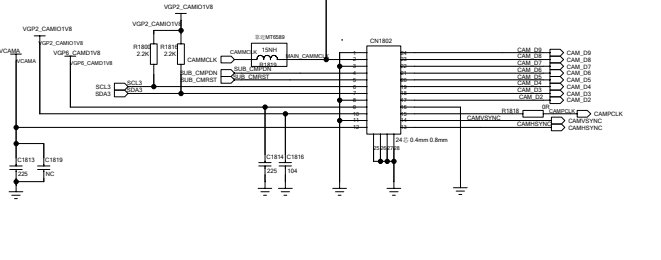
# LCD Interface



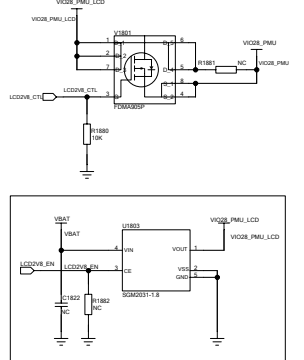
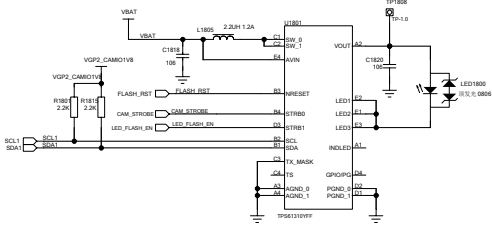
MIPI测试点尽量靠近BTB端

# SUB Cam 2M

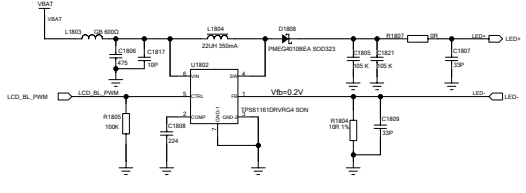
main and sub VCORE diff



# Flash LED Driver

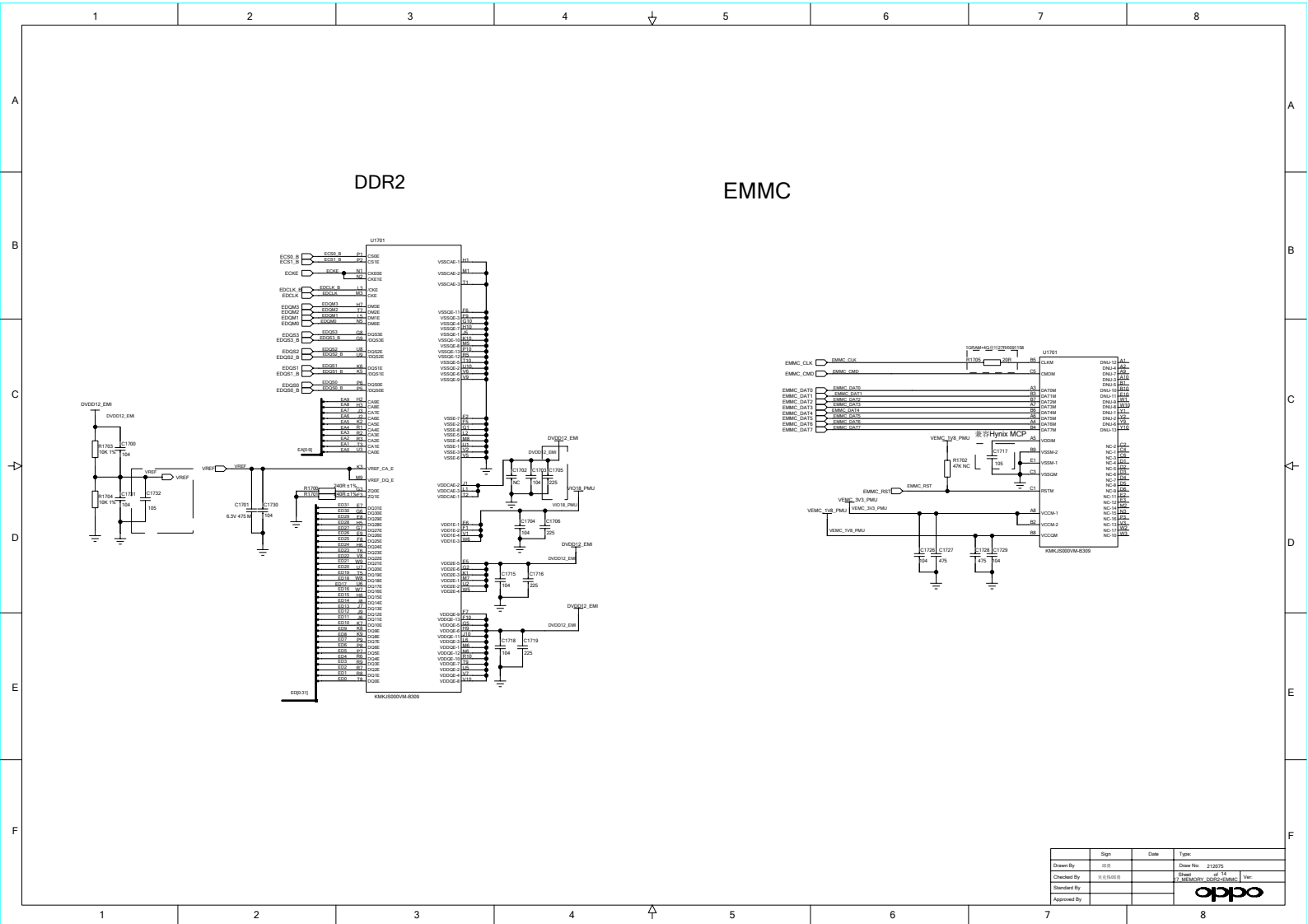


# LCD BACKLIGHT



Drawn By	Sign	Date	Type
Drawn By	jsj		Draw No: 212075
Checked By	zjh	2021/10/10	Draw No: 212075
Standard By			18_LCD_INTERFACE-CAMERA-5M-1.0
Approved By			





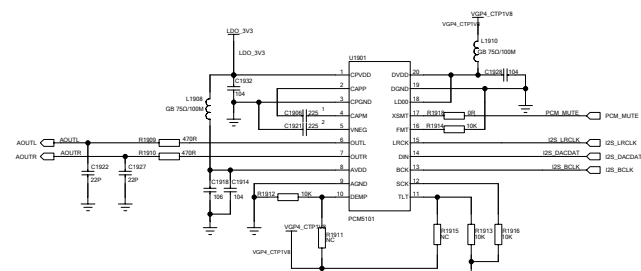
DDR2

EMMC

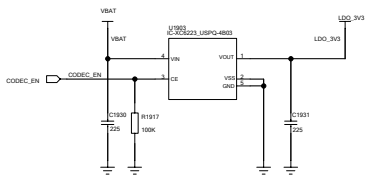
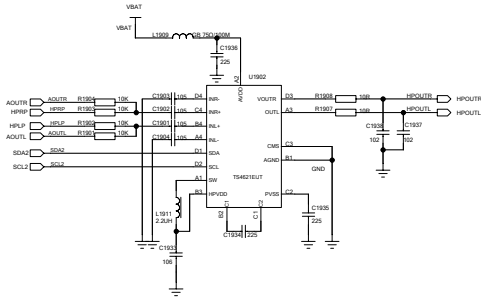
Drawn By	Sign	Date	Type
Drawn By	05		Draw No: 212079
Checked By	W.0400-0		Drawn By: 05
Standard By			Drawn By: MEMORY (0502-050000) Ver
Approved By			oppo

# CODEC

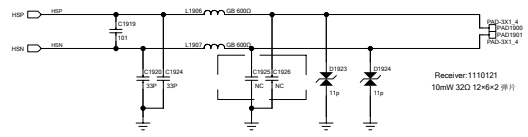
# D/A



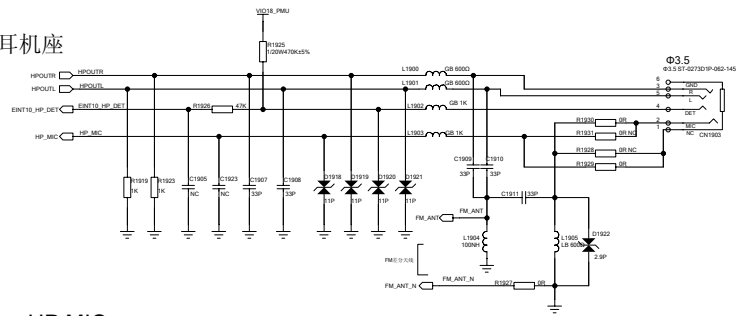
# 耳放



# Receiver

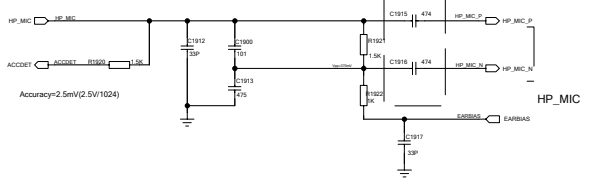


# 耳机座



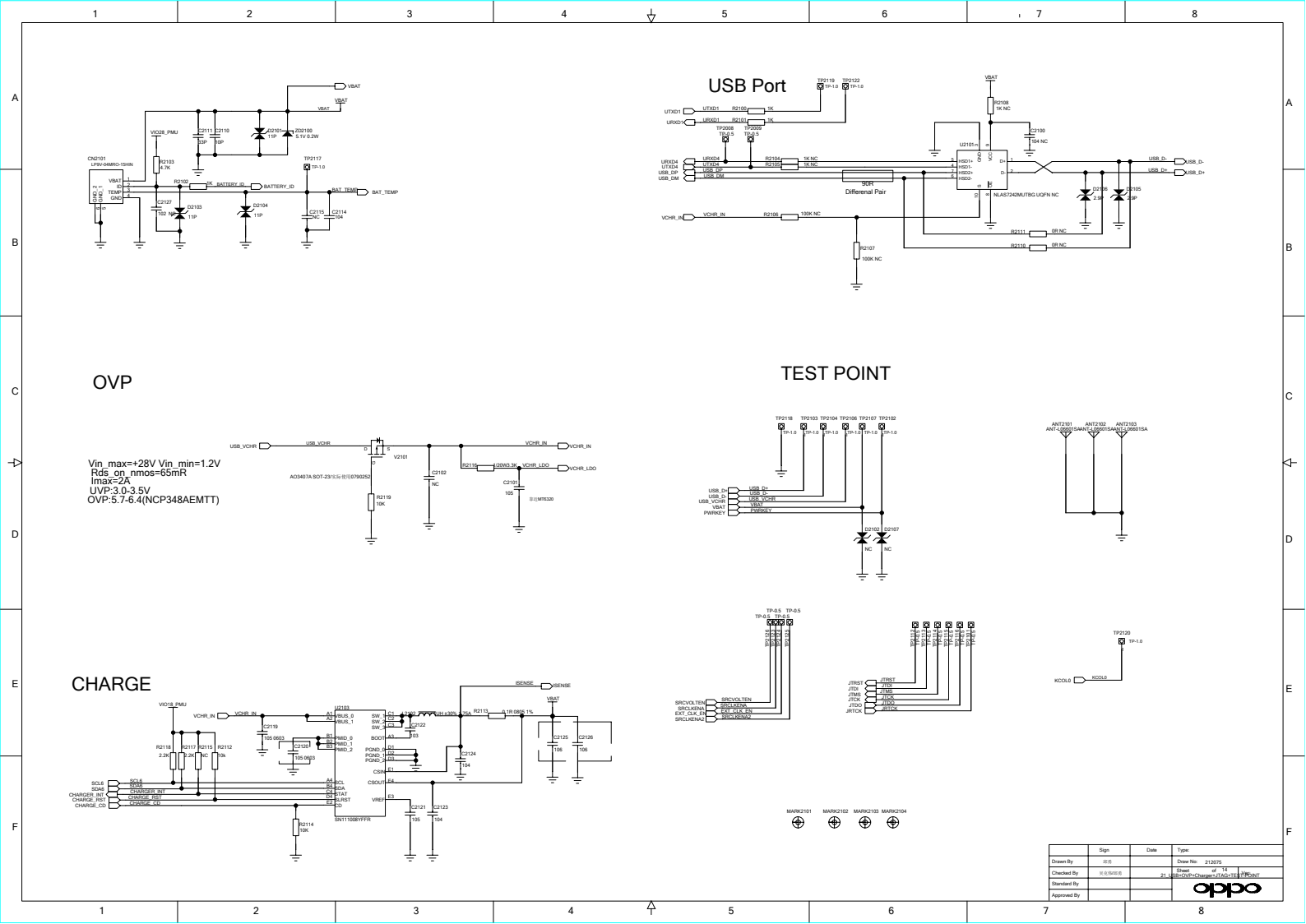
# HP MIC

ACCDDET have 3 steps for headphone detect and hookint

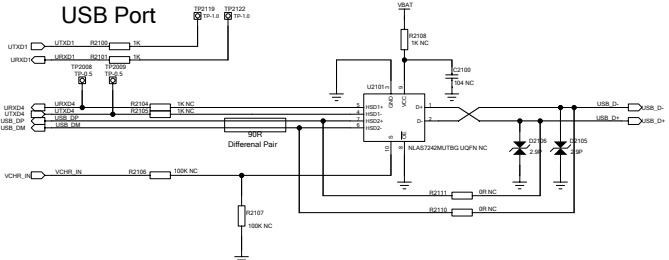


Drawn By	Sign	Date	Type
Drawn By	010		Draw No: 212079
Checked By	W.010010		Draw Date: 17
Standard By			Draw No: 212079
Approved By			Ver: 1

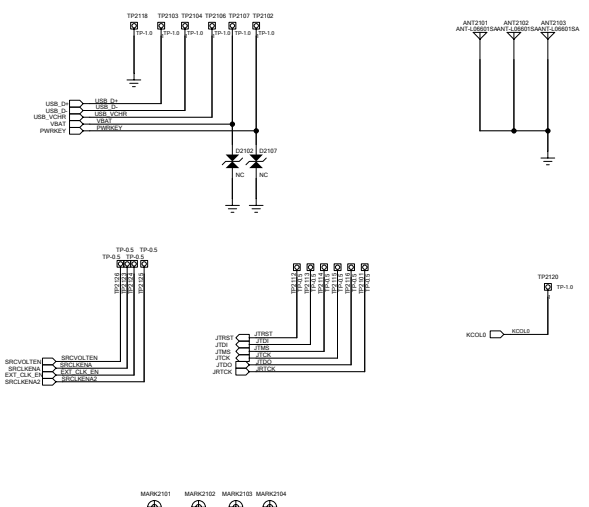




### USB Port



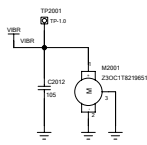
### TEST POINT



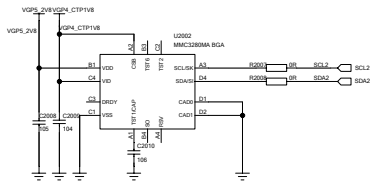
Drawn By	Sign	Date	Type
010		212015	
Checked By	010	01/15/15	
Standard By			
Approved By			

oppor

### MOTOR

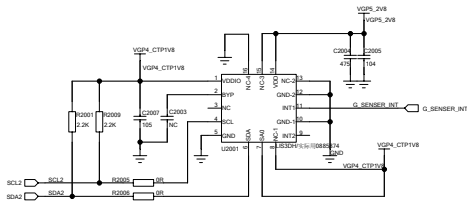


### M-sensor



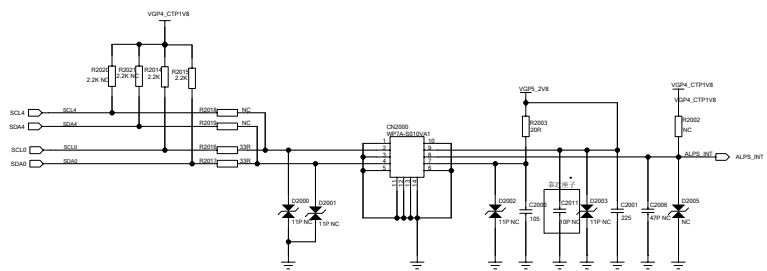
Compass Sensor (Slave Address 0X60)  
Compass Sensor (Slave Address 0110000)  
NOTES: DRDY Active 'H'. Informs measurement ended and data is ready to be read.

### G Sensor

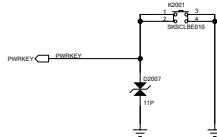


LIS3DH Slave address 0X19(0011001)

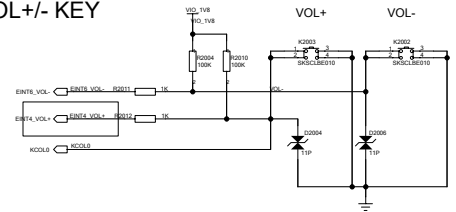
### A.L.S.+P.S sensor module & indicator LED



### POWER KEY



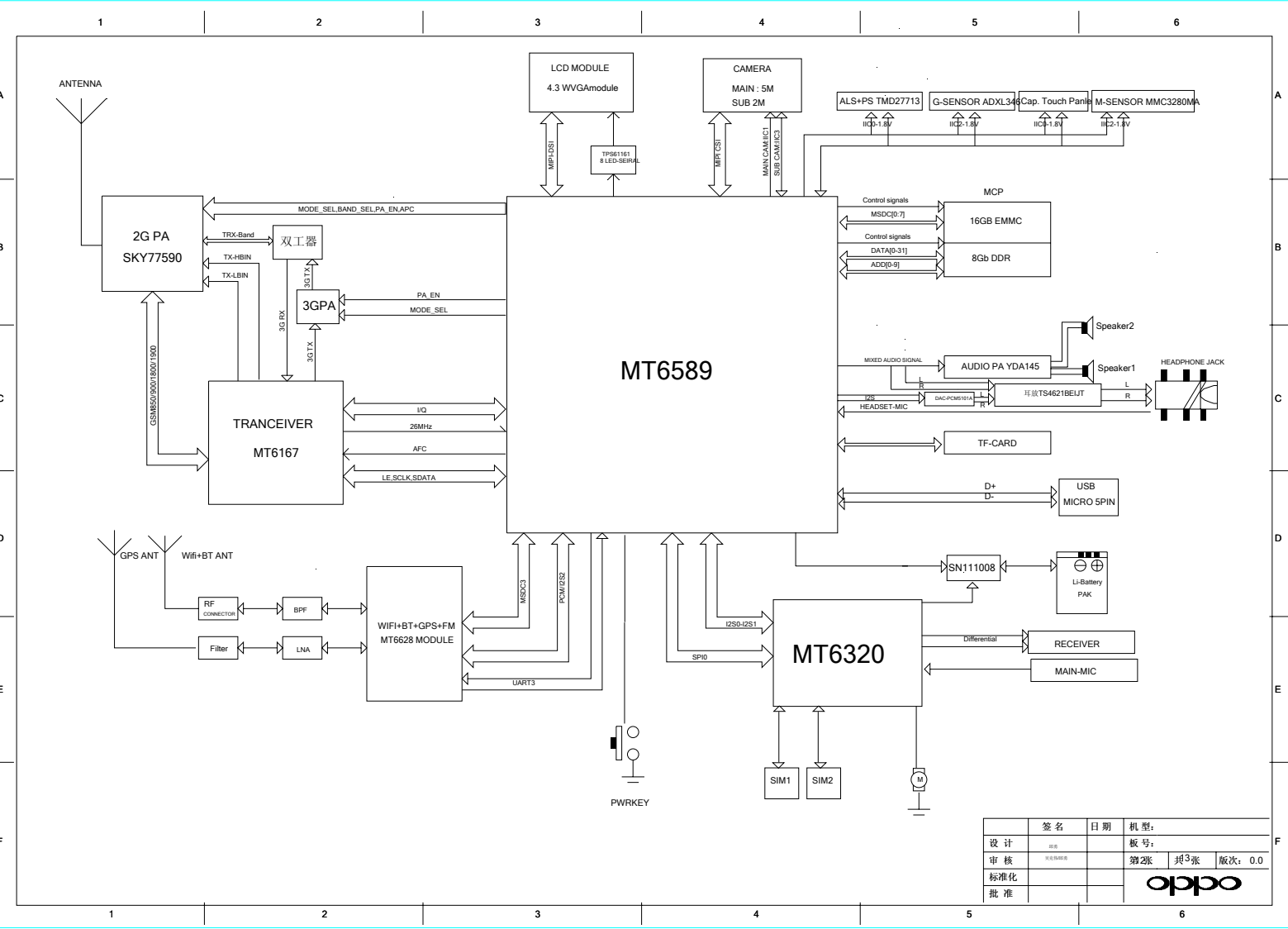
### VOL+/- KEY



Drawn By	Sign	Date	Type
05			Draw No: 212075
W.61601-9			Draw No: 14
			Draw No: 05_SENSOR_MODULE_KEY_V1
Approved By			







	签名	日期	机型:
设计	王		板号:
审核	王		第2张 共3张 版次: 0.0
标准化			
批准			

**oppo**

1 2 3 4 5 6

A  
B  
C  
D  
E  
F

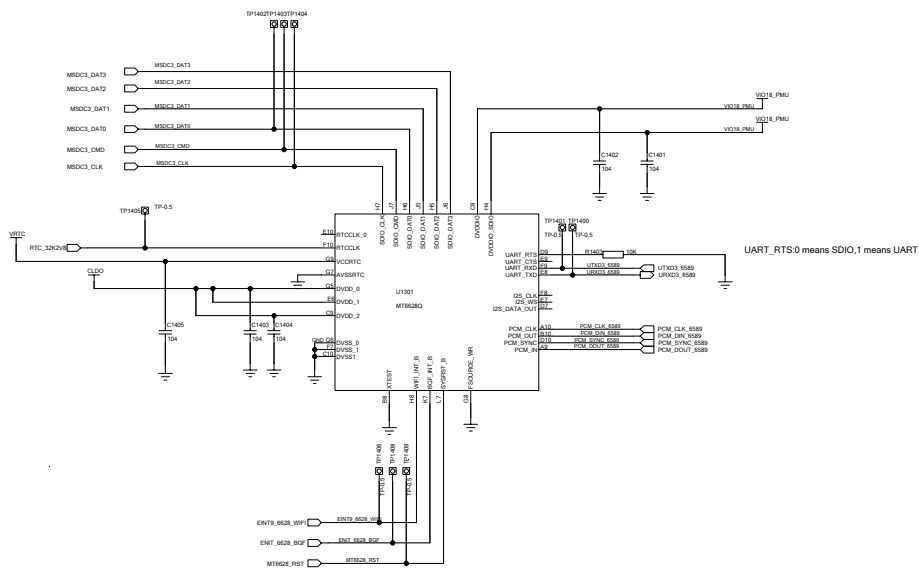
Version	Date	Name	Change Note

	签名	日期	机型:
设计			板号:
审核			第3张 共13张 版次: 0.0
标准化			
批准			



1 2 3 4 5 6

# MT6628 GPIO



UART\_RTS:0 means SDIO,1 means UART

Drawn By	Sign	Date	Type
Drawn By	85		Draw No: 212079
Checked By	85	8/8/2018	Drawn By: 85 18 MT6628_Q170307PAGE 1 Ver
Standard By			
Approved By			



WCDMA B8&GSM900 RX

DCS1800 RX

WCDMA B1

WCDMA B5&GSM850 RX

PCS1900 RX

TX

Note:VXODIG

VXODIG = VIO18-->(VCTCXO or DCXO) + 32 XO

VXODIG = VCTCXO28--> DCXO + 32 Less

Note:Xmode

Xmode = 0 --> VCTCXO

Xmode = VIO18 --> DCXO + 32K XO

Xmode = VCTCXO28 --> DCXO + 32K Less

Note:DCXO\_32KEN

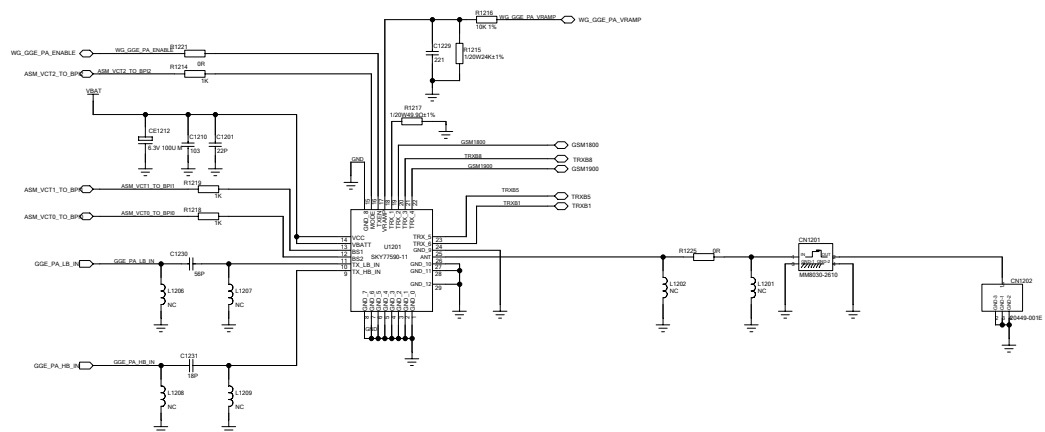
DCXO\_32KEN = 0 , 32K XO

DCXO\_32KEN = VTCXO28 , 32K Less

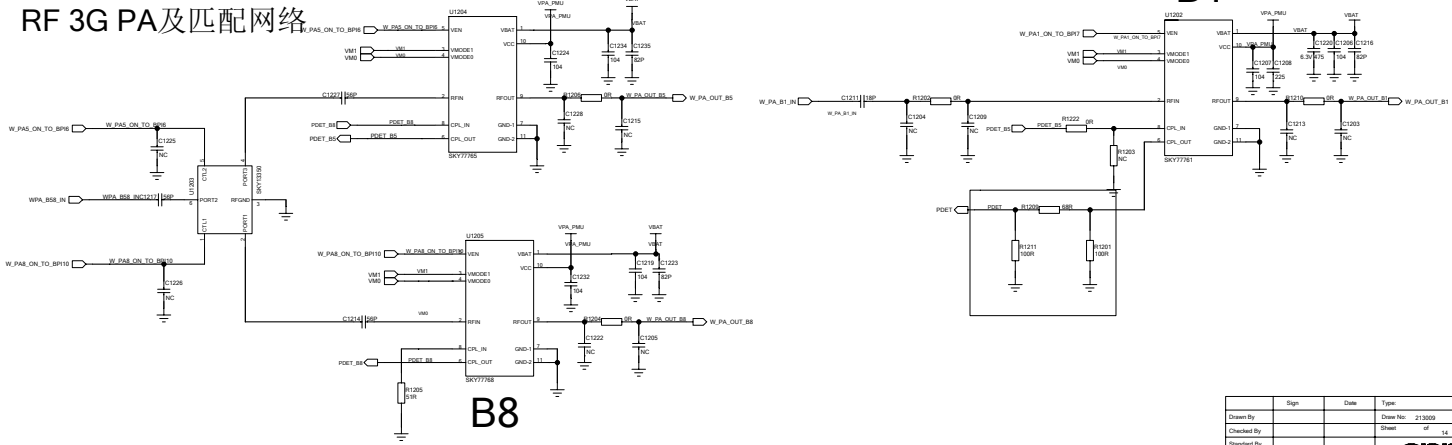
Drawn By	Sign	Date	Type
Checked By			Draw No: 213009
Standard By			Sheet: 14 Ver:
Approved By			



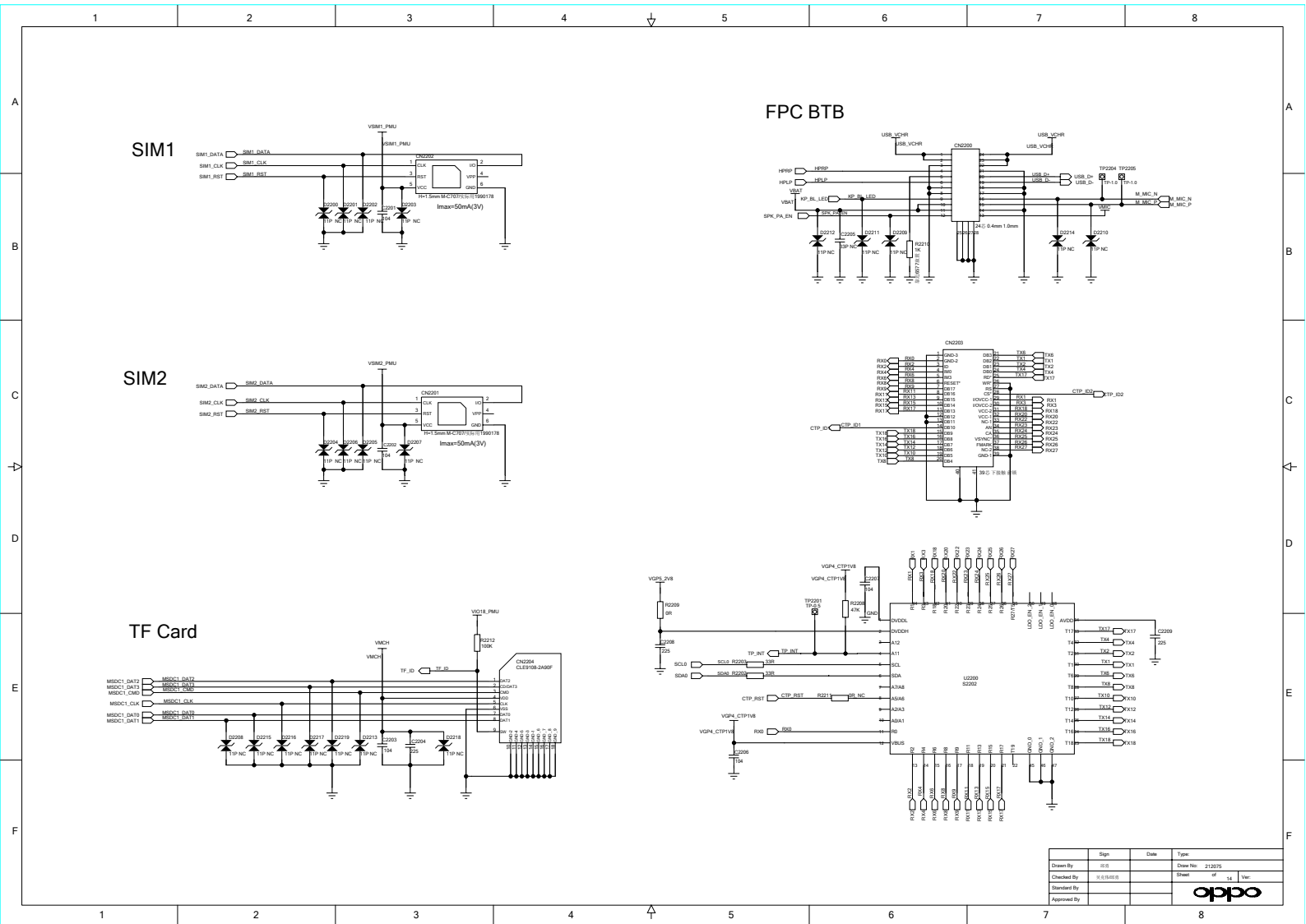
# RF 2G PA及匹配网络



# RF 3G PA及匹配网络



Drawn By	Sign	Date	Type
Checked By		Draw No: 213009	
Standard By		Sheet 14	Ver
Approved By			



Drawn By	Sign	Date	Type
Drawn By	05		Draw No: 212075
Checked By	11/6/2019		Sheet 02 of 14 Ver
Standard By			
Approved By			



	1	2	3	4	5	6	7	8	
A									A
B									B
C									C
D									D
E									E
F									F
	1	2	3	4	5	6	7	8	

Drawn By	Sign	Date	Type
Checked By		Draw No.	Schematic1
Standard By		Sheet	of 1 Ver
Approved By		<b>oppo</b>	